

# NKP-G / NKM-G

## STANDARDISED MONOBLOC PUMPS



IE3 ≥ 0,75 kW

### TECHNICAL DATA

**Rotation speed:** 1450 - 2900 1/min

**Operating range:** from 1 to 460 m<sup>3</sup>/h with head of up to 96 metres

**Pumped liquid:** clean, free of solids and abrasives, non-viscous, non-aggressive, non-crystallised and chemically neutral, with properties similar to water

**Pumped liquid temperature range:** from -10°C to +140°C

**Maximum ambient temperature:** +40 °C

**Maximum operating pressure:** 16 bar - 1600 kPa (for DN 200 max 10 bar)

**Flanging:** PN 16 DIN 2533 - PN 10 DIN 2532 for DN 200

**Protection class:** IP55

**Insulation class:** F

**Standard voltage:** 230/400 V 50 Hz up to 2,2 kW included  
400 V Δ 50 Hz above 2,2 kW

**Installation:** normally in horizontal or vertical position, provided that the motor is always above the pump

**Special executions on requests:** pumps for liquids other than water  
Other voltages and/or frequencies

### APPLICATIONS

Standardised centrifugal monobloc electric pumps with coupling, designed for a wide range of applications, such as:

- Water supply.
- Hot water circulation for the heating system.
- Circulation of cold water for air conditioning and refrigeration systems.
- Transfer of liquids in agricultural, horticultural, and industrial environments.
- Installation of pumping assemblies.

### CONSTRUCTION FEATURES OF THE PUMP

Cast iron single stage spiral body complying with DIN-EN 733 (formerly DIN 24255), cast iron support, flanges complying with DIN 2533, and DIN 2532 for DN 200. Cast iron impeller, closed and dynamically balanced, with compensation of the axial thrust through balancing holes, operation on interchangeable wear rings (on request). AISI 304 stainless steel pump shaft.

Seal device: standardised mechanical seal according to DIN 24960 in carbon/silicon carbide with EPDM OR rings.

### CONSTRUCTION FEATURES OF THE MOTOR

Closed asynchronous type motor with external ventilation, B3/B5 construction, two poles for NKP and four poles for NKM. Rotor running on ball bearings, largely oversized to ensure low noise and durability. For the protection of the motor, we recommend the use of remote overload cut-outs, in compliance with current local regulations. For liquids with densities higher than water, motors with proportionally higher powers are required.

Construction according to the standard: CEI 2-3.

IE2 motors as standard from 0,75 kW - IE3 ≥ 7,5 kW (IE2 ≥ 7,5 kW only outside the EU)

# NKP-G / NKM-G

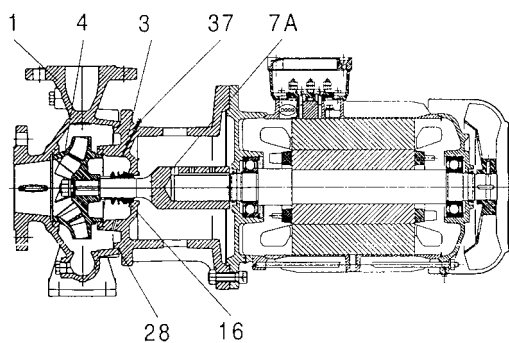
## STANDARDISED MONOBLOC PUMPS

### MATERIALS

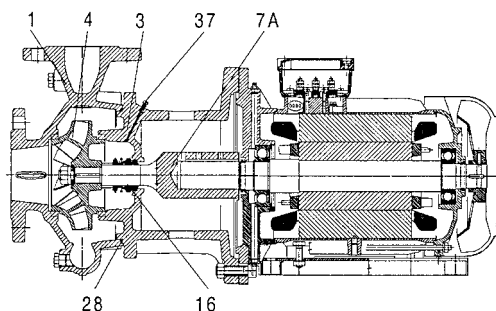
No.	PARTS	MATERIALS (standard version)
1	PUMP BODY	CAST IRON 250 UNI ISO 185
3	SUPPORT	CAST IRON 250 UNI ISO 185
4	IMPELLER	CAST IRON 250 UNI ISO 185
7A	PUMP SHAFT	AISI 304 STAINLESS STEEL - UNI 6900/71
16	MECHANICAL SEAL	CARBON/SILICON CARBIDE - EPDM
28	OR RING	EPDM
31	SEAL SPACER	AISI 304 STAINLESS STEEL - UNI 6900/71
36	SEAL HOLDING DISC	CAST IRON 250 UNI ISO 185
37	BLEED COCK	AISI 304 STAINLESS STEEL - UNI 6900/71

No.	PARTS	MATERIALS (version on request)
4	IMPELLER	BRONZE GCuSn5Zn5Pb5 UNI 7013/8a-72
16	MECHANICAL SEAL	SILICON CARBIDE/SILICON CARBIDE - EPDM SILICON CARBIDE/SILICON CARBIDE - VITON CARBON/SILICON CARBIDE - VITON

VERSION WITH MOTOR UP TO 7,5 KW INCLUDED

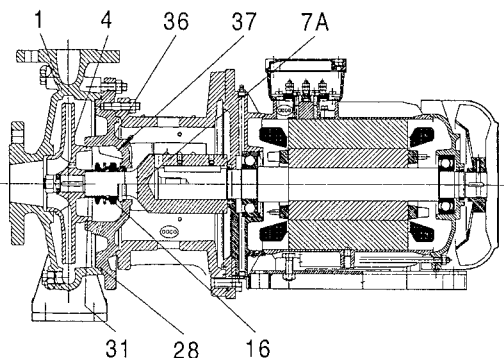


VERSION WITH MOTOR OVER 7,5 KW



VERSION FOR MODELS:

NKM-G 65-315/309/11 /4  
 NKM-G 100-315/316/22 /4, NKM-G125-250/243/15 /4,  
 NKM-G 80-200/200/4 /4,  
 NKM-G 80-250/270/11 /4, NKM-G 80-315/305/15 /4,  
 NKM-G 80-315/320/18.5 /4, NKM-G 80-315/334/22 /4,  
 NKM-G 100-250/250/11 /4, NKM-G 150-200/218/11 /4



# NKP-G / NKM-G

## STANDARDISED MONOBLOC PUMPS

### FLANGE SIZES (mm)

		Nominal diameter (DN)							Nominal diameter (DN)				
		DIN 2533 PN 16							DIN 2533 PN 16				DIN 2533 PN 16
	<b>DN</b>	32	40	50	65			80	100	125	150	200	
	<b>D2</b>	100	110	125	145			160	180	210	240	295	
	<b>D3</b>	140	150	165	185			200	220	250	285	340	
<b>HOLES</b>	<b>Ø</b>	18							18				22
	<b>No.</b>	4							8				8

### - Denomination index: (example)

	NKM	-	G	100	-	200	/	198	/	A	W	/	BAQE	/	5.5	/	4
NKM = 4 poles NKP = 2 poles																	
G = with coupling																	
Nominal diameter of the delivery port:																	
Nominal diameter of the impeller:																	
Actual diameter of the impeller:																	
Material codes: A = Cast iron B = Cast iron with bronze impeller																	
Wear rings (only if present)																	
Seal description																	
Motor power in kW																	
Number of poles 4 = 4 poles 2 = 2 poles																	

### DESCRIPTION OF THE MECHANICAL SEAL

Position	Code	Description of the seal
1	A	O-ring seal with fixed guide
	B	Rubber bellows seal
	C	O-ring seal with spring guide
	D	O-ring seal balanced
	M	Rubber bellows seal
	X	Metal bellows seal
Position	Code	Materials
2 & 3	A	Impregnated carbon/metal
	B	Impregnated carbon/resin
	C	Other carbon types
	S	Chromium steel
	U	Tungsten carbide
	Q	Silicon carbide
	V	Aluminium oxide (ceramic)
	X	Other ceramic types
Position	Code	Materials
4	P	Nitrile rubber (NBR)
	S	Silicon rubber
	T	Teflon (PTFE)
	E	EPDM
	V	Viton
	M	PTFE coated O-ring
Position	Code	Materials
5	V	Reinforced

# NKP-G / NKM-G

## STANDARDISED MONOBLOC PUMPS

### PRODUCT CODE DESCRIPTION

NOMINAL DIAMETER OF THE IMPELLER	Cod.
125	1
160	2
200	3
250	4
315	5
125.1	K
160.1	L
200.1	M

PUMP TYPE	Cod.
32	1
40	2
50	3
65	4
80	5
100	6
125	7
150	8

IDENTIFICATION	Cod.
DAB PUMPS S.p.A.	D

IDENTIFICATION	Cod.
DAB PUMPS S.p.A.	1

Cod.	PUMP/IMPELLER MATERIALS
1	A (01) = cast iron/cast iron
2	B (03) = cast iron/bronze
5	A (01) + Wr*
6	B (03) + Wr*

\* With wear rings

Cod.	SEAL DEVICE
1	BAQE
5	BQQV*
7	BAQV*
G	BQQE*

\* On request

Cod.	CODE PUMP TYPE
B	NKM-G / NKP-G 50 Hz
C	NKM-G / NKP-G 60 Hz

Cod.	P2 NOMINAL KW
1	0.37
2	0.55
3	0.75
4	1.1
5	1.5
6	2.2
7	3
8	4
9	5.5
A	7.5
B	11
C	15
D	18.5
E	22
F	30

Cod.	VOLTAGE	Poles
0	Without motor	
1	3 x 220-240/380-415 V 50 Hz (<0,75 kW) 3 x 220-277/380-480 V 60 Hz	2
2	3 x 380-480 V 60 Hz	2
3	3 x 220-240/380-415 V 50 Hz (<0,75 kW) 3 x 220-277/380-480 V 60 Hz	4
4	3 x 380-480 V 60 Hz	4
A	3 x 220-240/380-415 V 50 Hz - IE2	2
B	3 x 380-415 V 50 Hz - IE2	2
C	3 x 220-240/380-415 V 50 Hz - IE2	4
D	3 x 380-415 V 50 Hz - IE2	4
U	3 x 220-240/380-415 V 50 Hz - IE3	2
V	3 x 380-415 V 50 Hz - IE3	2
W	3 x 220-240/380-415 V 50 Hz - IE3	4
X	3 x 380-415 V 50 Hz - IE3	4

Product code

1	D	1	1	1	1	B	1	1
---	---	---	---	---	---	---	---	---

# NKP-G RANGE - 2 POLES

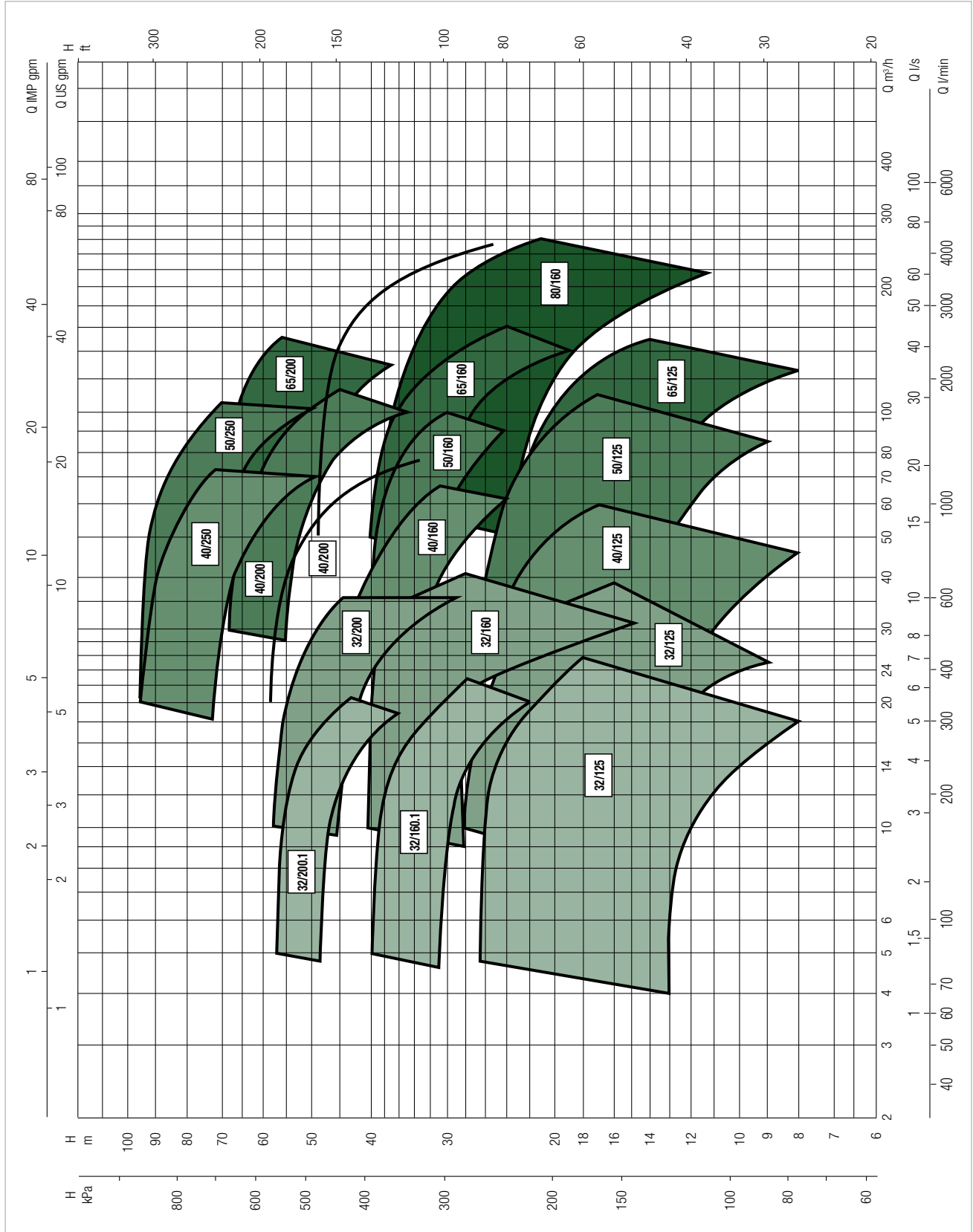
STANDARDISED MONOBLOC PUMPS

## PERFORMANCE RANGE

The performance curves are based on kinematic viscosity values = 1 mm<sup>2</sup>/s and density equal to 1000 kg/m<sup>3</sup>. Curve tolerance according to ISO 9906.

### GRAPHIC SELECTION TABLE

≈ 2900 1/min



# NKP-G - 2 POLES

## STANDARDISED MONOBLOC PUMPS

### SELECTION TABLE - NKP-G 32

MODEL	Q=m <sup>3</sup> /h	0	6	12	18	24	30	36	42
	Q=l/min	0	100	200	300	400	500	600	700
NKP-G 32-125.1/102/0,75/2	H (m)	13	12,5	11	8				
NKP-G 32-125.1/115/1,1/2		17,2	17	15	12,5				
NKP-G 32-125.1/125/1,5/2		21	20,8	19	16,8				
NKP-G 32-125.1/140/2,2/2		27	26,9	25,9	23	19,5			
NKP-G 32-125/110/1,1/2		15,8	15,2	14,5	12,9	9,9			
NKP-G 32-125/120/1,5/2		19,3	18,9	18,2	16,8	14,5			
NKP-G 32-125/130/2,2/2		23,6	23,1	23	21,6	19,6	16,8		
NKP-G 32-125/142/3/2		28,6	28	27,6	26,5	24,6	21,8	17,9	
NKP-G 32-160.1/155/2,2/2		31,7	32,4	31	26,7				
NKP-G 32-160.1/166/3/2		36,7	37,3	36,3	32,8	27			
NKP-G 32-160.1/177/4/2		42,7	43,4	42,6	38,5	33,9			
NKP-G 32-160/151/3/2		30,5	30	29	27	24	19,5		
NKP-G 32-160/163/4/2		36,2	36	35	33,5	30,5	27	22	
NKP-G 32-160/177/5,5/2		43,5	43,2	42,6	41,5	39	36	31,5	25,5
NKP-G 32-200.1/188/4/2		45,3	44,4	40,8	34,4	26,8			
NKP-G 32-200.1/205/5,5/2		56,6	55,7	52	45,8	36,2			
NKP-G 32-200/190/5,5/2		46,9	46,5	45	43	40	35	29	
NKP-G 32-200/210/7,5/2		58,8	58	57	56	53	49	44	

### SELECTION TABLE - NKP-G 40

MODEL	Q=m <sup>3</sup> /h	0	6	12	18	24	30	36	42	48	54	60	66	72
	Q=l/min	0	100	200	300	400	500	600	700	800	900	1000	1100	1200
NKP-G 40-125/107/1,5/2	H (m)	14,7	14,5	14,3	13,8	13	11,8	10,5	8,6	7				
NKP-G 40-125/120/2,2/2		19	18,7	18,4	17,8	17	15,9	14,6	13	11				
NKP-G 40-125/130/3/2		22,8	22,5	22,3	22	21,2	20,2	19	17,4	15,5	13,5			
NKP-G 40-125/139/4/2		26,4	26,2	26	25,6	25	24	23	21,5	19,5	17,5	15		
NKP-G 40-160/158/5,5/2		33,7			34	33,4	32,4	31	29,5	27	24			
NKP-G 40-160/172/7,5/2		40,7			40,2	40,1	39,8	38,5	37,5	35,5	33	30	26,5	
NKP-G 40-200/210/11/2		57,1	57	57	56,8	56,5	56	55	53	50	47	43,5	39	
NKP-G 40-250/230/15/2		72,5			72,5	72	70	68	66	62,5	60	56	51,5	
NKP-G 40-250/245/18,5/2		83			83	82,5	81,5	80	77	74	71,5	67,5	63,5	58,5
NKP-G 40-250/260/22/2		96			95	94,5	93,5	92	90	87,5	84	81	76,5	71,5

# NKP-G - 2 POLES

## STANDARDISED MONOBLOC PUMPS

### SELECTION TABLE - NKP-G 50

MODEL	Q=m <sup>3</sup> /h	0	6	12	18	24	30	36	42	48	54	60	66	72	78	84	90	102	114
	Q=l/min	0	100	200	300	400	500	600	700	800	900	1000	1100	1200	1300	1400	1500	1700	1900
NKP-G 50-125/115/3/2	H (m)	17				16,5	16	15,5	15	14,5	13,7	13	12	11	10	9			
NKP-G 50-125/125/4/2		20,5				20	19,5	19,1	18,5	18	17,5	16,5	15,8	14,8	14	12,5	11,5		
NKP-G 50-125/135/5,5/2		24				23,6	23,5	23,2	22,8	22,2	21,5	21	20	19,1	18,5	17,5	16,5	13,4	
NKP-G 50-125/144/7,5/2		28				27,8	27,5	27,3	27	26,5	25,8	25,3	24,5	23,5	23	21,5	20,5	18	15,5
NKP-G 50-160/153/7,5/2		31,9				31,5	31,5	31,5	31,2	31	30,5	29,5	28,5	27,5	26	25	23,5		
NKP-G 50-160/169/11/2		39,6					39,5	39,3	39,1	39	38,5	38	37,2	36,5	35	34	32,5		
NKP-G 50-200/200/15/2		55,1					54,7	54,6	54	53,5	52	51	49	47,5	45,5	43	41		
NKP-G 50-200/210/18,5/2		61,7					61,7	61,6	61,5	60,5	59	58	56,5	55	53	51	48,5	43	
NKP-G 50-200/219/22/2		67,7					67,5	67,4	66,5	66	65,5	64	62,5	61	59,5	57	55	50	
NKP-G 50-250/230/22/2		73,6					73,2	73,1	72,8	72	71	68,5	67	65	62,5	60	57	49	
NKP-G 50-250/257/30/2		93					92,5	92,3	92	91,5	91	89	87,5	86	83	81	78	72	

### SELECTION TABLE - NKP-G 65

MODEL	Q=m <sup>3</sup> /h	0	6	12	18	24	30	36	42	48	54	60	66	72	78	84	90	102	114	120	150
	Q=l/min	0	100	200	300	400	500	600	700	800	900	1000	1100	1200	1300	1400	1500	1700	1900	2200	2500
NKP-G 65-125/120-110/4/2	H (m)	16						15	14,6	14,2	13,7	13,3	12,8	12,3	12	11,4	10	8,5	8		
NKP-G 65-125/127/5,5/2		19,5						19	18,9	18,7	18,4	18,1	17,5	17,2	16,9	16,5	15,8	14,5	13	12	
NKP-G 65-125/137/7,5/2		23,5						23,1	23	22,8	22,6	22,5	22	21,6	21,1	20,7	20,2	19	17,5	14,8	12
NKP-G 65-160/157/11/2		32,5								32,3	32	31,9	31,3	30,2	30	29,2	28,7	27	24,8	23,6	
NKP-G 65-160/173/15/2		40,1								39,7	39,6	39,5	39,5	39	38,5	38,2	37,5	36	34,5	33,5	26,9
NKP-G 65-200/190/18,5/2		51,1								51	50,8	50,5	50	49	48,5	48	47,5	45	42,5	41	
NKP-G 65-200/200/22/2		56,4								56,1	56,1	56	55,8	55,5	55	54,8	54,5	53	51	49	
NKP-G 65-200/219/30/2		68,9								68,8	68,8	68,7	68,7	68,6	68,5	68,4	67,5	66	64	63,1	57

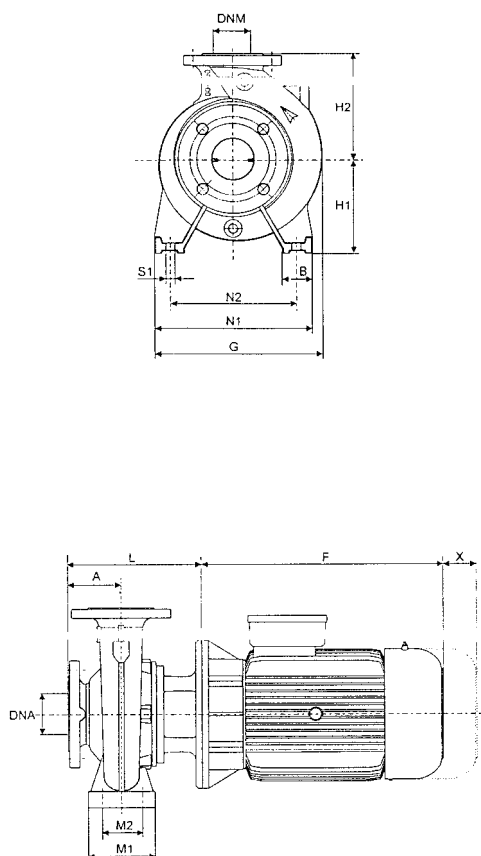
### SELECTION TABLE - NKP-G 80

MODEL	Q=m <sup>3</sup> /h	0	6	12	18	24	30	36	42	48	54	60	66	72	78	84	90	102	114	120	150	180	210	240	
	Q=l/min	0	100	200	300	400	500	600	700	800	900	1000	1100	1200	1300	1400	1500	1700	1900	2200	2500	3000	3500	4000	
NKP-G 80-160/147-127/11/2	H (m)	24															22	21,4	20,4	20	17,4	16,8	12		
NKP-G 80-160/153/15/2		30,5																29	28,4	27,5	27	24,5	21,3	18,3	
NKP-G 80-160/163/18,5/2		35,5																34,3	33,6	32,6	32,3	29,8	26,8	23,6	20
NKP-G 80-160/169/22/2		38,5																37,2	36,8	36	35,8	33,5	30,8	27,5	24
NKP-G 80-200/190/30/2		48,3																47,9	47,6	47,5	47,3	44,7	41	36	29

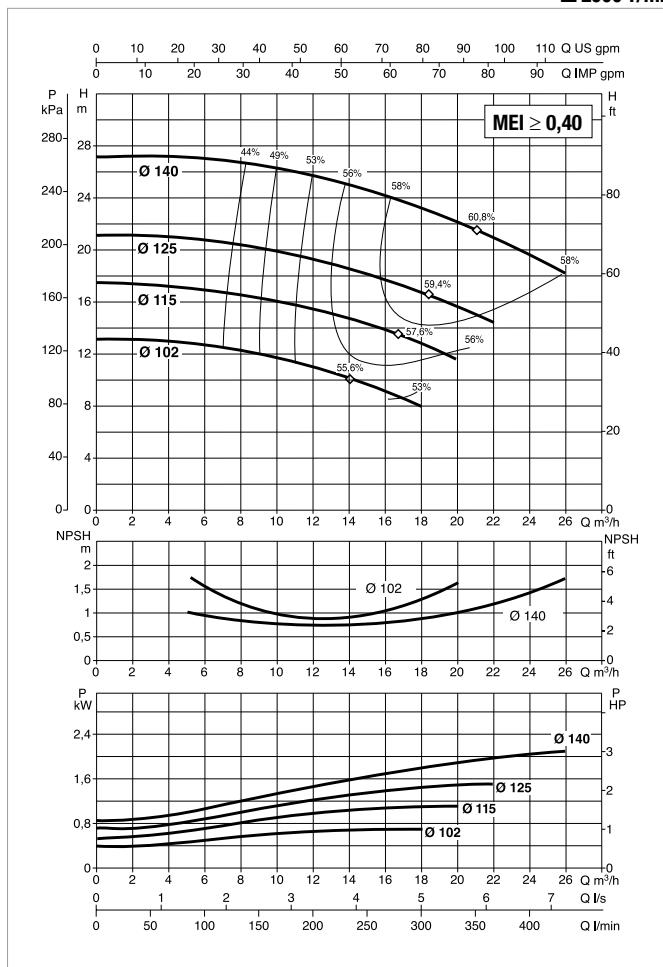
# NKP-G 32-125.1 - 2 POLES - STANDARDISED MONOBLOC PUMPS

Pumped liquid temperature range: from -10 °C to +140 °C - Maximum ambient temperature: +40°C

≅ 2900 1/min



Construction features of the motor: B5



For MEI index refer to the hydraulic efficiency section.

The performance curves are based on kinematic viscosity values = 1 mm<sup>2</sup>/s and density equal to 1000 kg/m<sup>3</sup>. Curve tolerance according to ISO 9906.

MODEL	ELECTRICAL DATA						
	MOTOR SIZE	POWER INPUT 50 Hz	P2 NOMINAL		In A		MOTOR TYPE
			kW	HP	230 V	400 V	
NKP-G 32-125.1/102/0,75/2	MEC 80	3 x 230 - 400 V ~	0,75	1	2,9	1,7	IE3
NKP-G 32-125.1/115/1,1/2	MEC 80	3 x 230 - 400 V ~	1,1	1,5	4,2	2,4	IE3
NKP-G 32-125.1/125/1,5/2	MEC 90 S	3 x 230 - 400 V ~	1,5	2	5,2	3	IE3
NKP-G 32-125.1/140/2,2/2	MEC 90 L	3 x 230 - 400 V ~	2,2	3	7,97	4,6	IE3

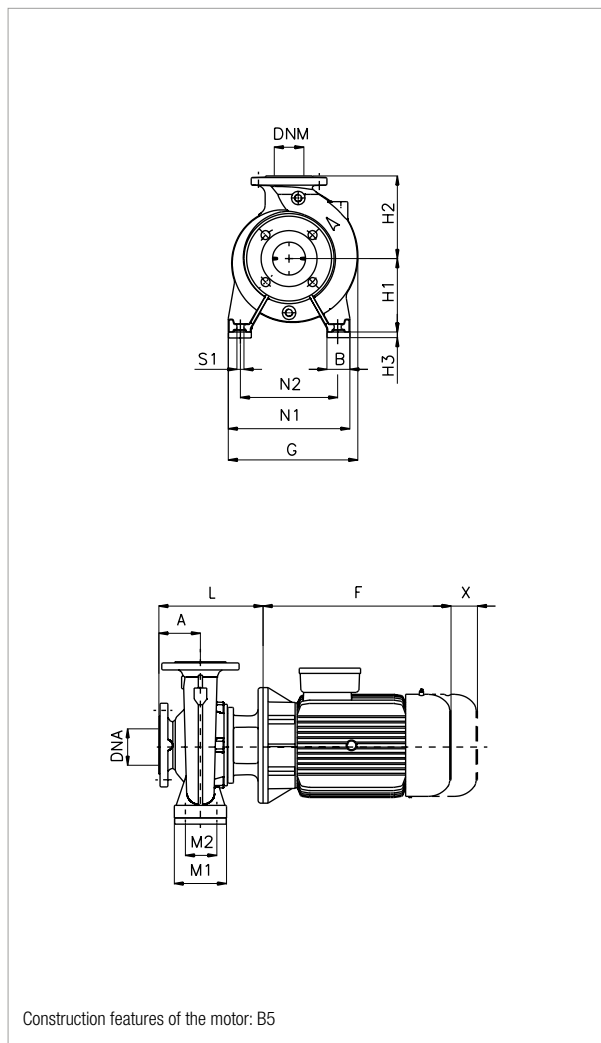
MODEL	A	B	E	F	G	H1	H2	L	M1	M2	N1	N2	N3	S1	S2	W	X	H3	H4	Ø (mm) Mech. seal	DNA	DNM	PACKING DIMENSIONS			VOLUME (m <sup>3</sup> )	WEIGHT Kg
																							L/A	L/B	H		
NKP-G 32-125.1/102/0,75/2	80	50	-	232	234	112	140	226	100	70	190	140	-	M10	-	-	100	-	-	28	50	32	620	370	480	0,11	30
NKP-G 32-125.1/115/1,1/2	80	50	-	232	234	112	140	226	100	70	190	140	-	M10	-	-	100	-	-	28	50	32	620	370	480	0,11	31
NKP-G 32-125.1/125/1,5/2	80	50	-	287,5	234	112	140	226	100	70	190	140	-	M10	-	-	100	-	-	28	50	32	620	370	480	0,11	33
NKP-G 32-125.1/140/2,2/2	80	50	-	287,5	234	112	140	226	100	70	190	140	-	M10	-	-	100	-	-	28	50	32	620	370	480	0,11	34



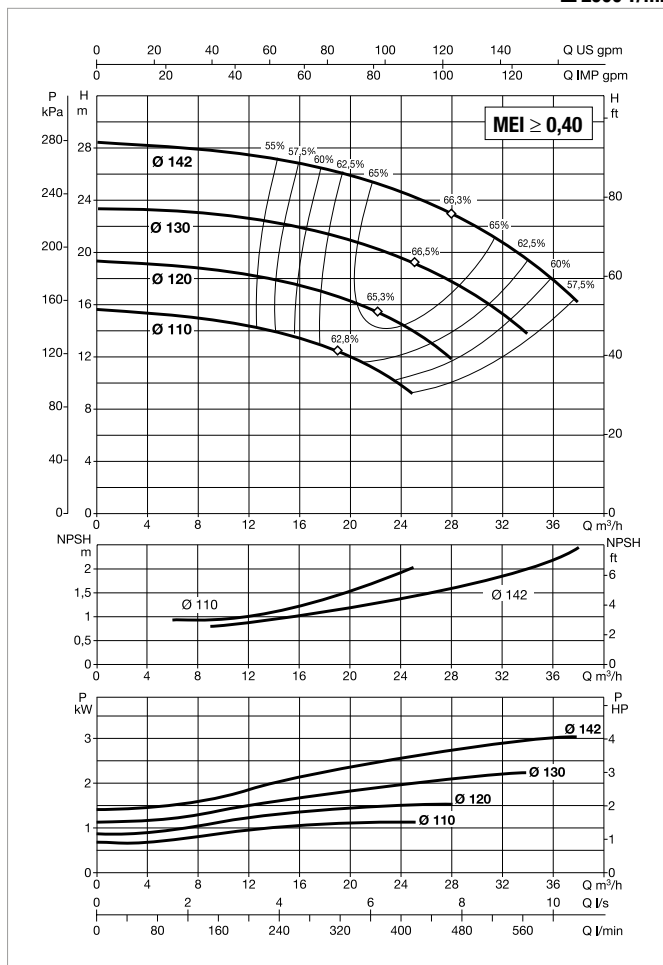
# NKP-G 32-125 - 2 POLES - STANDARDISED MONOBLOC PUMPS

Pumped liquid temperature range: from -10 °C to +140 °C - Maximum ambient temperature: +40°C

≅ 2900 1/min



Construction features of the motor: B5



For MEI index refer to the hydraulic efficiency section.

The performance curves are based on kinematic viscosity values = 1 mm²/s and density equal to 1000 kg/m³. Curve tolerance according to ISO 9906.

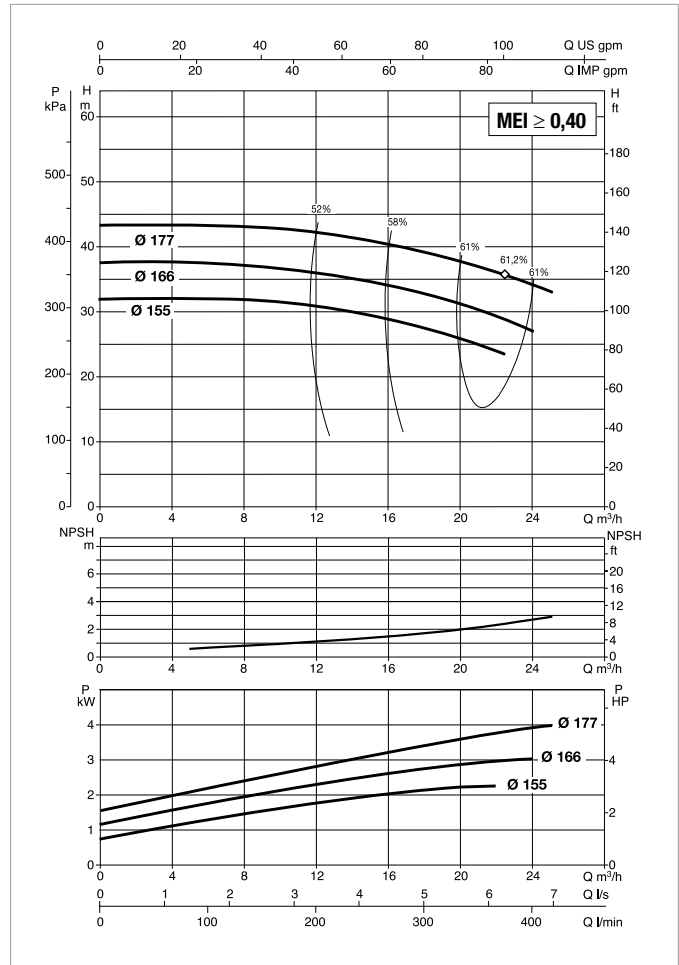
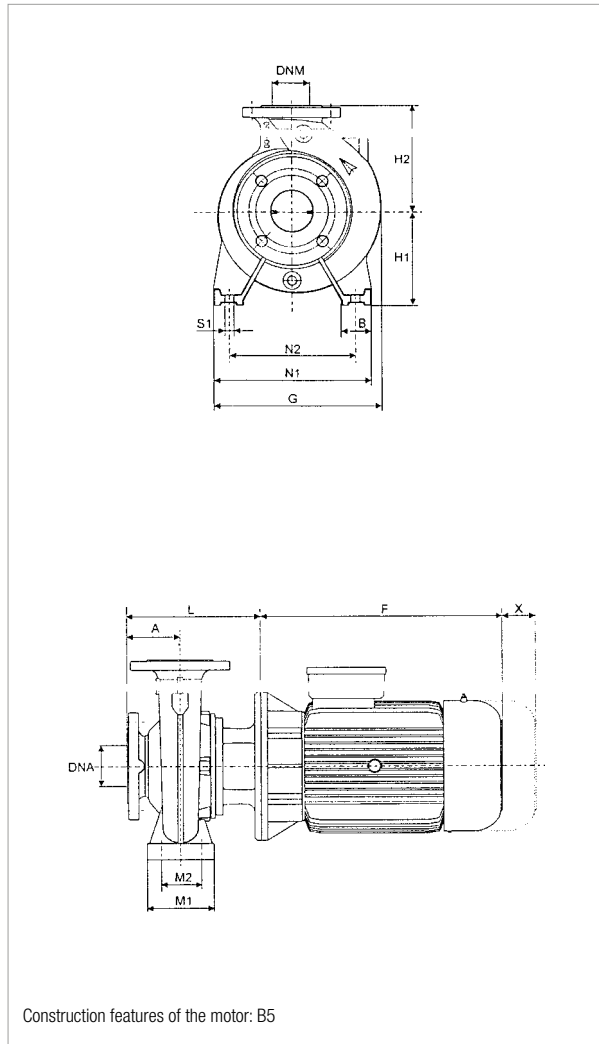
MODEL	ELECTRICAL DATA						
	MOTOR SIZE	POWER INPUT 50 Hz	P2 NOMINAL		In A		MOTOR TYPE
			kW	HP	230 V	400 V	
NKP-G 32-125/110/1,1/2	MEC 80	3 x 230 - 400 V ~	1,1	1,5	4,2	2,4	IE3
NKP-G 32-125/120/1,5/2	MEC 90 S	3 x 230 - 400 V ~	1,5	2	5,2	3	IE3
NKP-G 32-125/130/2,2/2	MEC 90 L	3 x 230 - 400 V ~	2,2	3	7,97	4,6	IE3
NKP-G 32-125/142/3/2	MEC 100 L	3 x 400 V ~	3	4	-	5,6	IE3

MODEL	A	B	E	F	G	H1	H2	L	M1	M2	N1	N2	N3	S1	S2	W	X	H3	H4	Ø (mm) Mech. seal	DNA	DNM	PACKING DIMENSIONS			VOLUME (m³)	WEIGHT Kg
																							L/A	L/B	H		
NKP-G 32-125/110/1,1/2	80	50	-	232	234	112	140	226	100	70	190	140	-	M10	-	-	100	-	-	28	50	32	620	370	480	0,11	28
NKP-G 32-125/120/1,5/2	80	50	-	287,5	234	112	140	226	100	70	190	140	-	M10	-	-	100	-	-	28	50	32	620	370	480	0,11	32
NKP-G 32-125/130/2,2/2	80	50	-	287,5	234	112	140	226	100	70	190	140	-	M10	-	-	100	-	-	28	50	32	620	370	480	0,11	34
NKP-G 32-125/142/3/2	80	50	-	319	250	112	140	254	100	70	190	140	-	M10	-	-	100	20	-	28	50	32	670	420	540	0,152	48

# NKP-G 32-160.1 - 2 POLES - STANDARDISED MONOBLOC PUMPS

Pumped liquid temperature range: from -10 °C to +140 °C - Maximum ambient temperature: +40°C

≅ 2900 1/min



For MEI index refer to the hydraulic efficiency section.

The performance curves are based on kinematic viscosity values = 1 mm²/s and density equal to 1000 kg/m³. Curve tolerance according to ISO 9906.

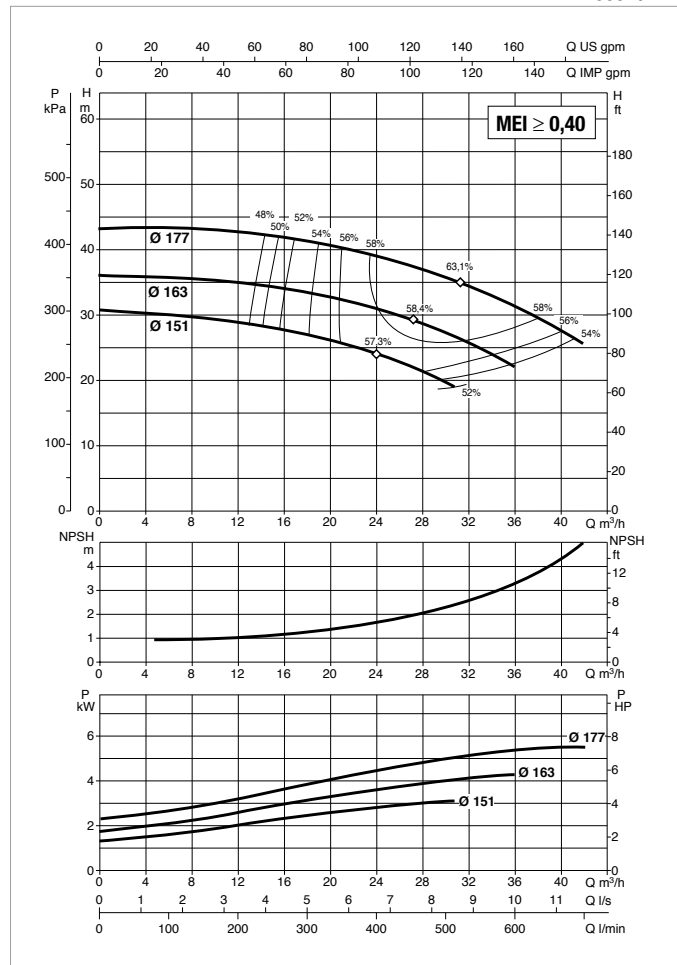
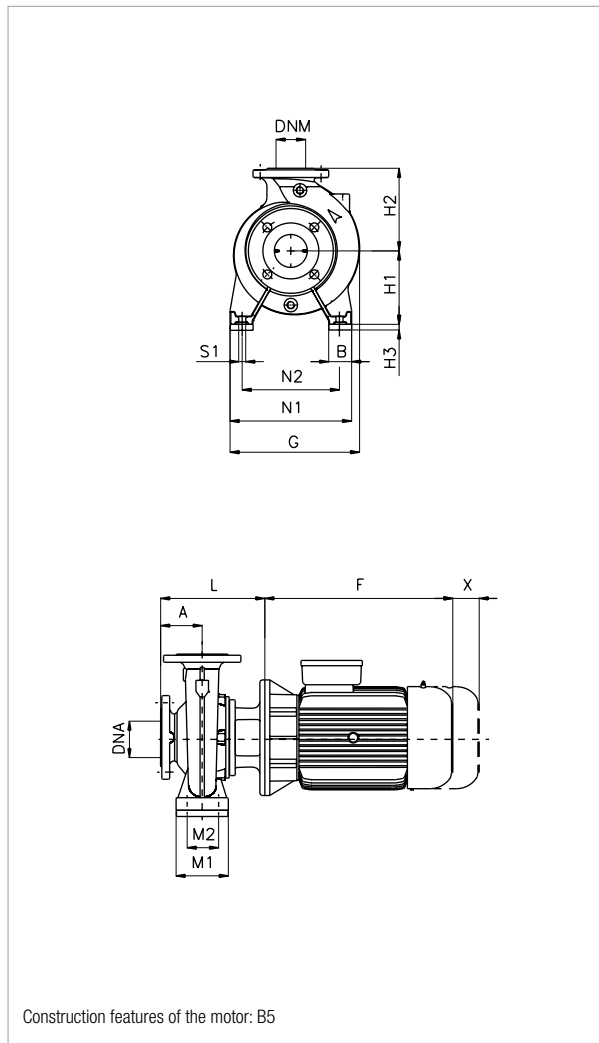
MODEL	MOTOR SIZE	POWER INPUT 50 Hz	ELECTRICAL DATA				MOTOR TYPE
			P2 NOMINAL		In A		
			kW	HP	230 V	400 V	
NKP-G 32-160.1/155/2,2/2	MEC 90 L	3 x 230 - 400 V ~	2,2	3	7,97	4,6	IE3
NKP-G 32-160.1/166/3/2	MEC 100 L	3 x 400 V ~	3	4	-	5,6	IE3
NKP-G 32-160.1/177/4/2	MEC 112 M	3 x 400 V ~	4	5,5	-	8,2	IE3

MODEL	A	B	E	F	G	H1	H2	L	M1	M2	N1	N2	N3	S1	S2	W	X	H3	H4	Ø (mm) Mech. seal	DNA	DNM	PACKING DIMENSIONS			VOLUME (m³)	WEIGHT Kg
																							L/A	L/B	H		
NKP-G 32-160.1/155/2,2/2	80	50	-	287,5	245	132	160	226	100	70	240	190	-	M10	-	-	100	-	-	28	50	32	620	370	480	0,11	35
NKP-G 32-160.1/166/3/2	80	50	-	319	250	132	160	254	100	70	240	190	-	M10	-	-	100	-	-	28	50	32	670	420	540	0,152	42
NKP-G 32-160.1/177/4/2	80	50	-	306	250	132	160	254	100	70	240	190	-	M10	-	-	100	-	-	28	50	32	670	420	540	0,152	59

# NKP-G 32-160 - 2 POLES - STANDARDISED MONOBLOC PUMPS

Pumped liquid temperature range: from -10 °C to +140 °C - Maximum ambient temperature: +40°C

≅ 2900 1/min



For MEI index refer to the hydraulic efficiency section.

The performance curves are based on kinematic viscosity values = 1 mm<sup>2</sup>/s and density equal to 1000 kg/m<sup>3</sup>. Curve tolerance according to ISO 9906.

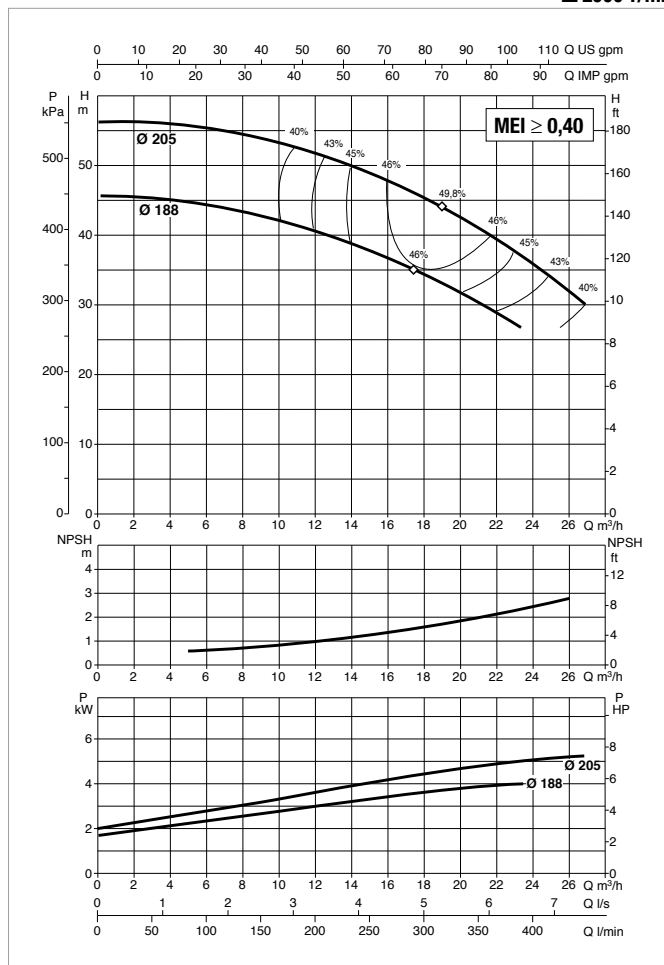
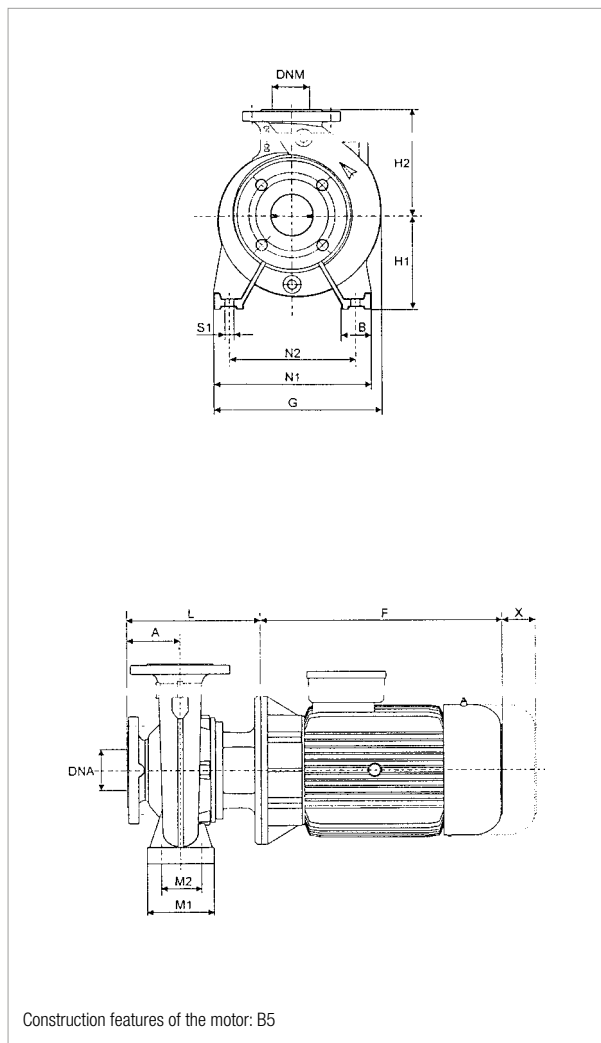
MODEL	ELECTRICAL DATA						
	MOTOR SIZE	POWER INPUT 50 Hz	P2 NOMINAL		In A		MOTOR TYPE
			kW	HP	230 V	400 V	
NKP-G 32-160/151/3/2	MEC 100 L	3 x 400 V ~	3	4	-	5,6	IE3
NKP-G 32-160/163/4/2	MEC 112 M	3 x 400 V ~	4	5,5	-	8,2	IE3
NKP-G 32-160/177/5,5/2	MEC 132 S	3 x 400 V ~	5,5	7,5	-	10,2	IE3

MODEL	A	B	E	F	G	H1	H2	L	M1	M2	N1	N2	N3	S1	S2	W	X	H3	H4	Ø (mm) Mech. seal	DNA	DNM	PACKING DIMENSIONS			VOLUME (m <sup>3</sup> )	WEIGHT Kg
																							L/A	L/B	H		
NKP-G 32-160/151/3/2	80	50	-	319	250	132	160	254	100	70	240	190	-	M10	-	-	100	-	-	28	50	32	670	420	540	0,152	45
NKP-G 32-160/163/4/2	80	50	-	306	250	132	160	254	100	70	240	190	-	M10	-	-	100	-	-	28	50	32	670	420	540	0,152	32
NKP-G 32-160/177/5,5/2	80	50	-	328	300	132	160	293	100	70	240	190	-	M10	-	-	100	20	-	28	50	32	830	430	520	0,186	51

# NKP-G 32-200.1 - 2 POLES - STANDARDISED MONOBLOC PUMPS

Pumped liquid temperature range: from -10 °C to +140 °C - Maximum ambient temperature: +40°C

≅ 2900 1/min



For MEI index refer to the hydraulic efficiency section.

The performance curves are based on kinematic viscosity values = 1 mm²/s and density equal to 1000 kg/m³. Curve tolerance according to ISO 9906.

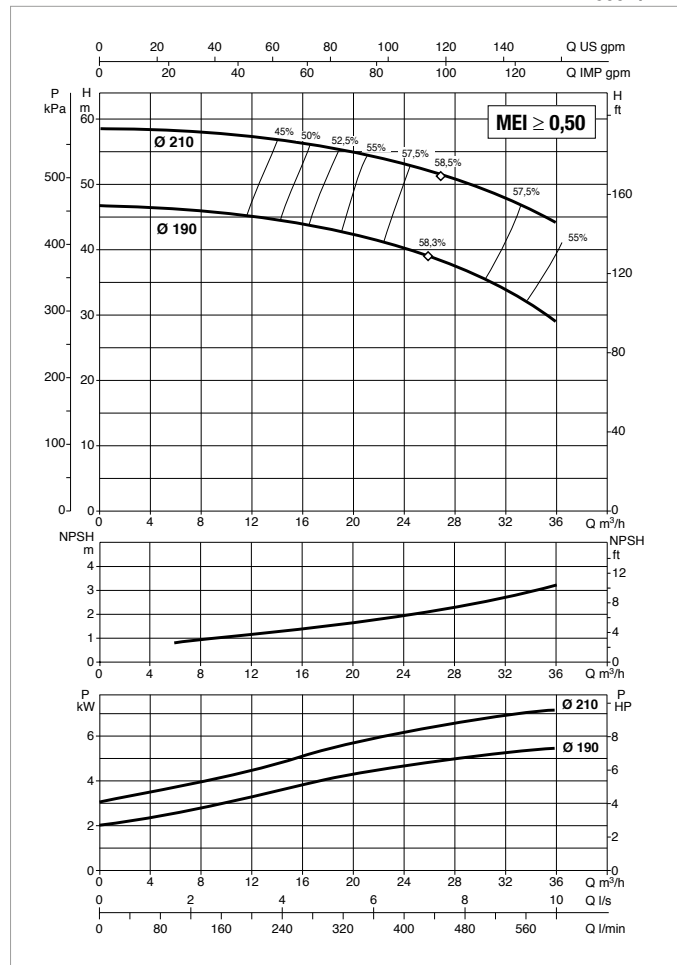
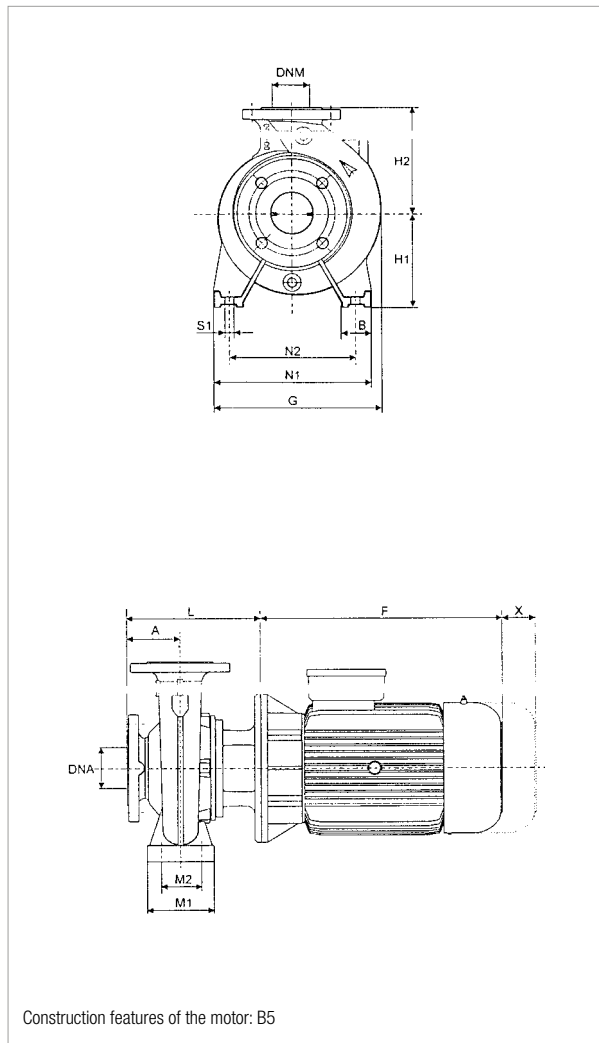
MODEL	ELECTRICAL DATA						
	MOTOR SIZE	POWER INPUT 50 Hz	P2 NOMINAL		In A		MOTOR TYPE
			kW	HP	230 V	400 V	
NKP-G 32-200.1/188/4/2	MEC 112 M	3 x 400 V ~	4	5,5	-	8,2	IE3
NKP-G 32-200.1/205/5,5/2	MEC 132 S	3 x 400 V ~	5,5	7,5	-	10,2	IE3

MODEL	A	B	E	F	G	H1	H2	L	M1	M2	N1	N2	N3	S1	S2	W	X	H3	H4	Ø (mm) Mech. seal	DNa	DNM	PACKING DIMENSIONS			VOLUME (m³)	WEIGHT Kg
																							L/A	L/B	H		
NKP-G 32-200.1/188/4/2	80	50	-	306	279	160	180	254	100	70	240	190	-	M10	-	-	100	-	-	28	50	32	670	420	540	0,152	38
NKP-G 32-200.1/205/5,5/2	80	50	-	328	300	160	180	293	100	70	240	190	-	M10	-	-	100	-	-	28	50	32	830	430	520	0,186	54

# NKP-G 32-200 - 2 POLES - STANDARDISED MONOBLOC PUMPS

Pumped liquid temperature range: from -10 °C to +140 °C - Maximum ambient temperature: +40°C

≈ 2900 1/min



For MEI index refer to the hydraulic efficiency section.

The performance curves are based on kinematic viscosity values = 1 mm²/s and density equal to 1000 kg/m³. Curve tolerance according to ISO 9906.

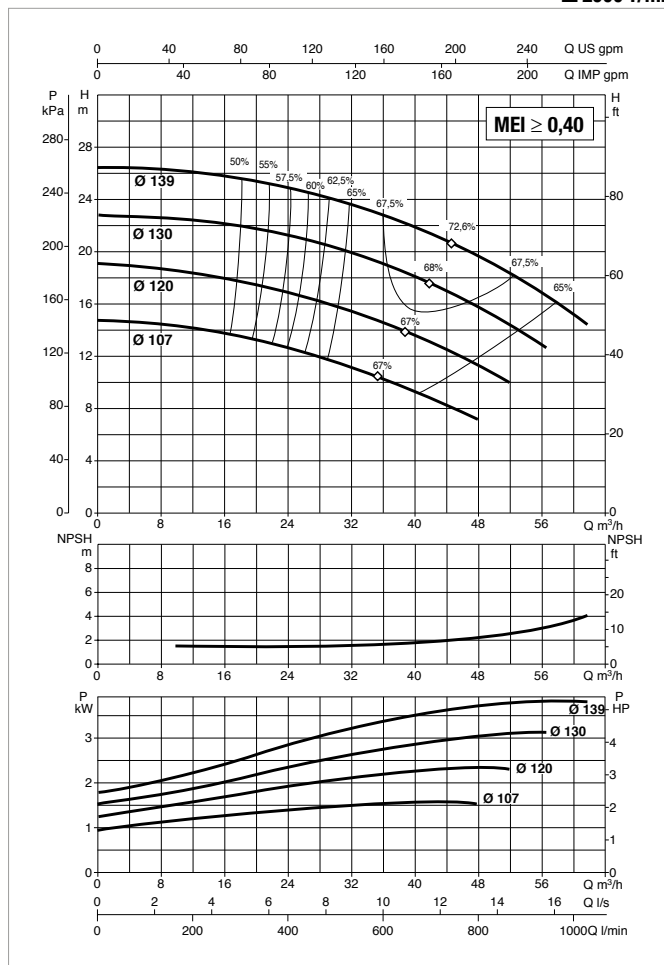
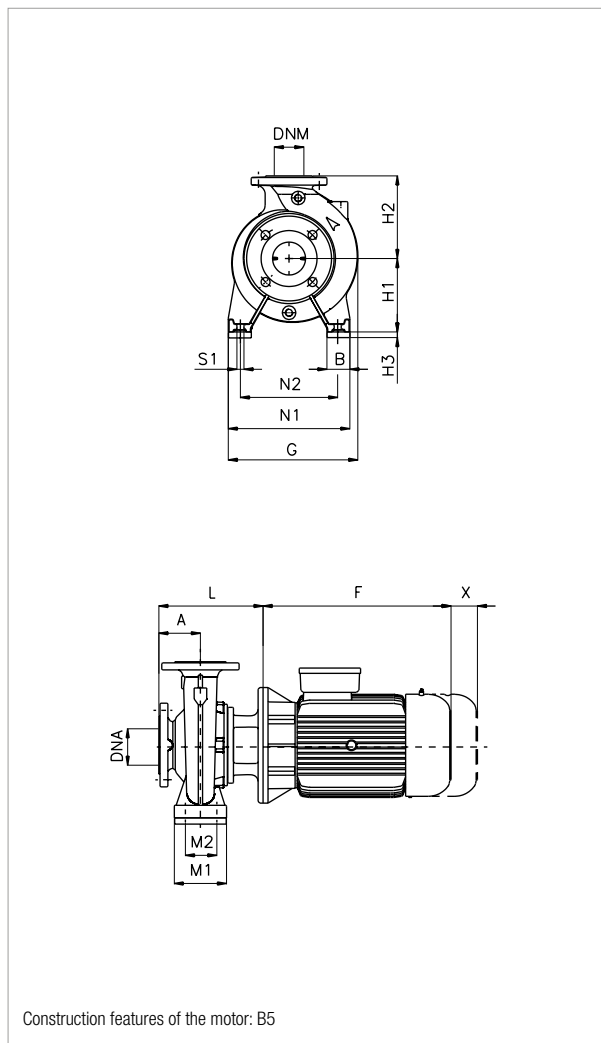
MODEL	ELECTRICAL DATA						
	MOTOR SIZE	POWER INPUT 50 Hz	P2 NOMINAL		In A		MOTOR TYPE
			kW	HP	230 V	400 V	
NKP-G 32-200/190/5,5/2	MEC 132 S	3 x 400 V ~	5,5	7,5	-	10,2	IE3
NKP-G 32-200/210/7,5/2	MEC 132 S	3 x 400 V ~	7,5	10	-	14,4	IE3

MODEL	A	B	E	F	G	H1	H2	L	M1	M2	N1	N2	N3	S1	S2	W	X	H3	H4	Ø (mm) Mech. seal	DNA	DNM	PACKING DIMENSIONS			VOLUME (m³)	WEIGHT Kg
																							L/A	L/B	H		
NKP-G 32-200/190/5,5/2	80	50	-	328	300	160	180	293	100	70	240	190	-	M10	-	-	100	-	-	28	50	32	830	430	520	0,186	57
NKP-G 32-200/210/7,5/2	80	50	-	350	300	160	180	293	100	70	240	190	-	M10	-	-	100	-	-	28	50	32	830	430	520	0,186	96

# NKP-G 40-125 - 2 POLES - STANDARDISED MONOBLOC PUMPS

Pumped liquid temperature range: from -10 °C to +140 °C - Maximum ambient temperature: +40°C

≅ 2900 1/min



For MEI index refer to the hydraulic efficiency section.

The performance curves are based on kinematic viscosity values = 1 mm²/s and density equal to 1000 kg/m³. Curve tolerance according to ISO 9906.

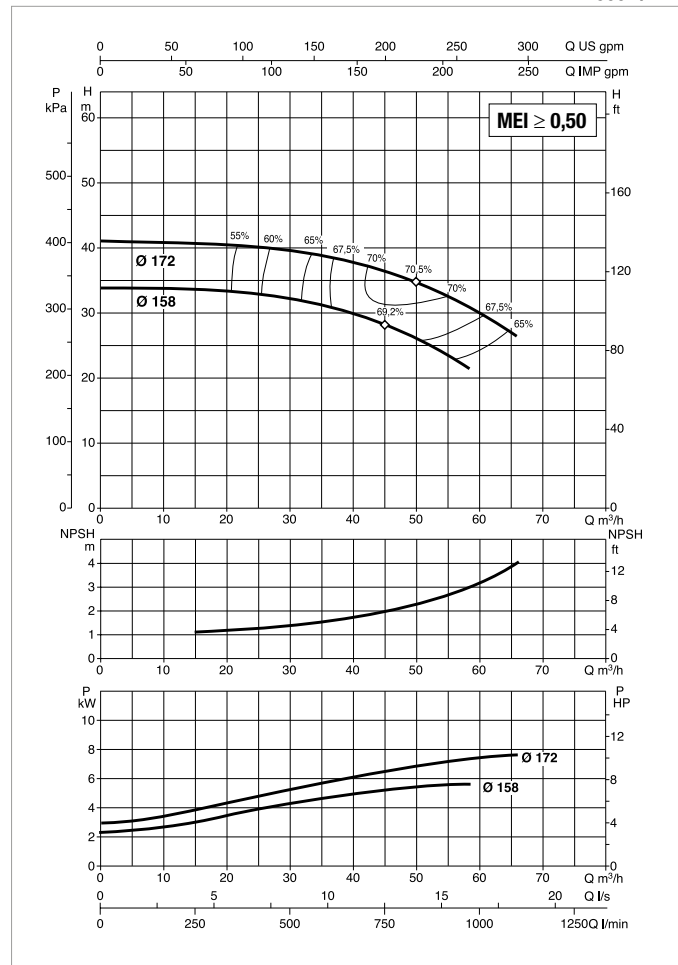
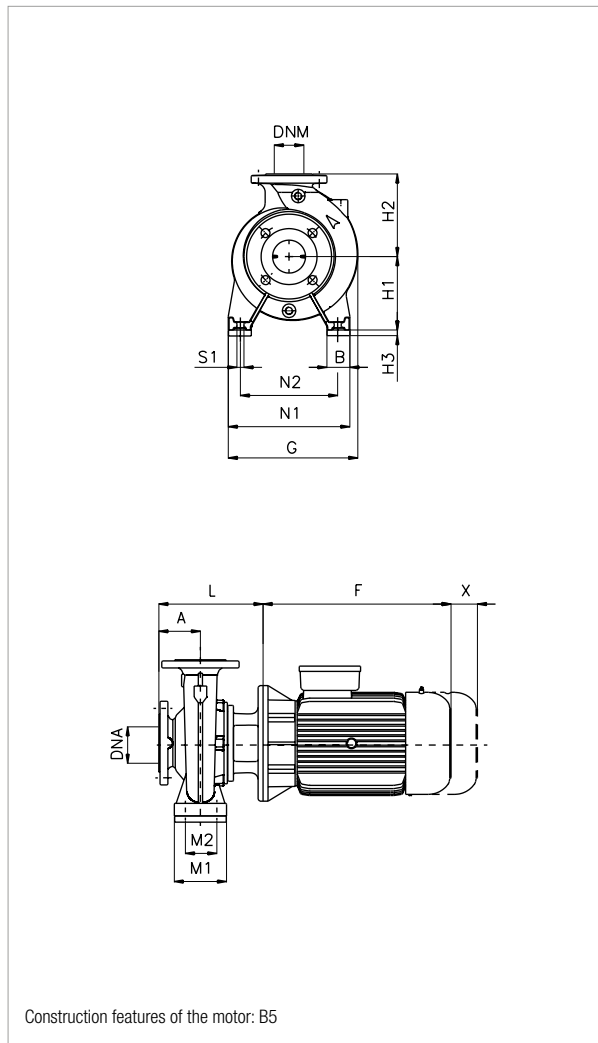
MODEL	ELECTRICAL DATA						
	MOTOR SIZE	POWER INPUT 50 Hz	P2 NOMINAL		In A		MOTOR TYPE
			kW	HP	230 V	400 V	
NKP-G 40-125/107/1,5/2	MEC 90 S	3 x 230 - 400 V ~	1,5	2	5,2	3	IE3
NKP-G 40-125/120/2,2/2	MEC 90 L	3 x 230 - 400 V ~	2,2	3	7,97	4,6	IE3
NKP-G 40-125/130/3/2	MEC 100 L	3 x 400 V ~	3	4	-	5,6	IE3
NKP-G 40-125/139/4/2	MEC 112	3 x 400 V ~	4	5,5	-	8,2	IE3

MODEL	A	B	E	F	G	H1	H2	L	M1	M2	N1	N2	N3	S1	S2	W	X	H3	H4	Ø (mm) Mech. seal	DNA	DNM	PACKING DIMENSIONS			VOLUME (m³)	WEIGHT Kg
																							L/A	L/B	H		
NKP-G 40-125/107/1,5/2	80	50	-	287,5	234	112	140	226	100	70	210	160	-	M10	-	-	100	-	-	28	65	40	620	370	480	0,11	34
NKP-G 40-125/120/2,2/2	80	50	-	287,5	234	112	140	226	100	70	210	160	-	M10	-	-	100	-	-	28	65	40	620	370	480	0,11	36
NKP-G 40-125/130/3/2	80	50	-	319	300	112	140	254	100	70	210	160	-	M10	-	-	100	20	-	28	65	40	670	420	540	0,152	47
NKP-G 40-125/139/4/2	80	50	-	306	300	112	140	254	100	70	210	160	-	M10	-	-	100	20	-	28	65	40	670	420	540	0,152	35

# NKP-G 40-160 - 2 POLES - STANDARDISED MONOBLOC PUMPS

Pumped liquid temperature range: from -10 °C to +140 °C - Maximum ambient temperature: +40°C

≈ 2900 1/min



For MEI index refer to the hydraulic efficiency section.

The performance curves are based on kinematic viscosity values = 1 mm²/s and density equal to 1000 kg/m³. Curve tolerance according to ISO 9906.

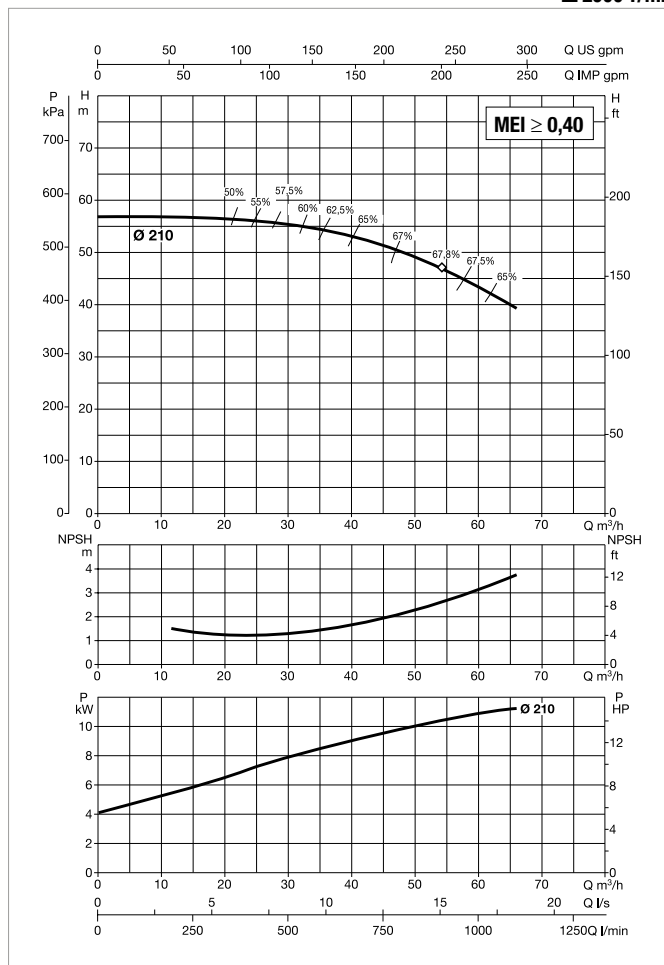
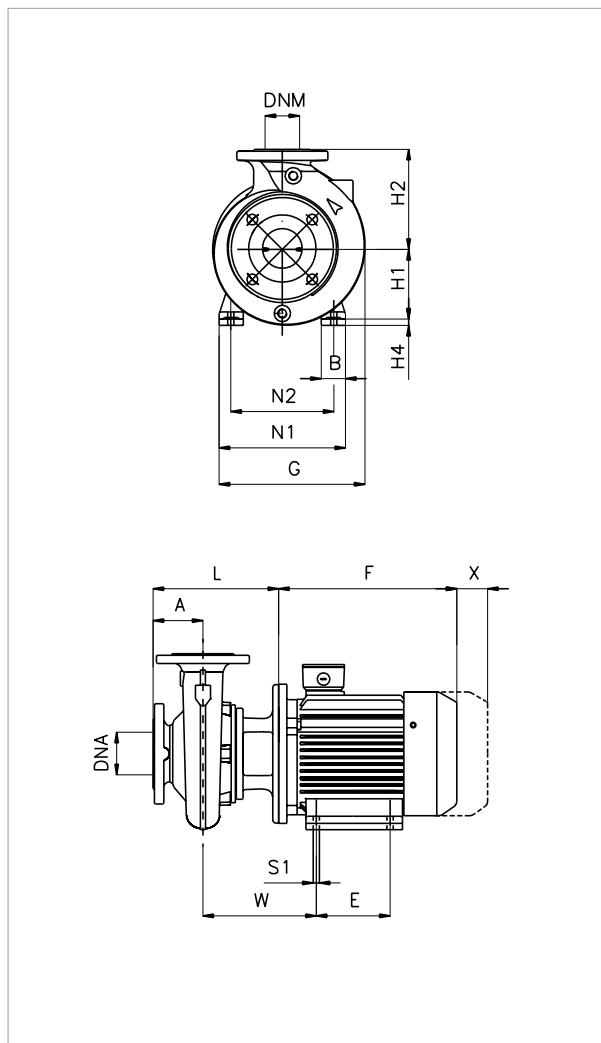
MODEL	ELECTRICAL DATA						
	MOTOR SIZE	POWER INPUT 50 Hz	P2 NOMINAL		In A		MOTOR TYPE
			kW	HP	230 V	400 V	
NKP-G 40-160/158/5,5/2	MEC 132 S	3 x 400 V ~	5,5	7,5	-	10,2	IE3
NKP-G 40-160/172/7,5/2	MEC 132 S	3 x 400 V ~	7,5	10	-	14,4	IE3

MODEL	A	B	E	F	G	H1	H2	L	M1	M2	N1	N2	N3	S1	S2	W	X	H3	H4	Ø (mm) Mech. seal	DNA	DNM	PACKING DIMENSIONS			VOLUME (m³)	WEIGHT Kg
																							L/A	L/B	H		
NKP-G 40-160/158/5,5/2	80	50	-	328	300	132	160	293	100	70	240	190	-	M10	-	-	100	20	-	28	65	40	830	430	520	0,186	51
NKP-G 40-160/172/7,5/2	80	50	-	350	300	132	160	293	100	70	240	190	-	M10	-	-	100	20	-	28	65	40	830	430	520	0,186	90

# NKP-G 40-200 - 2 POLES - STANDARDISED MONOBLOC PUMPS

Pumped liquid temperature range: from -10 °C to +140 °C - Maximum ambient temperature: +40°C

≈ 2900 1/min



**For MEI index refer to the hydraulic efficiency section.**  
 The performance curves are based on kinematic viscosity values = 1 mm<sup>2</sup>/s and density equal to 1000 kg/m<sup>3</sup>. Curve tolerance according to ISO 9906.

MODEL	ELECTRICAL DATA						
	MOTOR SIZE	POWER INPUT 50 Hz	P2 NOMINAL		In A		MOTOR TYPE
			kW	HP	230 V	400 V	
NKP-G 40-200/210/11/2	MEC 160 M	3 x 400 V ~	11	15	-	19,7	IE3

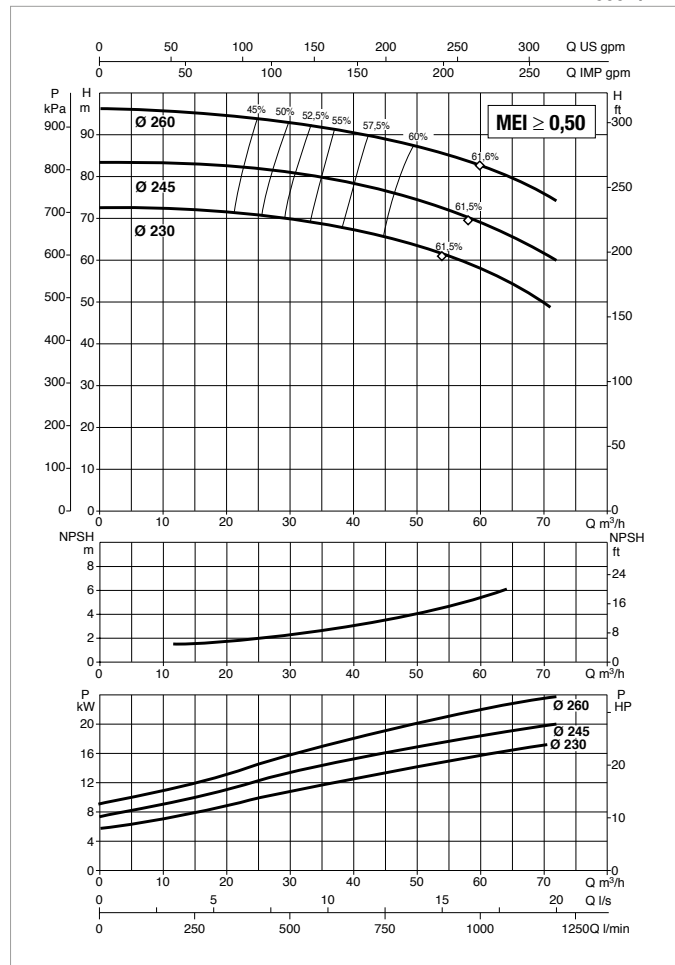
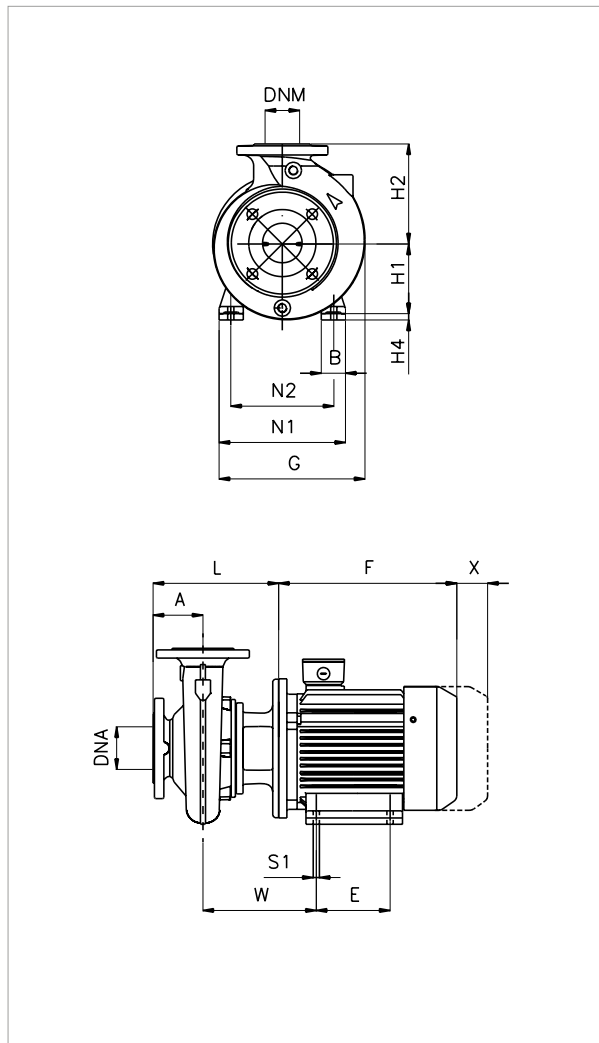
MODEL	A	B	E	F	G	H1	H2	L	M1	M2	N1	N2	N3	S1	S2	W	X	H3	H4	Ø (mm) Mech. seal	DNA	DNM	PACKING DIMENSIONS			VOLUME (m <sup>3</sup> )	WEIGHT Kg
	L/A	L/B	H																								
NKP-G 40-200/210/11/2	100	67	210	498	350	160	180	343	-	-	314	254	-	M12	-	351	100	-	20	28	65	40	1030	530	640	0,349	170



# NKP-G 40-250 - 2 POLES - STANDARDISED MONOBLOC PUMPS

Pumped liquid temperature range: from -10 °C to +140 °C - Maximum ambient temperature: +40°C

≈ 2900 1/min



For MEI index refer to the hydraulic efficiency section.

The performance curves are based on kinematic viscosity values = 1 mm²/s and density equal to 1000 kg/m³. Curve tolerance according to ISO 9906.

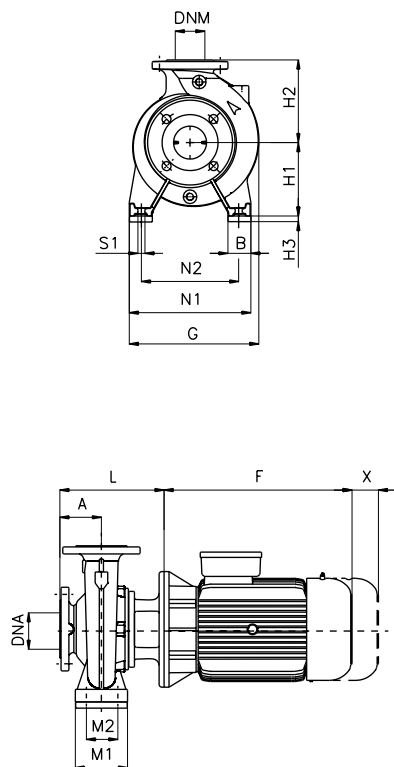
MODEL	ELECTRICAL DATA						MOTOR TYPE
	MOTOR SIZE	POWER INPUT 50 Hz	P2 NOMINAL		In A		
			kW	HP	230 V	400 V	
NKP-G 40-250/230/15/2	MEC 160 M	3 x 400 V ~	15	20	-	26,7	IE3
NKP-G 40-250/245/18,5/2	MEC 160 L	3 x 400 V ~	18,5	25	-	33	IE3
NKP-G 40-250/260/22/2	MEC 180 M	3 x 400 V ~	22	30	-	38,1	IE3

MODEL	A	B	E	F	G	H1	H2	L	M1	M2	N1	N2	N3	S1	S2	W	X	H3	H4	Ø (mm) Mech. seal	DNA	DNM	PACKING DIMENSIONS			VOLUME (m³)	WEIGHT Kg
																							L/A	L/B	H		
NKP-G 40-250/230/15/2	100	67	210	498	350	160	225	343	-	-	314	254	-	M12	-	351	100	-	20	28	65	40	1030	530	640	0,349	180
NKP-G 40-250/245/18,5/2	100	67	254	542	350	160	225	343	-	-	314	254	-	M12	-	351	100	-	20	28	65	40	1030	530	640	0,349	192
NKP-G 40-250/260/22/2	100	74	241	577	350	180	225	343	-	-	345	279	-	M12	-	364	100	-	-	28	65	40	1030	530	640	0,349	223

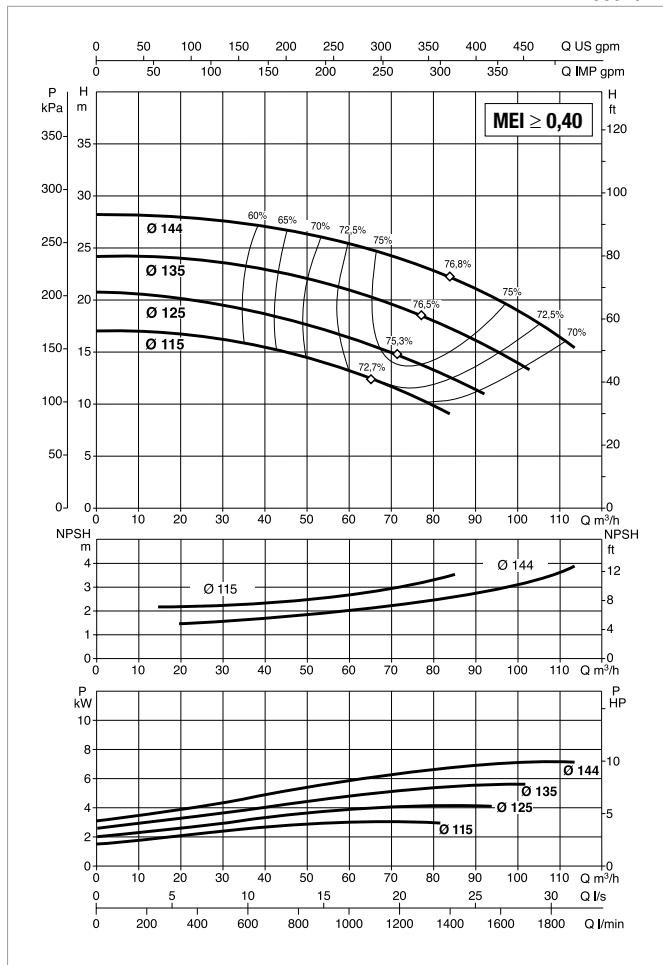
# NKP-G 50-125 - 2 POLES - STANDARDISED MONOBLOC PUMPS

Pumped liquid temperature range: from -10 °C to +140 °C - Maximum ambient temperature: +40°C

≅ 2900 1/min



Construction features of the motor: B5



For MEI index refer to the hydraulic efficiency section.

The performance curves are based on kinematic viscosity values = 1 mm²/s and density equal to 1000 kg/m³. Curve tolerance according to ISO 9906.

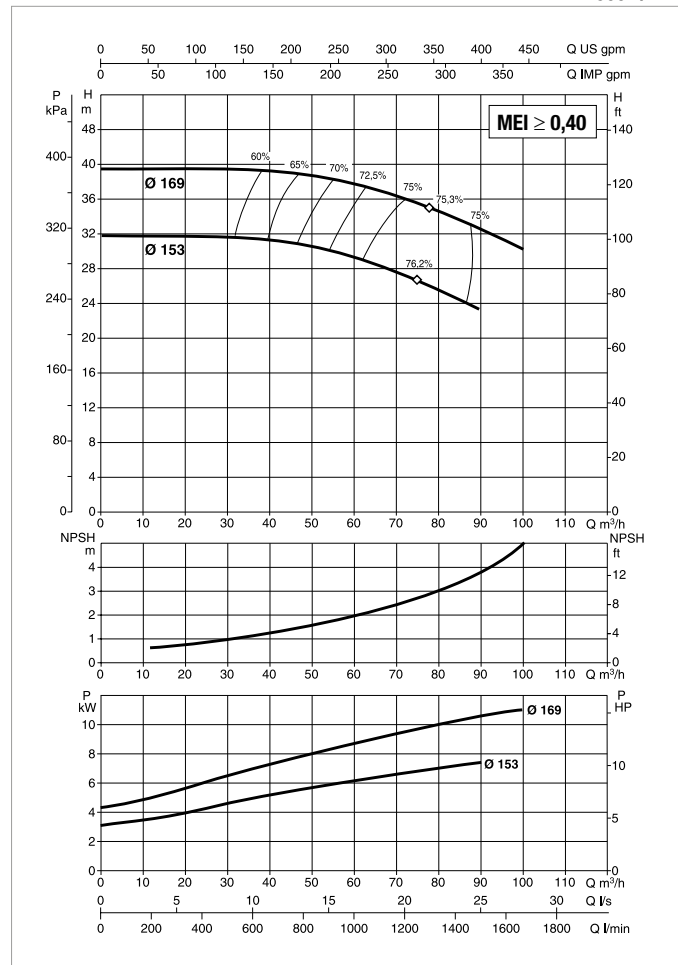
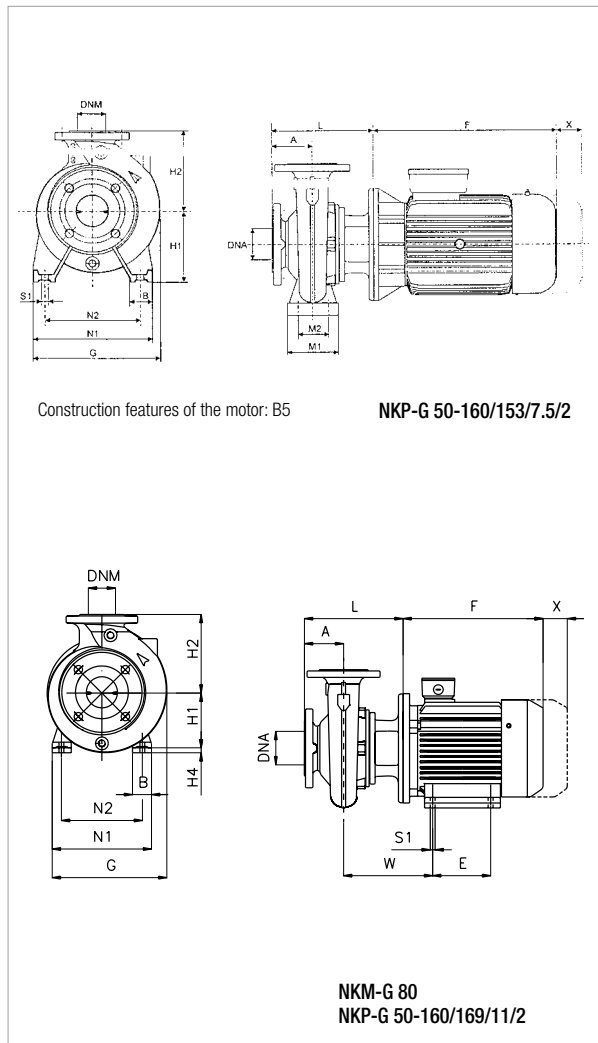
MODEL	ELECTRICAL DATA						
	MOTOR SIZE	POWER INPUT 50 Hz	P2 NOMINAL		In A		MOTOR TYPE
			kW	HP	230 V	400 V	
NKP-G 50-125/115/3/2	MEC 100 L	3 x 400 V ~	3	4	-	5,6	IE3
NKP-G 50-125/125/4/2	MEC 112 M	3 x 400 V ~	4	5,5	-	8,2	IE3
NKP-G 50-125/135/5,5/2	MEC 132 S	3 x 400 V ~	5,5	7,5	-	10,2	IE3
NKP-G 50-125/144/7,5/2	MEC 132 S	3 x 400 V ~	7,5	10	-	14,4	IE3

MODEL	A	B	E	F	G	H1	H2	L	M1	M2	N1	N2	N3	S1	S2	W	X	H3	H4	Ø (mm) Mech. seal	DNA	DNM	PACKING DIMENSIONS			VOLUME (m³)	WEIGHT Kg
																							L/A	L/B	H		
NKP-G 50-125/115/3/2	100	50	-	319	251	132	160	274	100	70	240	190	-	M10	-	-	100	-	-	28	65	50	670	420	540	0,152	48
NKP-G 50-125/125/4/2	100	50	-	306	251	132	160	274	100	70	240	190	-	M10	-	-	100	-	-	28	65	50	670	420	540	0,152	42
NKP-G 50-125/135/5,5/2	100	50	-	328	300	132	160	313	100	70	240	190	-	M10	-	-	100	20	-	28	65	50	830	430	520	0,186	53
NKP-G 50-125/144/7,5/2	100	50	-	350	300	132	160	313	100	70	240	190	-	M10	-	-	100	20	-	28	65	50	830	430	520	0,186	87

# NKP-G 50-160 - 2 POLES - STANDARDISED MONOBLOC PUMPS

Pumped liquid temperature range: from -10 °C to +140 °C - Maximum ambient temperature: +40°C

≅ 2900 1/min



For MEI index refer to the hydraulic efficiency section.

The performance curves are based on kinematic viscosity values = 1 mm²/s and density equal to 1000 kg/m³. Curve tolerance according to ISO 9906.

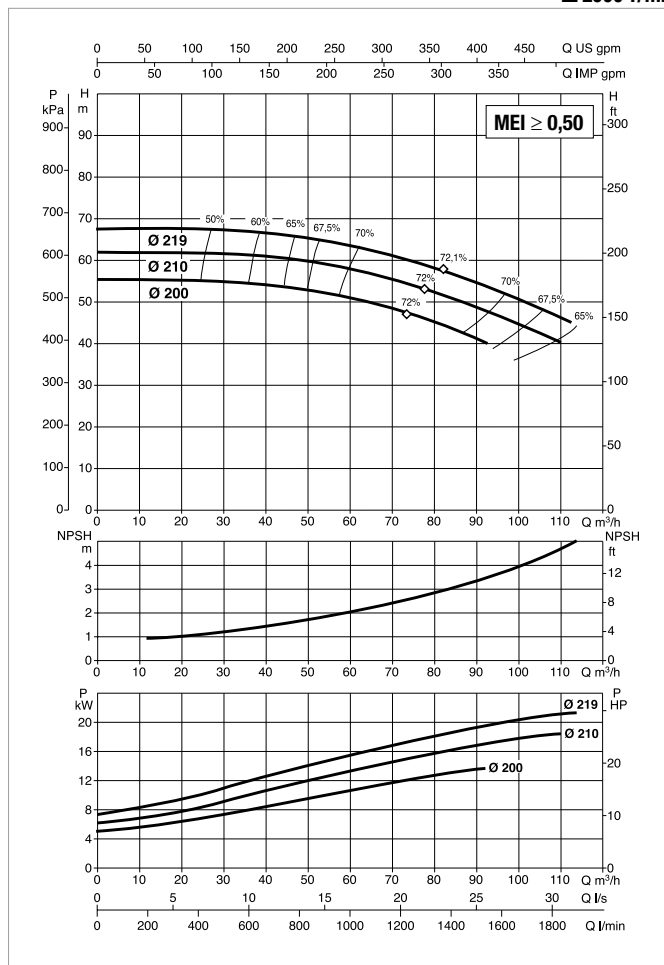
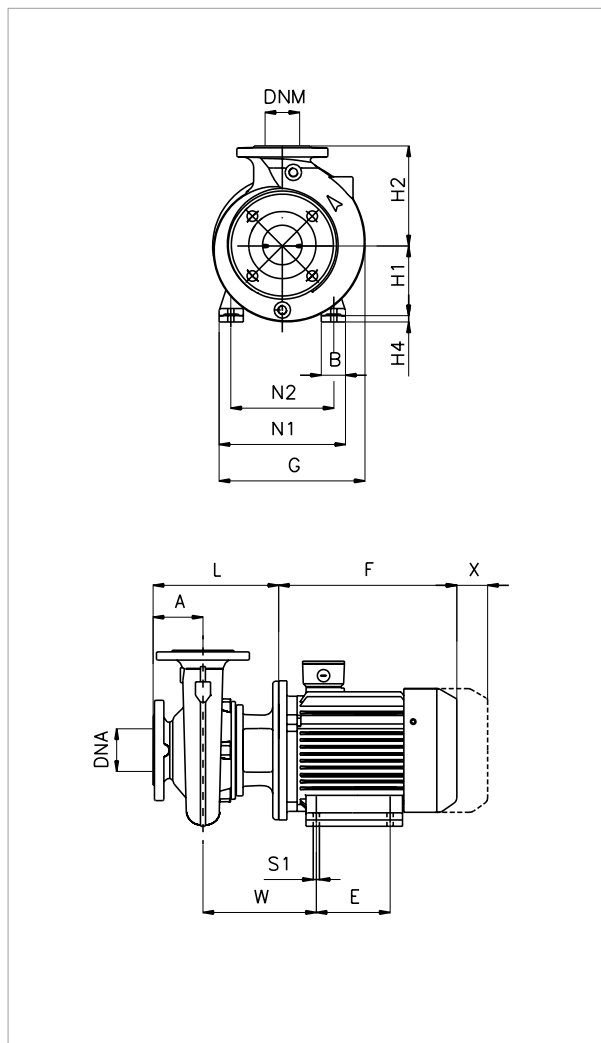
MODEL	ELECTRICAL DATA						
	MOTOR SIZE	POWER INPUT 50 Hz	P2 NOMINAL		In A		MOTOR TYPE
			kW	HP	230 V	400 V	
<b>NKP-G 50-160/153/7,5/2</b>	MEC 132 S	3 x 400 V ~	7,5	10	-	14,4	IE3
<b>NKP-G 50-160/169/11/2</b>	MEC 160 M	3 x 400 V ~	11	15	-	19,7	IE3

MODEL	A	B	E	F	G	H1	H2	L	M1	M2	N1	N2	N3	S1	S2	W	X	H3	H4	Ø (mm) Mech. seal	DNA	DNM	PACKING DIMENSIONS			VOLUME (m³)	WEIGHT Kg
																							L/A	L/B	H		
<b>NKP-G 50-160/153/7,5/2</b>	100	50	-	350	300	160	180	313	100	70	265	212	-	M10	-	-	100	-	-	28	65	50	1030	530	640	0,349	64
<b>NKP-G 50-160/169/11/2</b>	100	67	210	498	350	160	180	343	-	-	314	254	-	M12	-	351	100	-	20	28	65	50	1030	530	640	0,349	96

# NKP-G 50-200 - 2 POLES - STANDARDISED MONOBLOC PUMPS

Pumped liquid temperature range: from -10 °C to +140 °C - Maximum ambient temperature: +40°C

≅ 2900 1/min



For MEI index refer to the hydraulic efficiency section.  
The performance curves are based on kinematic viscosity values = 1 mm²/s and density equal to 1000 kg/m³. Curve tolerance according to ISO 9906.

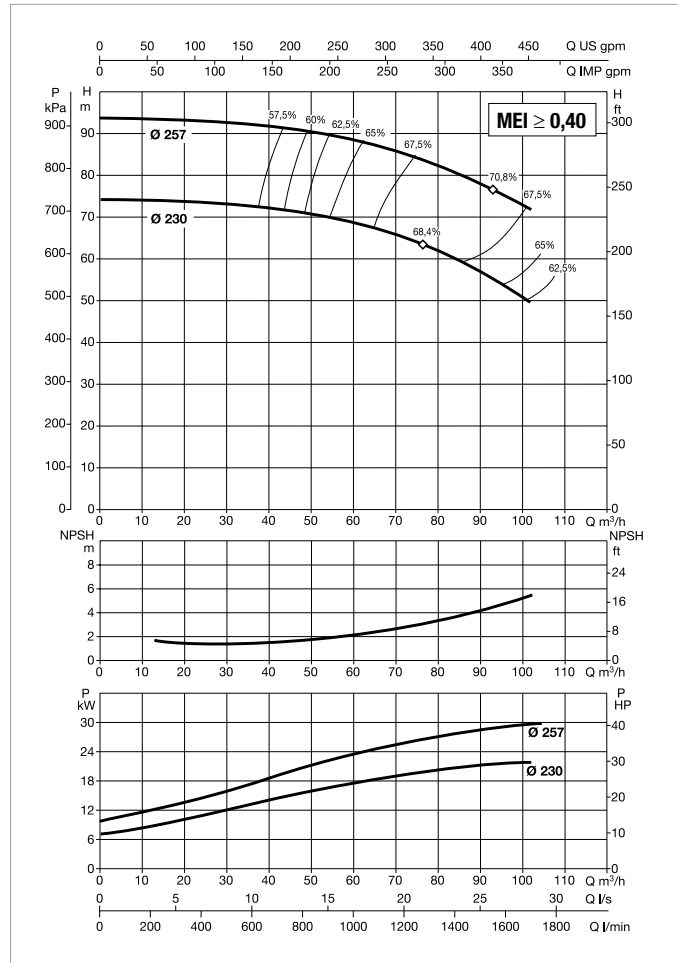
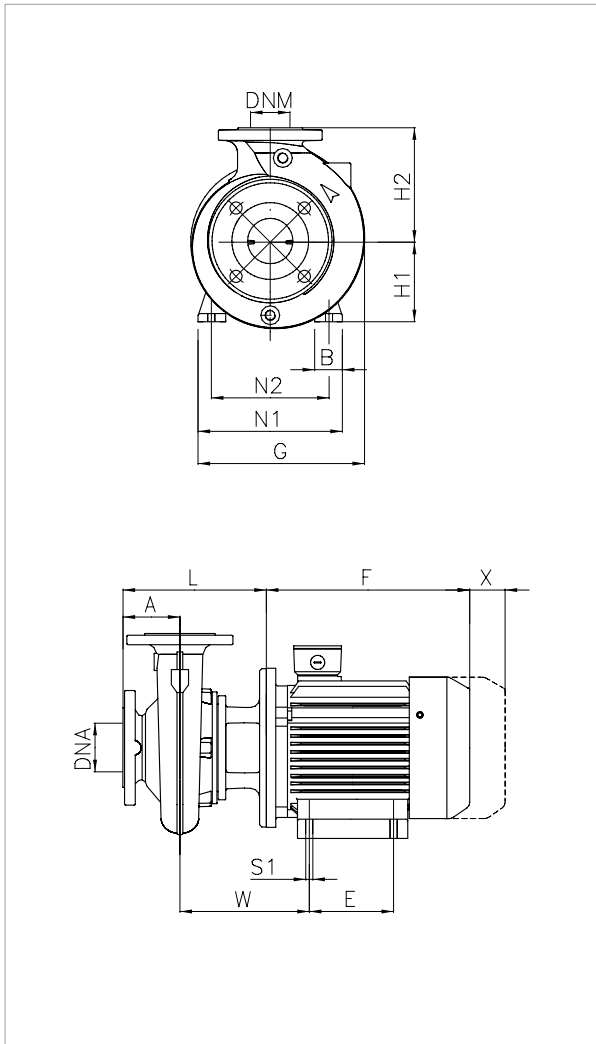
MODEL	ELECTRICAL DATA						
	MOTOR SIZE	POWER INPUT 50 Hz	P2 NOMINAL		In A		MOTOR TYPE
			kW	HP	230 V	400 V	
NKP-G 50-200/200/15/2	MEC 160 M	3 x 400 V ~	15	20	-	26,7	IE3
NKP-G 50-200/210/18,5/2	MEC 160 L	3 x 400 V ~	18,5	25	-	33	IE3
NKP-G 50-200/219/22/2	MEC 180 M	3 x 400 V ~	22	30	-	38,1	IE3

MODEL	A	B	E	F	G	H1	H2	L	M1	M2	N1	N2	N3	S1	S2	W	X	H3	H4	Ø (mm) Mech. seal	DNA	DNM	PACKING DIMENSIONS			VOLUME (m³)	WEIGHT Kg
																							L/A	L/B	H		
NKP-G 50-200/200/15/2	100	67	210	498	350	160	200	343	-	-	314	254	-	M12	-	351	100	-	20	28	65	50	1030	530	640	0,349	176
NKP-G 50-200/210/18,5/2	100	67	254	542	350	160	200	343	-	-	314	254	-	M12	-	351	100	-	20	28	65	50	1030	530	640	0,349	187
NKP-G 50-200/219/22/2	100	74	241	577	350	160	200	343	-	-	345	279	-	M12	-	364	100	-	-	28	65	50	1030	530	640	0,349	218

# NKP-G 50-250 - 2 POLES - STANDARDISED MONOBLOC PUMPS

Pumped liquid temperature range: from -10 °C to +140 °C - Maximum ambient temperature: +40°C

≈ 2900 1/min



For MEI index refer to the hydraulic efficiency section.

The performance curves are based on kinematic viscosity values = 1 mm²/s and density equal to 1000 kg/m³. Curve tolerance according to ISO 9906.

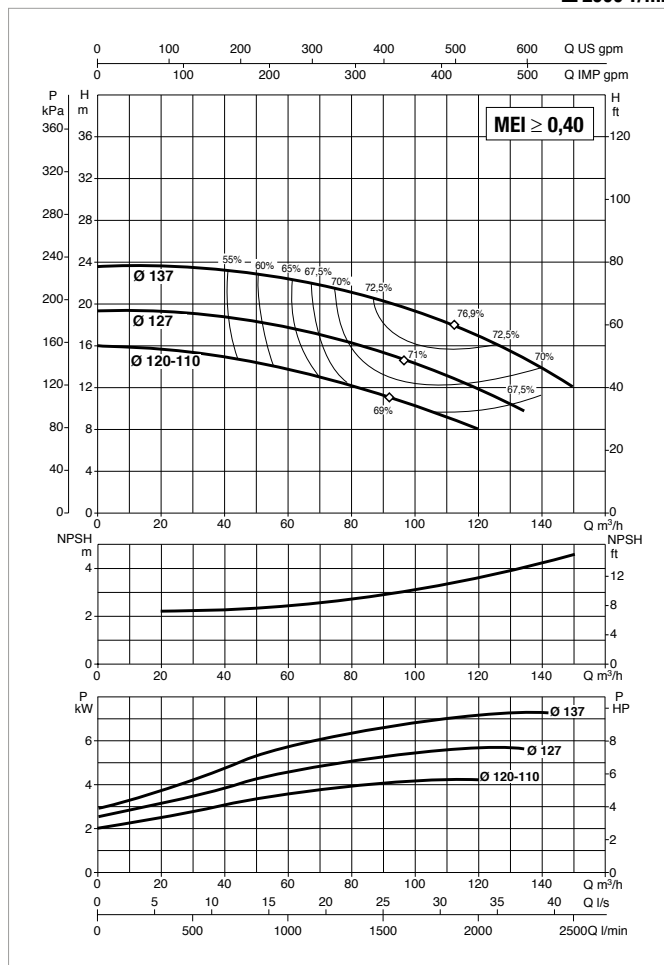
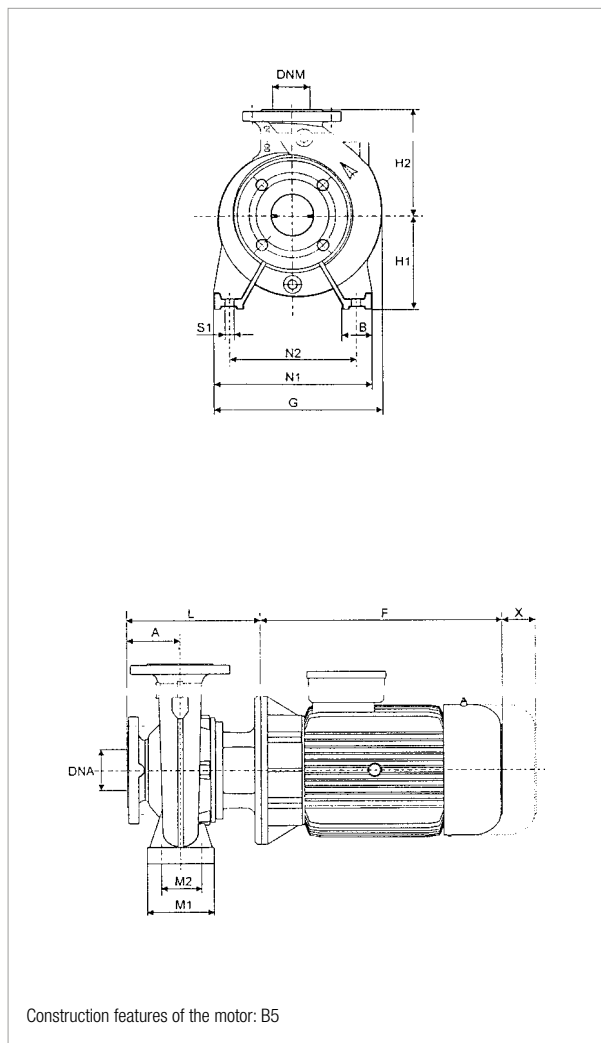
MODEL	ELECTRICAL DATA						
	MOTOR SIZE	POWER INPUT 50 Hz	P2 NOMINAL		In A		MOTOR TYPE
			kW	HP	230 V	400 V	
NKP-G 50-250/230/22/2	MEC 180 M	3 x 400 V ~	22	30	-	38,1	IE3
NKP-G 50-250/257/30/2	MEC 200 L	3 x 400 V ~	30	40	-	52,1	IE3

MODEL	A	B	E	F	G	H1	H2	L	M1	M2	N1	N2	N3	S1	S2	W	X	H3	H4	Ø (mm) Mech. seal	DNa	DNM	PACKING DIMENSIONS			VOLUME (m³)	WEIGHT Kg
																							L/A	L/B	H		
NKP-G 50-250/230/22/2	100	74	241	577	350	180	225	343	-	-	345	279	-	M12	-	364	100	-	-	28	65	50	1030	530	640	0,349	223
NKP-G 50-250/257/30/2	100	85	305	658,5	400	200	225	343	-	-	388	318	-	M14	-	376	100	-	-	28	65	50	1130	580	740	0,485	351

# NKP-G 65-125 - 2 POLES - STANDARDISED MONOBLOC PUMPS

Pumped liquid temperature range: from -10 °C to +140 °C - Maximum ambient temperature: +40°C

≅ 2900 1/min



For MEI index refer to the hydraulic efficiency section.

The performance curves are based on kinematic viscosity values = 1 mm²/s and density equal to 1000 kg/m³. Curve tolerance according to ISO 9906.

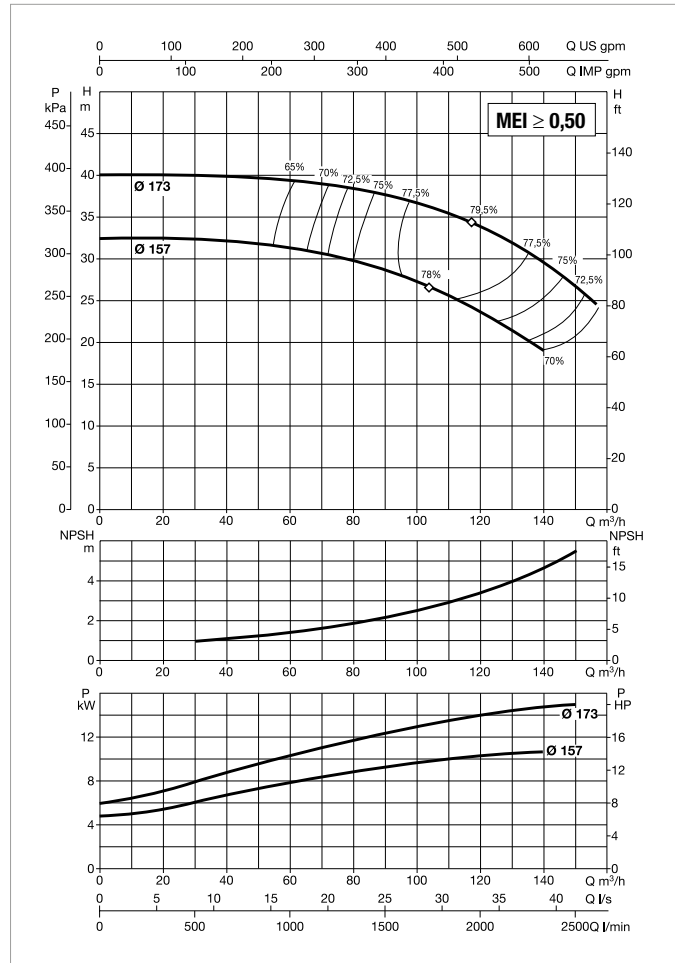
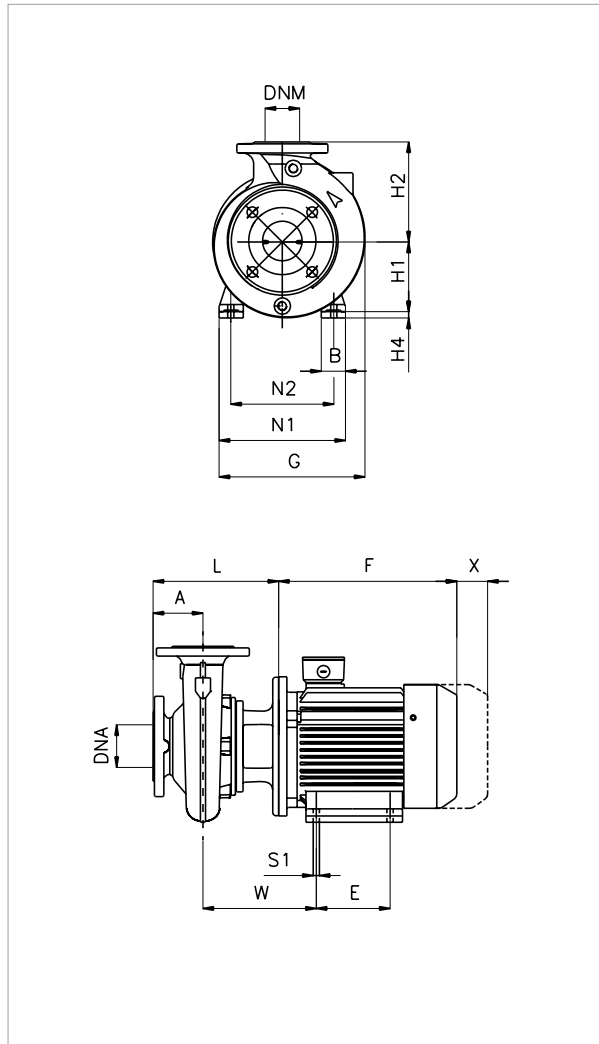
MODEL	ELECTRICAL DATA						
	MOTOR SIZE	POWER INPUT 50 Hz	P2 NOMINAL		In A		MOTOR TYPE
			kW	HP	230 V	400 V	
NKP-G 65-125/120-110/4/2	MEC 112	3 x 400 V ~	4	5,5	-	8,2	IE3
NKP-G 65-125/127/5,5/2	MEC 132 S	3 x 400 V ~	5,5	7,5	-	10,2	IE3
NKP-G 65-125/137/7,5/2	MEC 132 S	3 x 400 V ~	7,5	10	-	14,4	IE3

MODEL	A	B	E	F	G	H1	H2	L	M1	M2	N1	N2	N3	S1	S2	W	X	H3	H4	Ø (mm) Mech. seal	DNA	DNM	PACKING DIMENSIONS			VOLUME (m³)	WEIGHT Kg
																							L/A	L/B	H		
NKP-G 65-125/120-110/4/2	100	65	-	306	286	160	180	274	125	95	280	212	-	M10	-	-	100	-	-	28	80	65	670	420	540	0,152	40
NKP-G 65-125/127/5,5/2	100	65	-	328	300	160	180	313	125	95	280	212	-	M10	-	-	100	-	-	28	80	65	830	430	520	0,186	55
NKP-G 65-125/137/7,5/2	100	65	-	350	300	160	180	313	125	95	280	212	-	M10	-	-	100	-	-	28	80	65	830	430	520	0,186	94

# NKP-G 65-160 - 2 POLES - STANDARDISED MONOBLOC PUMPS

Pumped liquid temperature range: from -10 °C to +140 °C - Maximum ambient temperature: +40°C

≈ 2900 1/min



For MEI index refer to the hydraulic efficiency section.

The performance curves are based on kinematic viscosity values = 1 mm<sup>2</sup>/s and density equal to 1000 kg/m<sup>3</sup>. Curve tolerance according to ISO 9906.

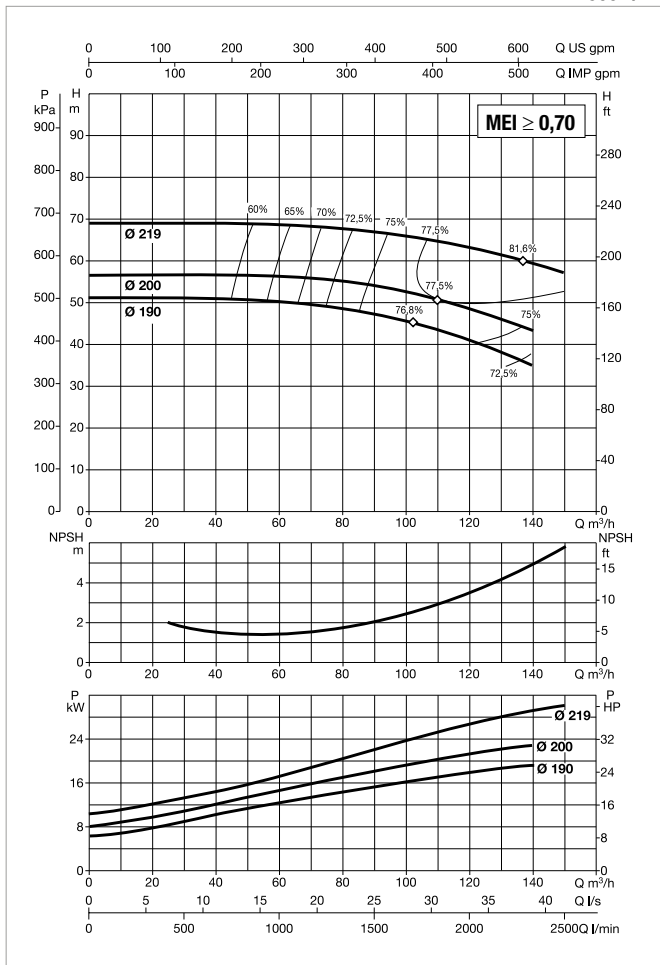
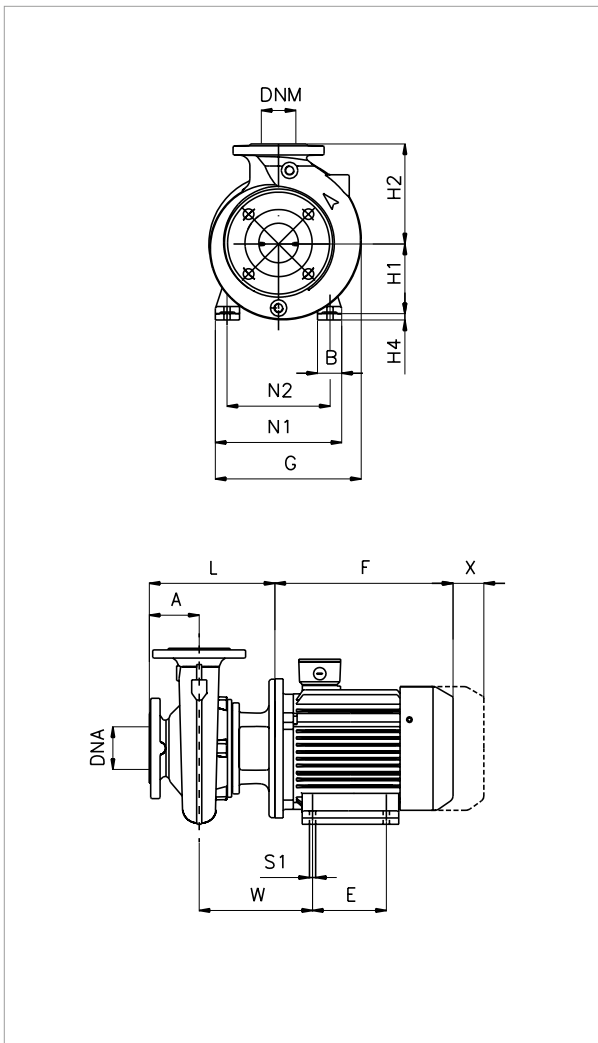
MODEL	ELECTRICAL DATA						
	MOTOR SIZE	POWER INPUT 50 Hz	P2 NOMINAL		In A		MOTOR TYPE
			kW	HP	230 V	400 V	
NKP-G 65-160/157/11/2	MEC 160 M	3 x 400 V ~	11	15	-	19,7	IE3
NKP-G 65-160/173/15/2	MEC 160 M	3 x 400 V ~	15	20	-	26,7	IE3

MODEL	A	B	E	F	G	H1	H2	L	M1	M2	N1	N2	N3	S1	S2	W	X	H3	H4	Ø (mm) Mech. seal	DNA	DNM	PACKING DIMENSIONS			VOLUME (m <sup>3</sup> )	WEIGHT Kg
																							L/A	L/B	H		
NKP-G 65-160/157/11/2	100	67	210	498	350	160	200	343	-	-	314	254	-	M12	-	351	100	-	20	28	80	65	1030	530	640	0,349	166
NKP-G 65-160/173/15/2	100	67	210	498	350	160	200	343	-	-	314	254	-	M12	-	351	100	-	20	28	80	65	1030	530	640	0,349	172

# NKP-G 65-200 - 2 POLES - STANDARDISED MONOBLOC PUMPS

Pumped liquid temperature range: from -10 °C to +140 °C - Maximum ambient temperature: +40°C

≅ 2900 1/min



For MEI index refer to the hydraulic efficiency section.

The performance curves are based on kinematic viscosity values = 1 mm²/s and density equal to 1000 kg/m³. Curve tolerance according to ISO 9906.

MODEL	ELECTRICAL DATA						
	MOTOR SIZE	POWER INPUT 50 Hz	P2 NOMINAL		In A		MOTOR TYPE
			kW	HP	230 V	400 V	
NKP-G 65-200/190/18,5/2	MEC 160 L	3 x 400 V ~	18,5	25	-	33	IE3
NKP-G 65-200/200/22/2	MEC 180 M	3 x 400 V ~	22	30	-	38,1	IE3
NKP-G 65-200/219/30/2	MEC 200 L	3 x 400 V ~	30	40	-	52,1	IE3

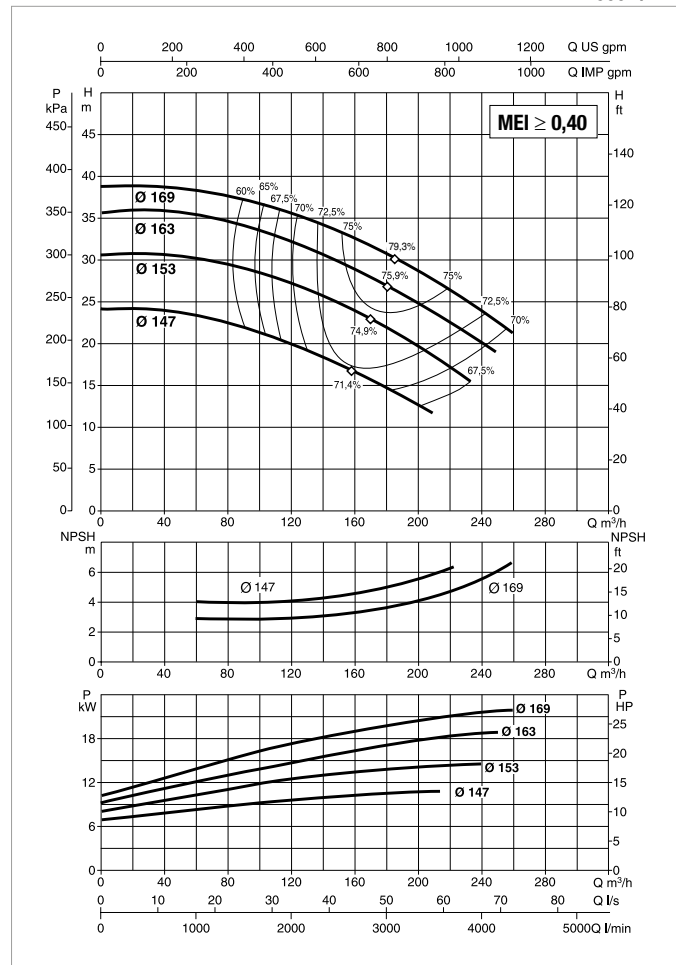
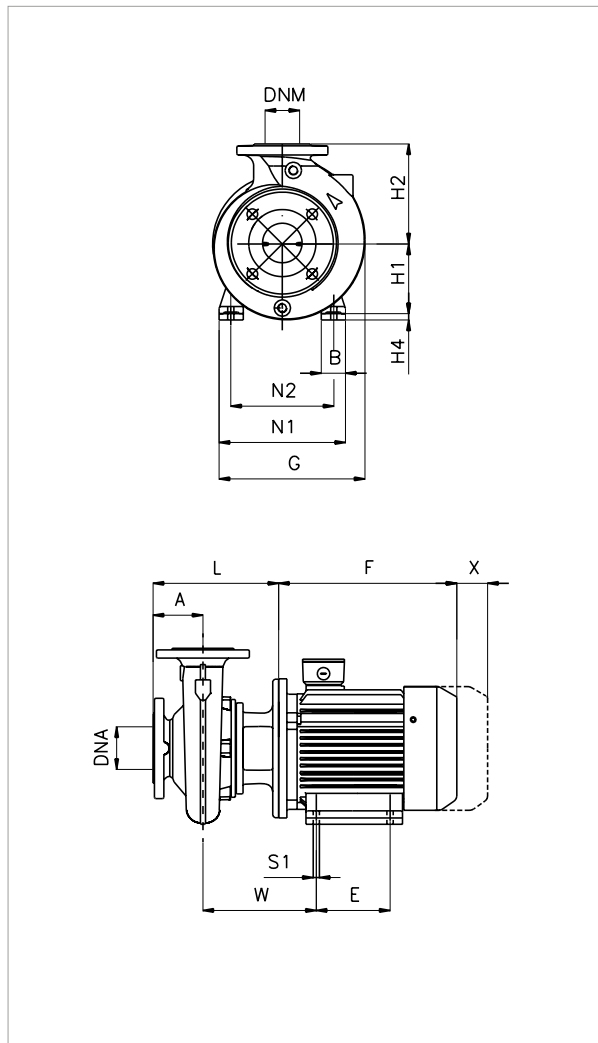
MODEL	A	B	E	F	G	H1	H2	L	M1	M2	N1	N2	N3	S1	S2	W	X	H3	H4	Ø (mm) Mech. seal	DNA	DNM	PACKING DIMENSIONS			VOLUME (m³)	WEIGHT Kg
																							L/A	L/B	H		
NKP-G 65-200/190/18,5/2	100	67	254	542	350	160	225	343	-	-	314	254	-	M12	-	351	100	-	20	28	80	65	1030	530	640	0,349	192
NKP-G 65-200/200/22/2	100	74	241	577	350	180	225	343	-	-	345	279	-	M12	-	364	100	-	-	28	80	65	1030	530	640	0,349	223
NKP-G 65-200/219/30/2	100	85	305	658,5	400	200	225	343	-	-	388	318	-	M14	-	376	100	-	-	28	80	65	1130	580	740	0,485	351



# NKP-G 80-160 - 2 POLES - STANDARDISED MONOBLOC PUMPS

Pumped liquid temperature range: from -10 °C to +140 °C - Maximum ambient temperature: +40°C

≅ 2900 1/min



For MEI index refer to the hydraulic efficiency section.

The performance curves are based on kinematic viscosity values = 1 mm²/s and density equal to 1000 kg/m³. Curve tolerance according to ISO 9906.

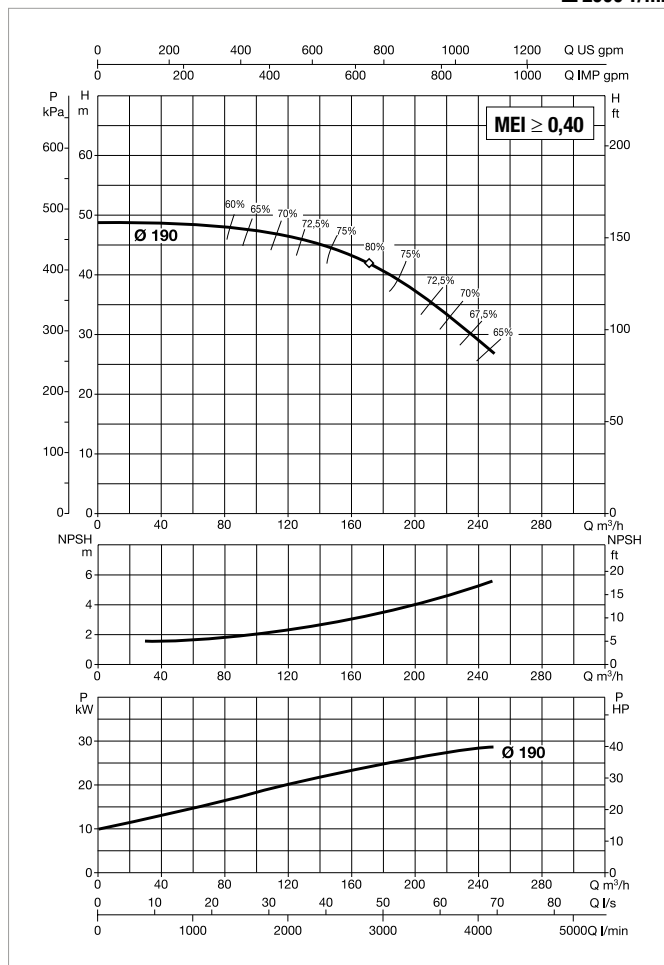
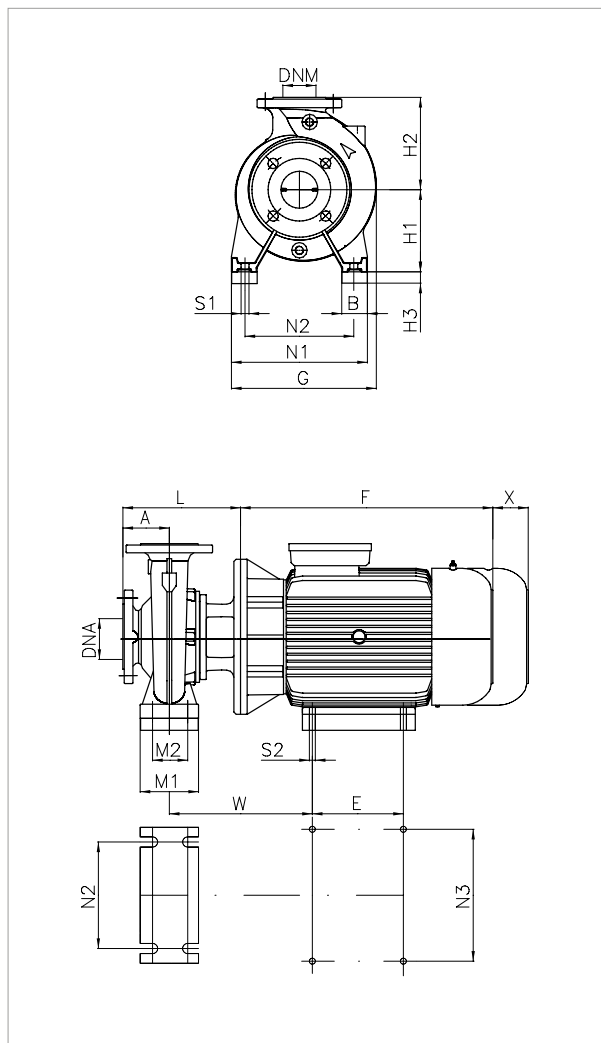
MODEL	ELECTRICAL DATA						
	MOTOR SIZE	POWER INPUT 50 Hz	P2 NOMINAL		In A		MOTOR TYPE
			kW	HP	230 V	400 V	
NKP-G 80-160/147-127/11/2	MEC 160 M	3 x 400 V ~	11	15	-	19,7	IE3
NKP-G 80-160/153/15/2	MEC 160 M	3 x 400 V ~	15	20	-	26,7	IE3
NKP-G 80-160/163/18,5/2	MEC 160 L	3 x 400 V ~	18,5	25	-	33	IE3
NKP-G 80-160/169/22/2	MEC 180 M	3 x 400 V ~	22	30	-	38,1	IE3

MODEL	A	B	E	F	G	H1	H2	L	M1	M2	N1	N2	N3	S1	S2	W	X	H3	H4	Ø (mm) Mech. seal	DNA	DNM	PACKING DIMENSIONS			VOLUME (m³)	WEIGHT Kg
																							L/A	L/B	H		
NKP-G 80-160/147-127/11/2	125	67	210	498	350	160	225	368	-	-	314	254	-	M12	-	351	140	-	20	28	100	80	1030	530	640	0,349	179
NKP-G 80-160/153/15/2	125	67	210	498	350	160	225	368	-	-	314	254	-	M12	-	351	140	-	20	28	100	80	1030	530	640	0,349	181
NKP-G 80-160/163/18,5/2	125	67	254	542	350	160	225	368	-	-	314	254	-	M12	-	351	140	-	20	28	100	80	1030	530	640	0,349	192
NKP-G 80-160/169/22/2	125	74	241	577	350	180	225	368	-	-	345	279	-	M12	-	364	140	-	-	28	100	80	1130	580	740	0,485	221

# NKP-G 80-200 - 2 POLES - STANDARDISED MONOBLOC PUMPS

Pumped liquid temperature range: from -10 °C to +140 °C - Maximum ambient temperature: +40°C

≈ 2900 1/min



**For MEI index refer to the hydraulic efficiency section.**  
 The performance curves are based on kinematic viscosity values = 1 mm<sup>2</sup>/s and density equal to 1000 kg/m<sup>3</sup>. Curve tolerance according to ISO 9906.

MODEL	ELECTRICAL DATA						
	MOTOR SIZE	POWER INPUT 50 Hz	P2 NOMINAL		In A		MOTOR TYPE
			kW	HP	230 V	400 V	
NKP-G 80-200/190/30/2	MEC 200 L	3 x 400 V ~	30	40	-	52,1	IE3

MODEL	A	B	E	F	G	H1	H2	L	M1	M2	N1	N2	N3	S1	S2	W	X	H3	H4	Ø (mm) Mech. seal	DNA	DNM	PACKING DIMENSIONS			VOLUME (m <sup>3</sup> )	WEIGHT Kg
	L/A	L/B	H																								
NKP-G 80-200/190/30/2	125	65	305	658,5	400	180	250	398	125	95	345	280	318	M10	M16	406	140	20	-	28	100	80	1130	580	740	0,485	374

# NKP-G - 2 POLES

## STANDARDISED MONOBLOC PUMPS

### IE3 STANDARD MOTOR ELECTRIC DATA

=2900 1/min

MOTOR TYPE	P2 NOMINAL kW	SPEED rpm	YIELD %	POWER FACTOR COS φ	POWER INPUT 50 Hz	In A			Start-up current Ia/In	Start-up torque Ma/Mn	Maximum torque M/k/Mn	POLES
						230V	400V	690V				
MEC 71	0,25	2790	69,81	0,778	3x230/400	1,16	0,67		5,06	2,90	3,01	2
MEC 71	0,37	2820	72,79	0,783	3x230/400	1,61	0,93		5,40	2,69	2,99	2
MEC 80	0,55	2810	76,97	0,800	3x230/400	2,23	1,29		6,41	3,43	3,13	2
MEC 80Z	0,75	2910	82,00	0,780	3x230/400	2,94	1,70		8,90	4,70	4,80	2
MEC 80Z	1,1	2870	82,70	0,760	3x230/400	4,16	2,40		9,30	5,00	5,30	2
MEC 90S	1,5	2875	84,20	0,850	3x230/400	5,20	3,00		8,40	3,60	3,80	2
MEC 90L	2,2	2880	86,50	0,820	3x230/400	7,97	4,60		9,20	4,00	4,20	2
MEC 100L	3	2900	87,10	0,890	3x400 Δ		5,60	3,23	8,80	5,50	4,50	2
MEC 112M	4	2920	88,10	0,810	3x400 Δ		8,20	4,73	10,90	6,10	5,70	2
MEC 132S	5,5	2935	89,20	0,870	3x400 Δ		10,20	5,89	11,20	4,20	4,30	2
MEC 132S	7,5	2930	90,10	0,840	3x400 Δ		14,40	8,31	10,40	4,50	4,60	2
MEC 160M	11	2950	91,20	0,890	3x400 Δ		19,70	11,37	9,10	4,00	4,20	2
MEC 160M	15	2940	91,90	0,890	3x400 Δ		26,70	15,42	9,70	4,70	4,80	2
MEC 160L	18,5	2950	92,40	0,880	3x400 Δ		33,00	19,05	10,70	4,60	4,70	2
MEC 180M	22	2955	92,70	0,900	3x400 Δ		38,10	22,00	8,20	2,20	2,30	2
MEC 200L	30	2960	93,30	0,890	3x400 Δ		52,10	30,08	7,50	2,20	2,30	2
MEC 200L	37	2960	93,70	0,910	3x400 Δ		62,60	36,14	7,50	2,20	2,30	2

# NKM-G RANGE - 4 POLES

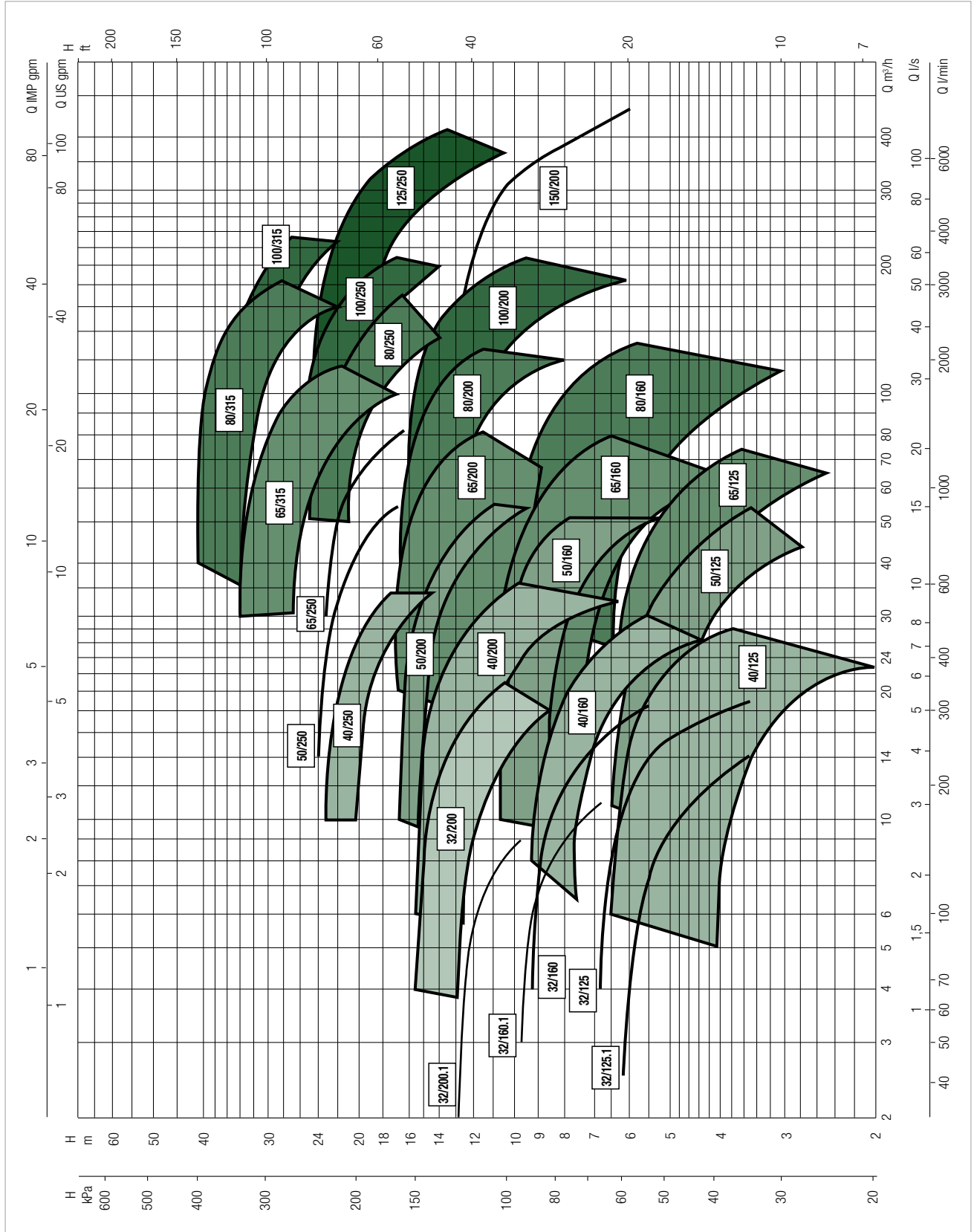
STANDARDISED MONOBLOC PUMPS

## PERFORMANCE RANGE

The performance curves are based on kinematic viscosity values = 1 mm<sup>2</sup>/s and density equal to 1000 kg/m<sup>3</sup>. Curve tolerance according to ISO 9906.

### GRAPHIC SELECTION TABLE

≈ 1450 1/min



# NKM-G - 4 POLES

## STANDARDISED MONOBLOC PUMPS

### SELECTION TABLE - NKM-G

MODEL	Q=	0	6	12	18	24	30	36	42	48	54	60	66	72	78	84	90	102	114	
	m <sup>3</sup> /h	0	100	200	300	400	500	600	700	800	900	1000	1100	1200	1300	1400	1500	1700	1900	
NKM-G 32-125.1/140/0,25/4	H (m)	6,2	5,8	4,2																
NKM-G 32-125/142/0,37/4		7	6,75	5,85	4,2															
NKM-G 32-160.1/169/0,37/4		8,9	8,2	4,6																
NKM-G 32-160/169/0,55/4		9,4	9	7,9	5,6															
NKM-G 32-200.1/200/0,55/4		12,7	11,2	7,2																
NKM-G 32-200/200/0,75/4		13	12,5	11,1	8,45															
NKM-G 32-200/219/1,1/4		16	15,4	14,3	12,2															
NKM-G 40-125/115/0,25/4		4,2	4,1	3,7	3	2,1														
NKM-G 40-125/130/0,37/4		5,4	5,3	5	4,4	3,5														
NKM-G 40-125/142/0,55/4		6,6	6,5	6,2	5,7	4,8														
NKM-G 40-160/153/0,55/4		7,6	7,6	7,5	6,7	5,5														
NKM-G 40-160/166/0,75/4		9,2	9,2	9	8,4	7,4	5,7													
NKM-G 40-200/200/1,1/4		12,5	12,5	12,3	11,2	9,7	7,7													
NKM-G 40-200/219/1,5/4		15,6	15,6	15,3	14,7	13,4	11,8	9,8												
NKM-G 40-250/245/2,2/4		20,6	20,5	20,1	19,2	17,8	16													
NKM-G 40-250/260/3/4		23,3	23,1	22,8	22,2	20,8	19													
NKM-G 50-125/130/0,55/4		5,5		5,2	5	4,7	4,3	3,9	3,3	2,6										
NKM-G 50-125/141/0,75/4		6,5		6,3	6,1	5,8	5,5	5	4,5	3,9										
NKM-G 50-160/161/1,1/4		8,6		8,6	8,5	8,2	7,8	7,3	6,7	5,7										
NKM-G 50-160/177/1,5/4		10,7		10,7	10,7	10,5	10,2	9,8	9,2	8,3										
NKM-G 50-200/210/2,2/4		15,3		15,3	15,2	14,8	14	13,3	12,1	10,8	9,4									
NKM-G 50-200/219/3/4		16,8		16,8	16,5	16,1	15,5	14,6	13,6	12,4	10,9									
NKM-G 50-250/263/4/4		23,8		23,8	23,8	23,4	22,7	21,6	20,4	19	17,1									
NKM-G 65-125/130/0,75/4		5,1		4,9	4,8	4,75	4,7	4,4	4,2	3,8	3,4	3	2,5							
NKM-G 65-125/144/1,1/4		6,5		6,4	6,4	6,3	6,2	6	5,75	5,5	5,1	4,65	4,2	3,75						
NKM-G 65-160/153/1,1/4		7,4		7,4	7,3	7,15	6,9	6,65	6,25	5,8	5,3	4,4								
NKM-G 65-160/165/1,5/4		8,9			8,8	8,7	8,6	8,3	8	7,6	7,15	6,6	6							
NKM-G 65-160/177/2,2/4		10,5				10,4	10,3	10,2	9,9	9,6	9,2	8,75	8,2	7,4	6,6					
NKM-G 65-200/210/3/4		15,3				15,2	15,2	15,1	14,6	14,1	13,5	12,9	12,2	11,3						
NKM-G 65-200/219/4/4		17				17	16,9	16,8	16,4	16,2	15,8	15,2	14,3	13,8	12,6					
NKM-G 65-250/263/5,5/4		24,1				23,8	23,6	23,3	22,8	22,3	21,5	20,8	19,7	18,6	17,3					
NKM-G 65-315/279/7,5/4		27							26	25,5	25	24,5	23,6	22,7	21,5	20,2	19			
NKM-G 65-315/309/11/4		34,2								33,2	33	32,5	32	31,5	30,7	29,8	29	28	25	21,7

# NKM-G - 4 POLES

## STANDARDISED MONOBLOC PUMPS

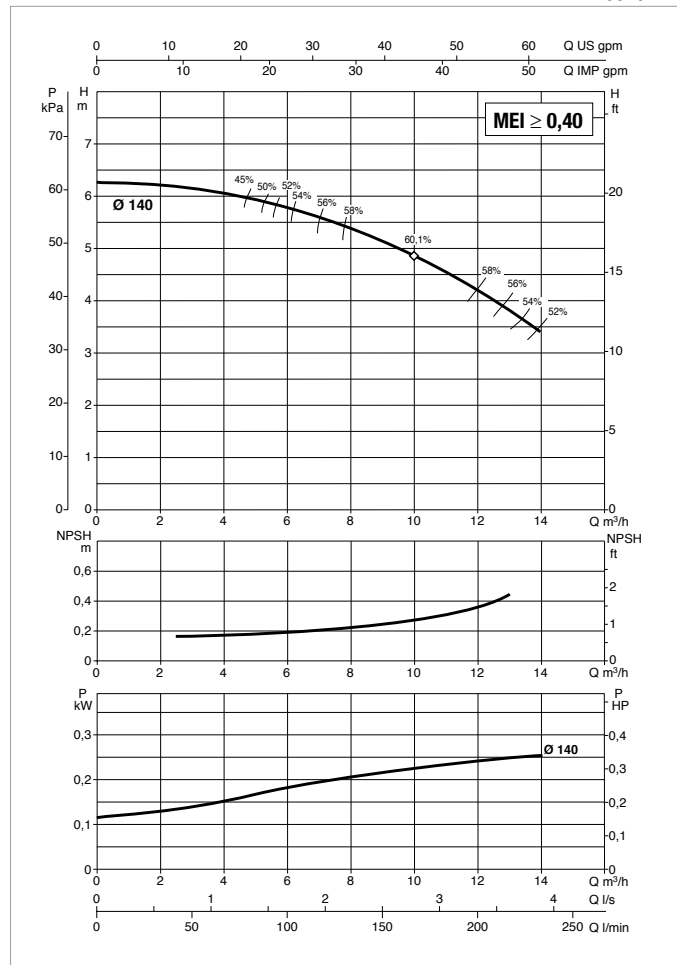
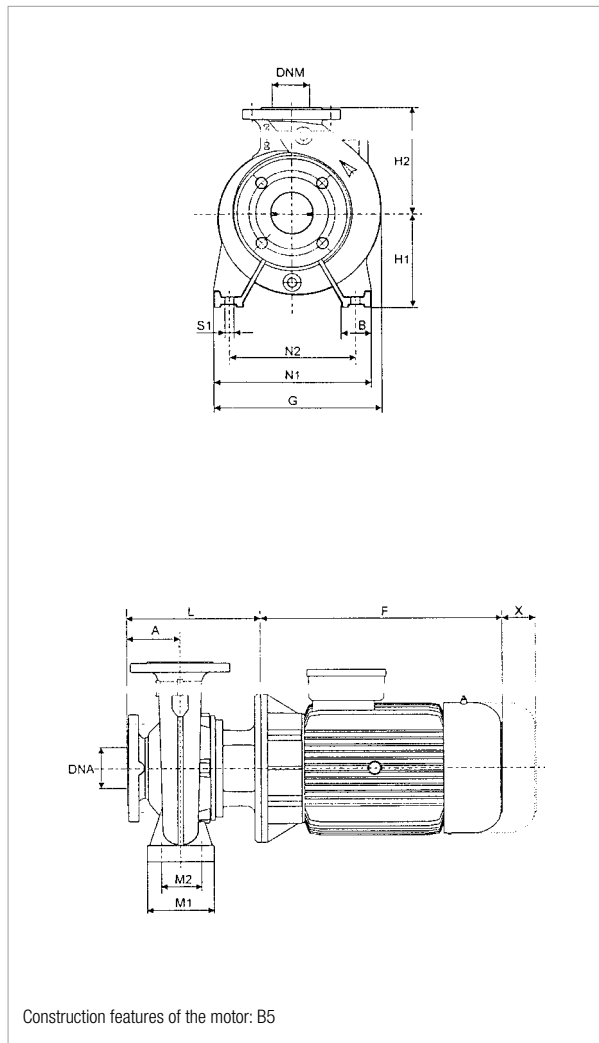
### SELECTION TABLE - NKM-G

MODEL	Q=	0	30	36	42	48	54	60	66	72	78	84	90	102	114	120	150	180	210	240	270	300	330	360	390	420			
	m <sup>3</sup> /h	0	500	600	700	800	900	1000	1100	1200	1300	1400	1500	1700	1900	2000	2500	3000	3500	4000	4500	5000	5500	6000	6500	7000			
	Q=																												
	l/min																												
NKM-G 80-160/153-136/1,5/4	H (m)	6,5	6,35	6,3	6,2	5,95	5,75	5,55	5,3	5	4,7	4,5	4,25	3,65	3														
NKM-G 80-160/163/2,2/4		8,65	8,5	8,45	8,3	8,15	7,9	7,7	7,4	7,2	6,9	6,65	6,3	5,7	4,9	4,6													
NKM-G 80-160/177/3/4		10,2	10,2	10,1	10	9,9	9,75	9,65	9,5	9,25	9	8,8	8,6	7,9	7,2	6,7													
NKM-G 80-200/200/4/4		13,2			13,1	13	12,9	12,8	12,7	12,4	12	11,7	11,3	10,4	9,3	8,7													
NKM-G 80-200/222/5,5/4		16,6			16,5	16,5	16,4	16,2	16,1	16	15,7	15,4	15	14,3	13,3	12,7													
NKM-G 80-250/240/7,5/4		20,4			20,3	20,3	20,2	20,1	20	19,9	19,8	19,5	19	18	16,7	16													
NKM-G 80-250/270/11/4		25,6			25,5	25,5	25,4	25,1	25	24,8	24,6	24,2	24	23	21,5	21													
NKM-G 80-315/305/15/4		32,9					32,7	32,6	32,6	32,5	32,4	32	31,6	30,5	29,5	28,9	24												
NKM-G 80-315/320/18,5/4		36,8					36,7	36,7	36,6	36,5	36,5	36,5	36,1	35,5	34,5	34	29,5												
NKM-G 80-315/334/22/4		41					40,8	40,8	40,7	40,6	40,6	40,4	40,2	39,8	39	38,5	34,8	29											
NKM-G 100-200/200/5,5/4		12,7						12,6	12,6	12,5	12,5	12,4	12,3	12	11,5	11,4	10,1	8,5											
NKM-G 100-200/214/7,5/4		15,6						15,4	15,4	15,3	15,2	15,1	15	14,7	14,5	14,3	13,3	11,6	9,8										
NKM-G 100-250/250/11/4		21,1						21	21	21	21	21	21	20,9	20	19,8	18	16											
NKM-G 100-250/270/15/4		25,5						25,5	25,5	25,5	25,3	25,1	25,1	25	24,5	24	22,5	20,5	17,5										
NKM-G 100-315/300/18,5/4		32											31,5	31,4	31	30,5	28,8	26	23										
NKM-G 100-315/316/22/4		36											35,5	35,2	35	34,6	33,2	31	28	24									
NKM-G 125-250/243/15/4		19,5													19,3	19,3	19,2	19,2	18,7	17,8	16,8	15,5	14,1	12,5	10,9				
NKM-G 125-250/256/18,5/4		21,9													21,8	21,8	21,7	21,6	21,3	20,5	19,5	18,5	17,2	15,6	14	12			
NKM-G 125-250/266/22/4		24,6													24,4	24,2	24,1	24	23,5	22,9	22	21	19,8	18,5	16,7	15			
NKM-G 150-200/218/11/4		13,2													13,1	13	13	12,8	12,5	12,1	11,5	11	10,4	9,7	9	8	7		

# NKM-G 32-125.1 - 4 POLES - STANDARDISED MONOBLOC PUMPS

Pumped liquid temperature range: from -10 °C to +140 °C - Maximum ambient temperature: +40°C

≈ 1450 1/min



For MEI index refer to the hydraulic efficiency section.

The performance curves are based on kinematic viscosity values = 1 mm<sup>2</sup>/s and density equal to 1000 kg/m<sup>3</sup>. Curve tolerance according to ISO 9906.

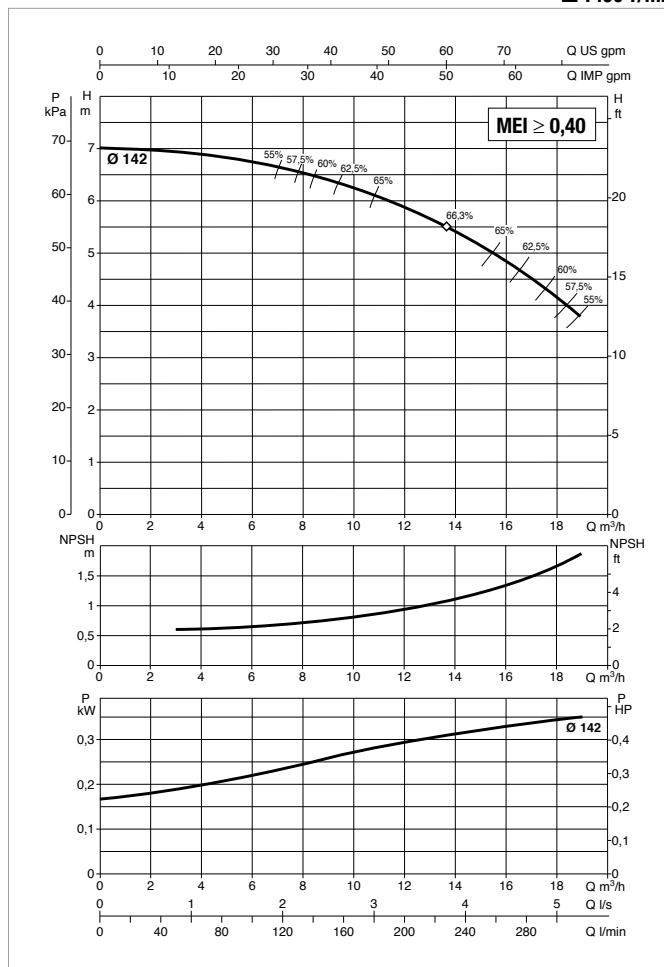
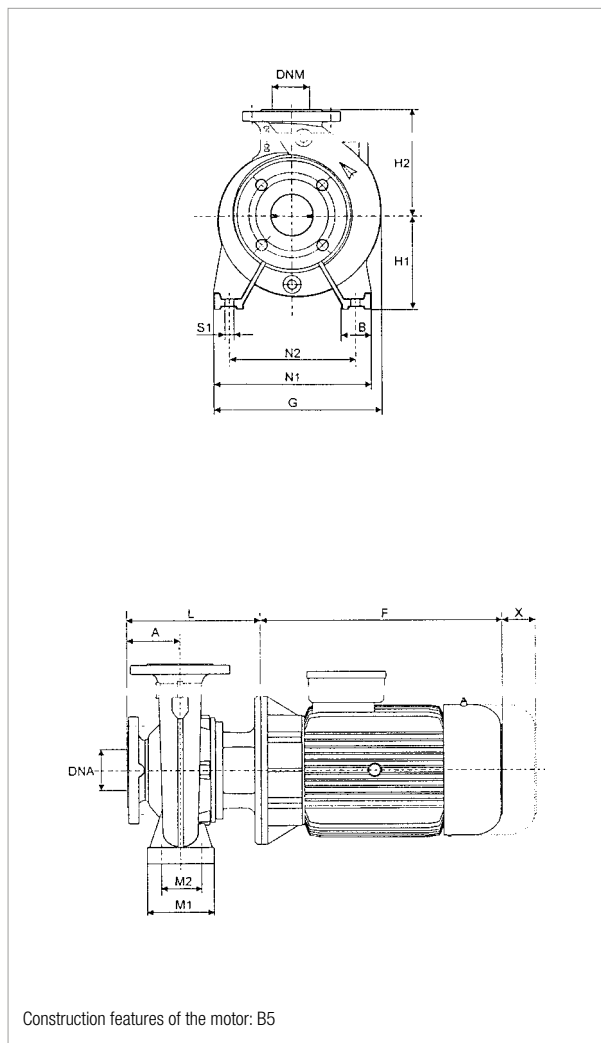
MODEL	ELECTRICAL DATA						
	MOTOR SIZE	POWER INPUT 50 Hz	P2 NOMINAL		In A		TYPE MOTOR
			kW	HP	230 V	400 V	
NKM-G 32-125.1/140/0,25/4	MEC 71	3 x 230 - 400 V ~	0,25	0,33	1,56	0,9	-

MODEL	A	B	E	F	G	H1	H2	L	M1	M2	N1	N2	N3	S1	S2	W	X	H3	H4	Ø (mm) Mech. seal	DNA	DNM	PACKING DIMENSIONS			VOLUME (m <sup>3</sup> )	WEIGHT Kg
	L/A	L/B	H																								
NKM-G 32-125.1/140/0,25/4	80	50	-	208	234	112	140	201	100	70	190	140	-	M10	-	-	100	-	-	28	50	32	620	370	480	0,11	32,8

# NKM-G 32-125 - 4 POLES - STANDARDISED MONOBLOC PUMPS

Pumped liquid temperature range: from -10 °C to +140 °C - Maximum ambient temperature: +40°C

≅ 1450 1/min



For MEI index refer to the hydraulic efficiency section.

The performance curves are based on kinematic viscosity values = 1 mm<sup>2</sup>/s and density equal to 1000 kg/m<sup>3</sup>. Curve tolerance according to ISO 9906.

MODEL	ELECTRICAL DATA						
	MOTOR SIZE	POWER INPUT 50 Hz	P2 NOMINAL		In A		MOTOR TYPE
			kW	HP	230 V	400 V	
NKM-G 32-125/142/0,37/4	MEC 71	3 x 230 - 400 V ~	0,37	0,5	1,69	1	-

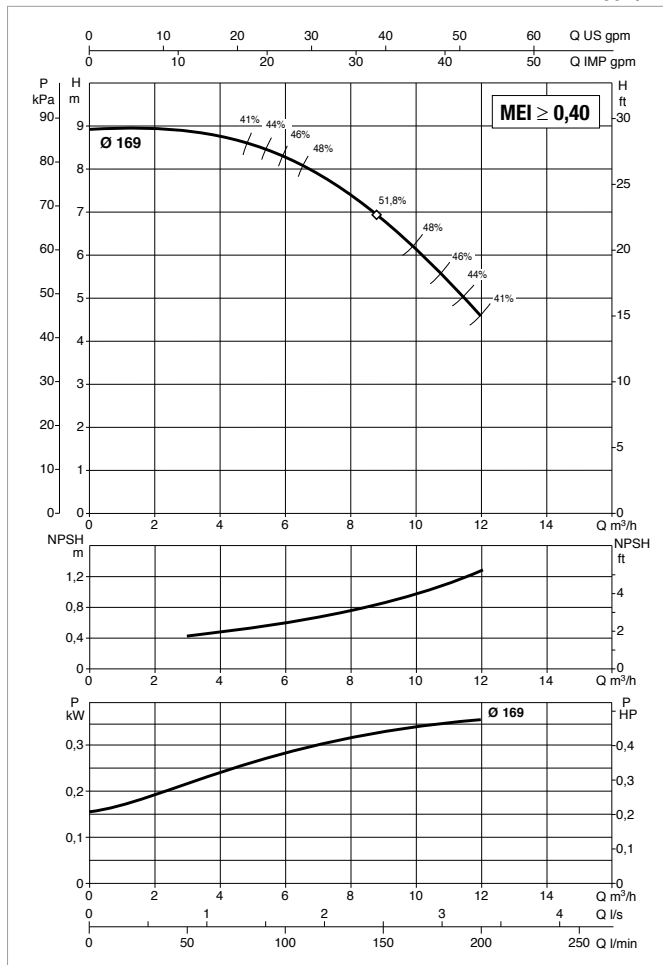
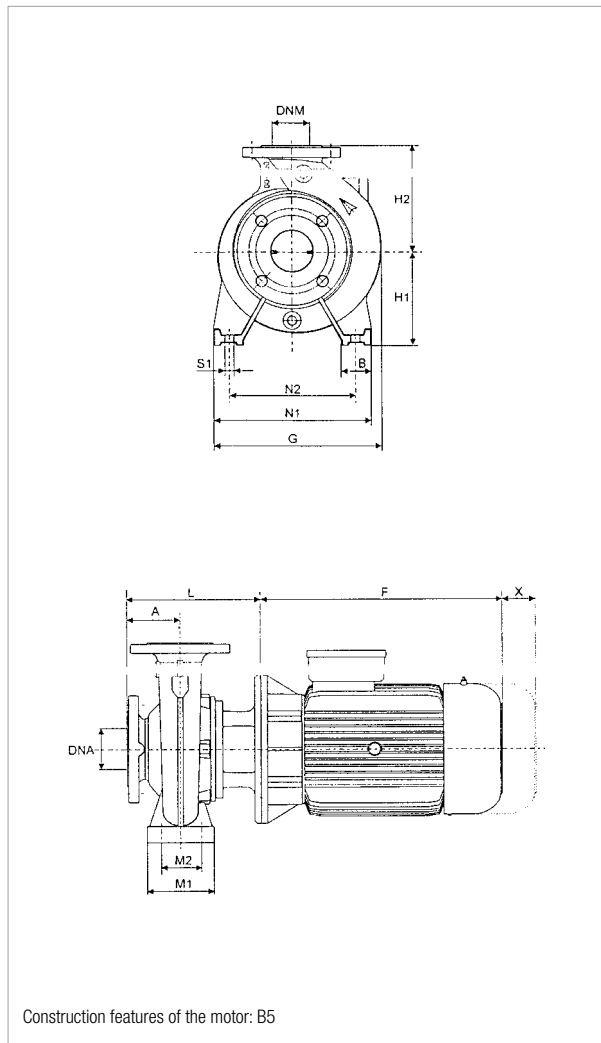
MODEL	A	B	E	F	G	H1	H2	L	M1	M2	N1	N2	N3	S1	S2	W	X	H3	H4	Ø (mm) Mech. seal	DNA	DNM	PACKING DIMENSIONS			VOLUME (m <sup>3</sup> )	WEIGHT Kg
																							L/A	L/B	H		
NKM-G 32-125/142/0,37/4	80	50	-	208	234	112	140	201	100	70	190	140	-	M10	-	-	100	-	-	28	50	32	620	370	480	0,11	33,5



# NKM-G 32-160.1 - 4 POLES - STANDARDISED MONOBLOC PUMPS

Pumped liquid temperature range: from -10 °C to +140 °C - Maximum ambient temperature: +40°C

≈ 1450 1/min



For MEI index refer to the hydraulic efficiency section.

The performance curves are based on kinematic viscosity values = 1 mm<sup>2</sup>/s and density equal to 1000 kg/m<sup>3</sup>. Curve tolerance according to ISO 9906.

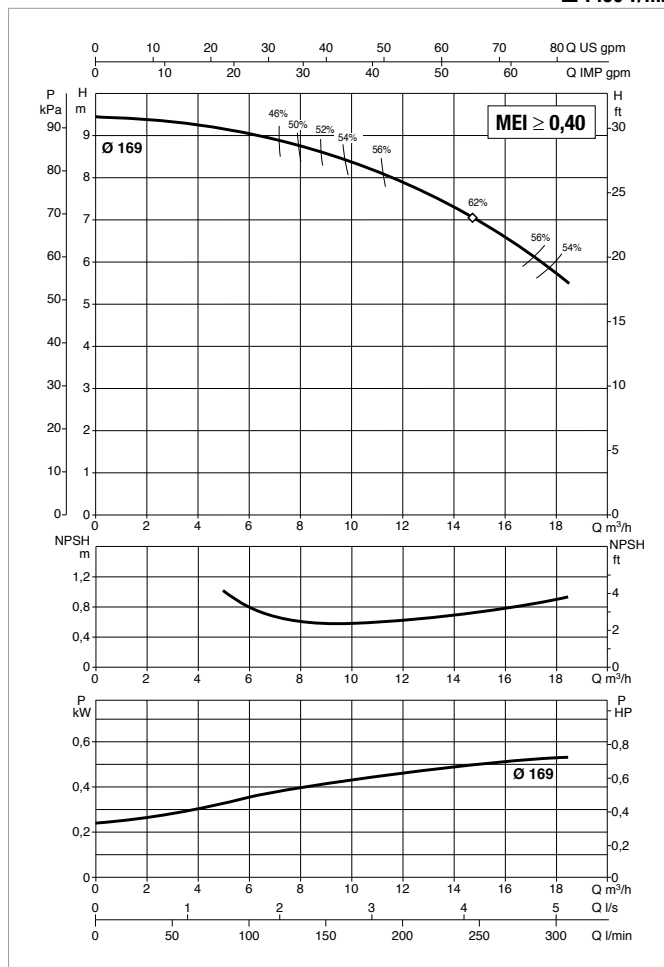
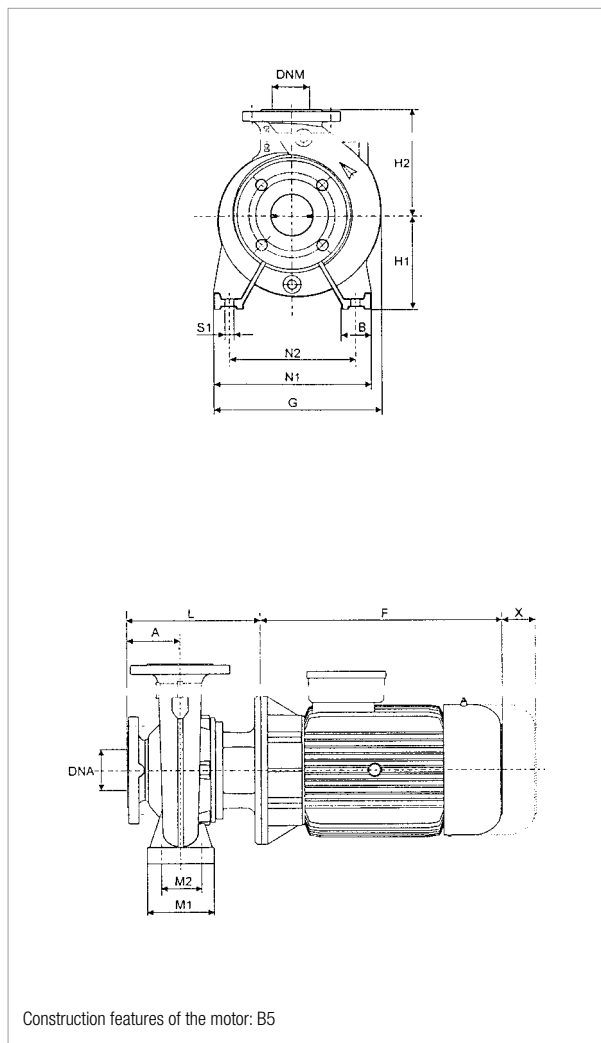
MODEL	MOTOR SIZE	POWER INPUT 50 Hz	ELECTRICAL DATA				TYPE MOTOR
			P2 NOMINAL		In A		
			kW	HP	230 V	400 V	
NKM-G 32-160.1/169/0,37/4	MEC 71	3 x 230 - 400 V ~	0,37	0,5	1,69	1	-

MODEL	A	B	E	F	G	H1	H2	L	M1	M2	N1	N2	N3	S1	S2	W	X	H3	H4	Ø (mm) Mech. seal	DNA	DNM	PACKING DIMENSIONS			VOLUME (m <sup>3</sup> )	WEIGHT Kg
																							L/A	L/B	H		
NKM-G 32-160.1/169/0,37/4	80	50	-	208	245	132	160	201	100	70	240	190	-	M10	-	-	100	-	-	28	50	32	620	370	480	0,11	35,6

# NKM-G 32-160 - 4 POLES - STANDARDISED MONOBLOC PUMPS

Pumped liquid temperature range: from -10 °C to +140 °C - Maximum ambient temperature: +40°C

≅ 1450 1/min



For MEI index refer to the hydraulic efficiency section.

The performance curves are based on kinematic viscosity values = 1 mm²/s and density equal to 1000 kg/m³. Curve tolerance according to ISO 9906.

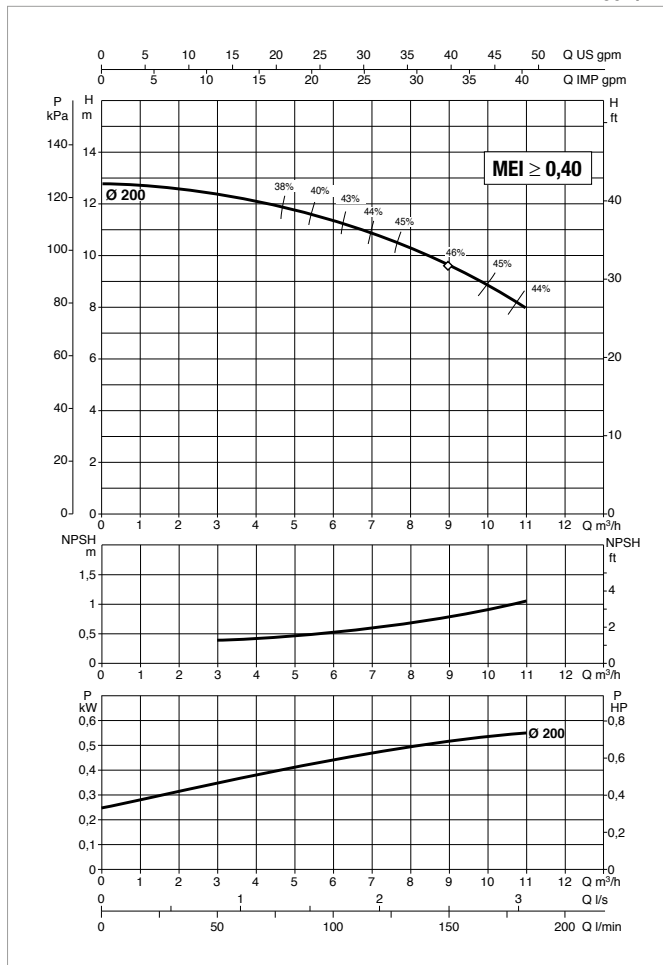
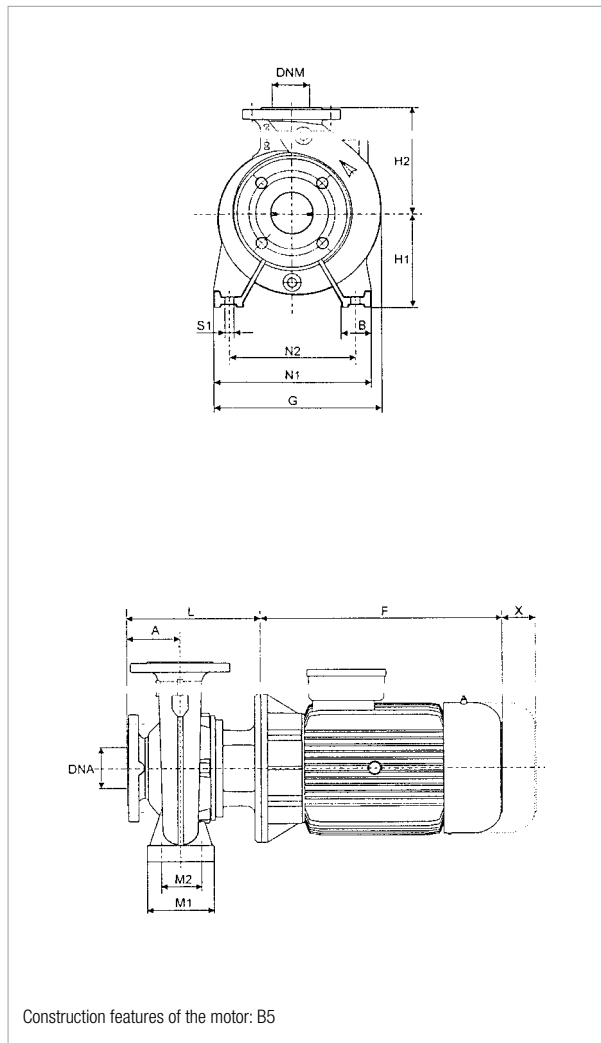
MODEL	MOTOR SIZE	POWER INPUT 50 Hz	ELECTRICAL DATA				MOTOR TYPE
			P2 NOMINAL		In A		
			kW	HP	230 V	400 V	
NKM-G 32-160/169/0,55/4	MEC 80	3 x 230 - 400 V ~	0,55	0,75	2,6	1,5	-

MODEL	A	B	E	F	G	H1	H2	L	M1	M2	N1	N2	N3	S1	S2	W	X	H3	H4	Ø (mm) Mech. seal	DNA	DNM	PACKING DIMENSIONS			VOLUME (m³)	WEIGHT Kg
																							L/A	L/B	H		
NKM-G 32-160/169/0,55/4	80	50	-	234	245	132	160	226	100	70	240	190	-	M10	-	-	100	-	-	28	50	32	620	370	480	0,11	39,8

# NKM-G 32-200.1 - 4 POLES - STANDARDISED MONOBLOC PUMPS

Pumped liquid temperature range: from -10 °C to +140 °C - Maximum ambient temperature: +40°C

≅ 1450 1/min



For MEI index refer to the hydraulic efficiency section.

The performance curves are based on kinematic viscosity values = 1 mm<sup>2</sup>/s and density equal to 1000 kg/m<sup>3</sup>. Curve tolerance according to ISO 9906.

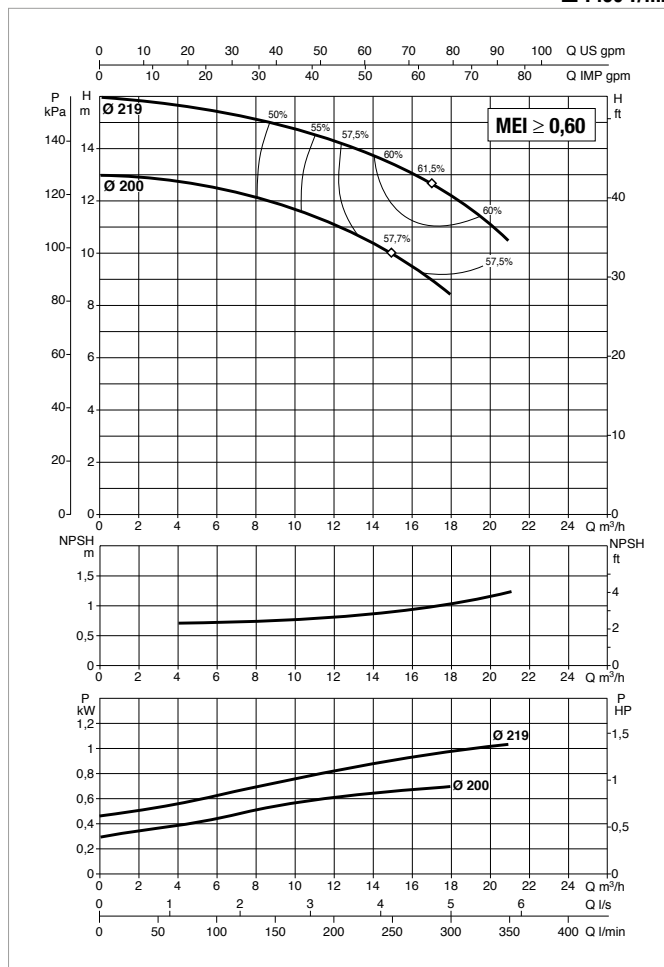
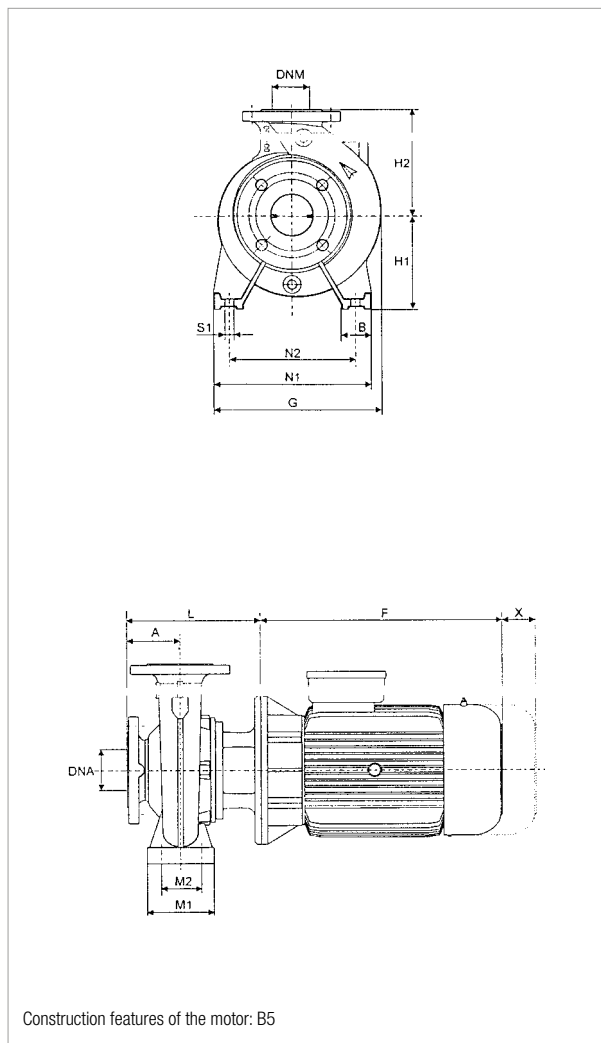
MODEL	MOTOR SIZE	POWER INPUT 50 Hz	ELECTRICAL DATA				MOTOR TYPE
			P2 NOMINAL		In A		
			kW	HP	230 V	400 V	
NKM-G 32-200.1/200/0,55/4	MEC 80	3 x 230 - 400 V ~	0,55	0,75	2,6	1,5	-

MODEL	A	B	E	F	G	H1	H2	L	M1	M2	N1	N2	N3	S1	S2	W	X	H3	H4	Ø (mm) Mech. seal	DNA	DNM	PACKING DIMENSIONS			VOLUME (m <sup>3</sup> )	WEIGHT Kg
																							L/A	L/B	H		
NKM-G 32-200.1/200/0,55/4	80	50	-	234	279	160	180	226	100	70	240	190	-	M10	-	-	100	-	-	28	50	32	620	370	480	0,11	45

# NKM-G 32-200 - 4 POLES - STANDARDISED MONOBLOC PUMPS

Pumped liquid temperature range: from -10 °C to +140 °C - Maximum ambient temperature: +40°C

≅ 1450 1/min



For MEI index refer to the hydraulic efficiency section.

The performance curves are based on kinematic viscosity values = 1 mm²/s and density equal to 1000 kg/m³. Curve tolerance according to ISO 9906.

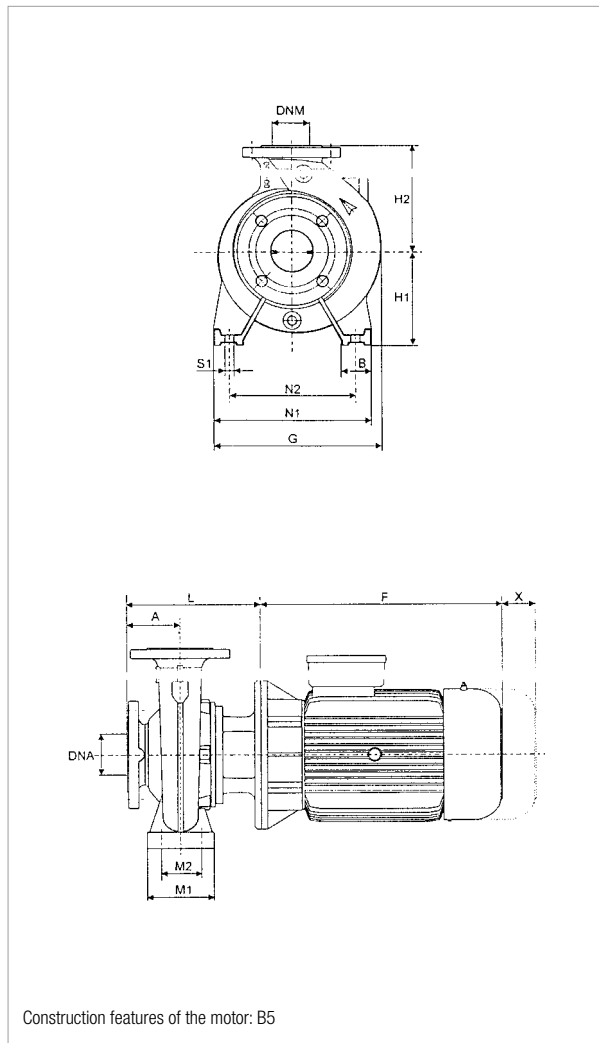
MODEL	ELECTRICAL DATA						
	MOTOR SIZE	POWER INPUT 50 Hz	P2 NOMINAL		In A		MOTOR TYPE
			kW	HP	230 V	400 V	
NKM-G 32-200/200/0,75/4	MEC 80	3 x 230 - 400 V ~	0,75	1	3,1	1,8	IE3
NKM-G 32-200/219/1,1/4	MEC 90 S	3 x 230 - 400 V ~	1,1	1,5	4,3	2,5	IE3

MODEL	A	B	E	F	G	H1	H2	L	M1	M2	N1	N2	N3	S1	S2	W	X	H3	H4	Ø (mm) Mech. seal	DNA	DNM	PACKING DIMENSIONS			VOLUME (m³)	WEIGHT Kg
																							L/A	L/B	H		
NKM-G 32-200/200/0,75/4	80	50	-	232	279	160	180	226	100	70	240	190	-	M10	-	-	100	-	-	28	50	32	620	370	480	0,11	42
NKM-G 32-200/219/1,1/4	80	50	-	287,5	279	160	180	226	100	70	240	190	-	M10	-	-	100	-	-	28	50	32	620	370	480	0,11	41

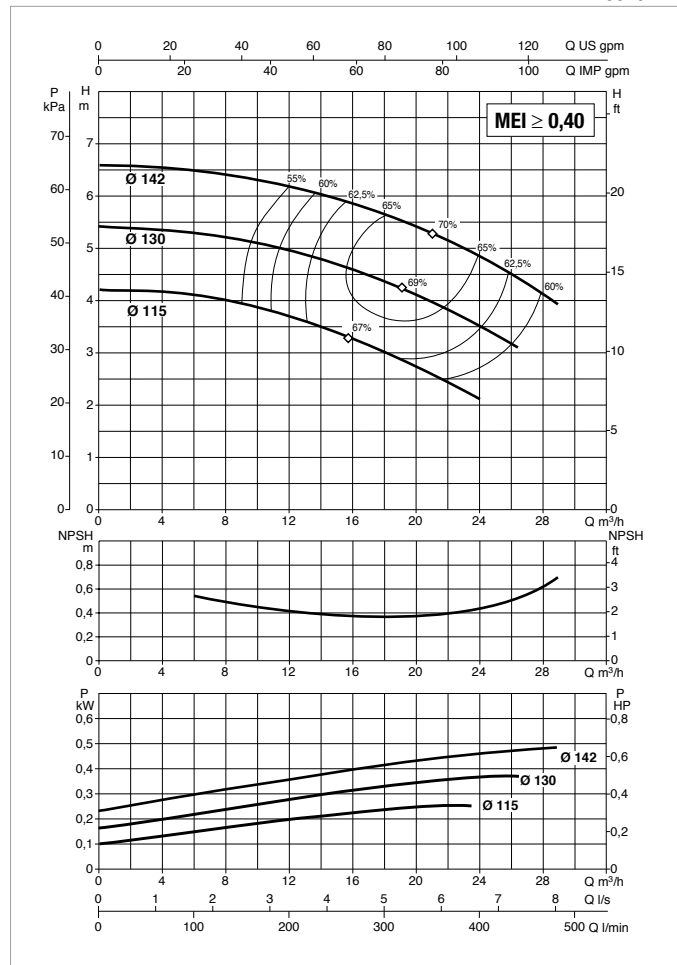
# NKM-G 40-125 - 4 POLES - STANDARDISED MONOBLOC PUMPS

Pumped liquid temperature range: from -10 °C to +140 °C - Maximum ambient temperature: +40°C

≅ 1450 1/min



Construction features of the motor: B5



For MEI index refer to the hydraulic efficiency section.

The performance curves are based on kinematic viscosity values = 1 mm<sup>2</sup>/s and density equal to 1000 kg/m<sup>3</sup>. Curve tolerance according to ISO 9906.

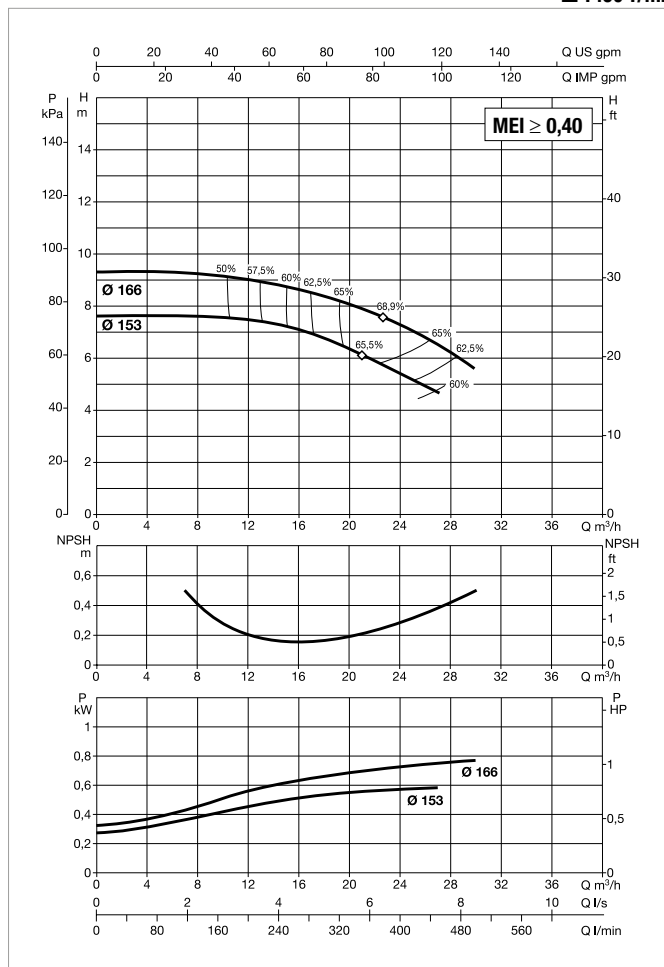
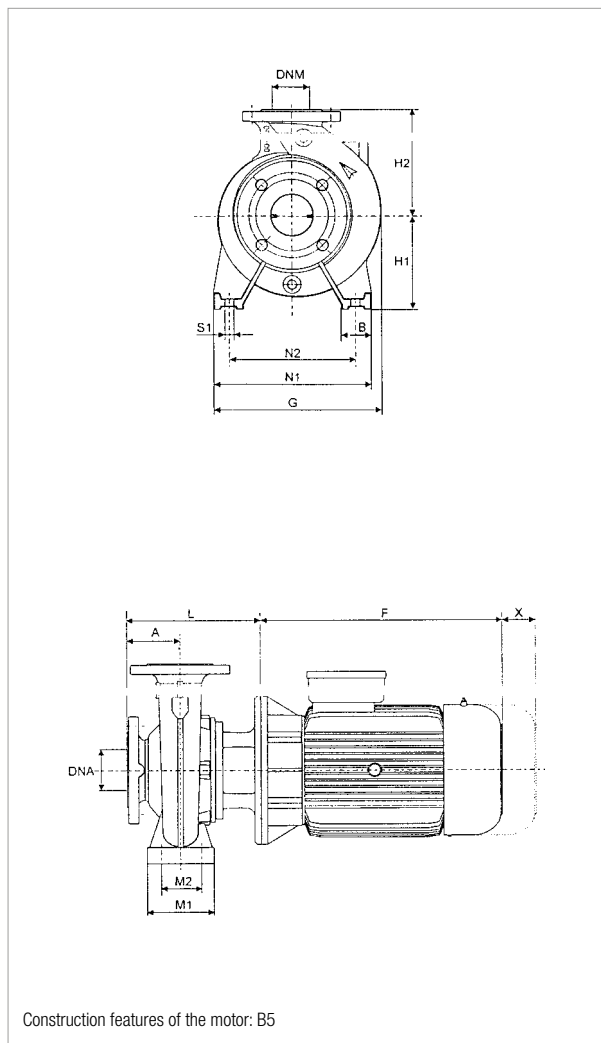
MODEL	ELECTRICAL DATA						
	MOTOR SIZE	POWER INPUT 50 Hz	P2 NOMINAL		In A		MOTOR TYPE
			kW	HP	230 V	400 V	
NKM-G 40-125/115/0,25/4	MEC 71	3 x 230 - 400 V ~	0,25	0,33	1,56	0,9	-
NKM-G 40-125/130/0,37/4	MEC 71	3 x 230 - 400 V ~	0,37	0,5	1,69	1	-
NKM-G 40-125/142/0,55/4	MEC 80	3 x 230 - 400 V ~	0,55	0,75	2,6	1,5	-

MODEL	A	B	E	F	G	H1	H2	L	M1	M2	N1	N2	N3	S1	S2	W	X	H3	H4	Ø (mm) Mech. seal	DNA	DNM	PACKING DIMENSIONS			VOLUME (m <sup>3</sup> )	WEIGHT Kg
																							L/A	L/B	H		
NKM-G 40-125/115/0,25/4	80	50	-	208	235	112	140	201	100	70	210	160	-	M10	-	-	100	-	-	28	65	40	620	370	480	0,11	34,2
NKM-G 40-125/130/0,37/4	80	50	-	208	235	112	140	201	100	70	210	160	-	M10	-	-	100	-	-	28	65	40	620	370	480	0,11	35,3
NKM-G 40-125/142/0,55/4	80	50	-	234	235	112	140	201	100	70	210	160	-	M10	-	-	100	-	-	28	65	40	620	370	480	0,11	39,4

# NKM-G 40-160 - 4 POLES - STANDARDISED MONOBLOC PUMPS

Pumped liquid temperature range: from -10 °C to +140 °C - Maximum ambient temperature: +40°C

≅ 1450 1/min



**For MEI index refer to the hydraulic efficiency section.**  
 The performance curves are based on kinematic viscosity values = 1 mm<sup>2</sup>/s and density equal to 1000 kg/m<sup>3</sup>. Curve tolerance according to ISO 9906.

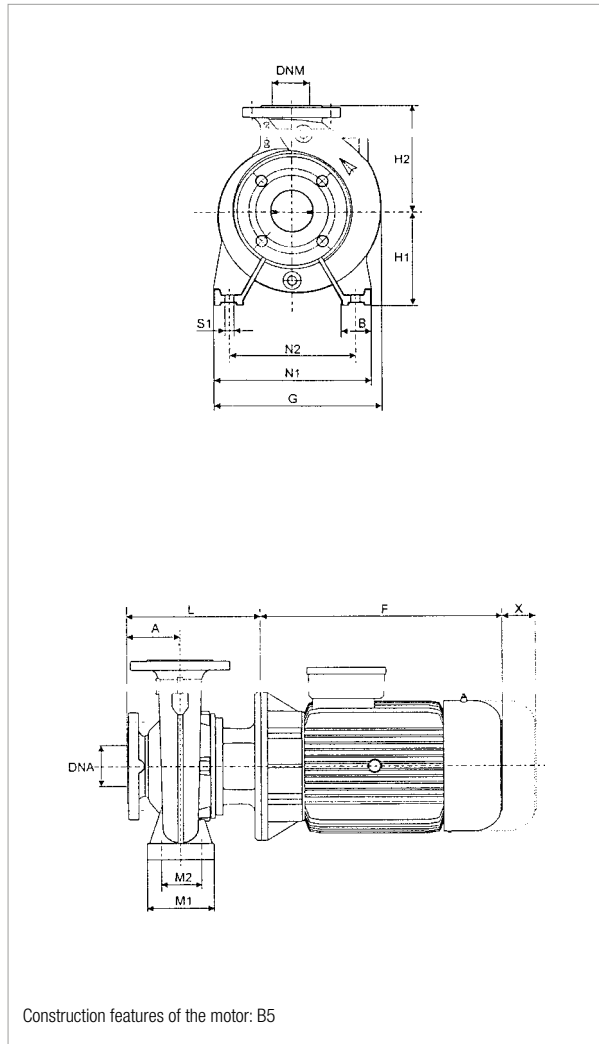
MODEL	ELECTRICAL DATA						
	MOTOR SIZE	POWER INPUT 50 Hz	P2 NOMINAL		In A		MOTOR TYPE
			kW	HP	230 V	400 V	
NKM-G 40-160/153/0,55/4	MEC 80	3 x 230 - 400 V ~	0,55	0,75	2,6	1,5	-
NKM-G 40-160/166/0,75/4	MEC 80	3 x 230 - 400 V ~	0,75	1	3,1	1,8	IE3

MODEL	A	B	E	F	G	H1	H2	L	M1	M2	N1	N2	N3	S1	S2	W	X	H3	H4	Ø (mm) Mech. seal	DNA	DNM	PACKING DIMENSIONS			VOLUME (m <sup>3</sup> )	WEIGHT Kg
																							L/A	L/B	H		
NKM-G 40-160/153/0,55/4	80	50	-	234	253	132	160	226	100	70	240	190	-	M10	-	-	100	-	-	28	65	40	620	370	480	0,11	40
NKM-G 40-160/166/0,75/4	80	50	-	232	253	132	160	226	100	70	240	190	-	M10	-	-	100	-	-	28	65	40	620	370	480	0,11	35

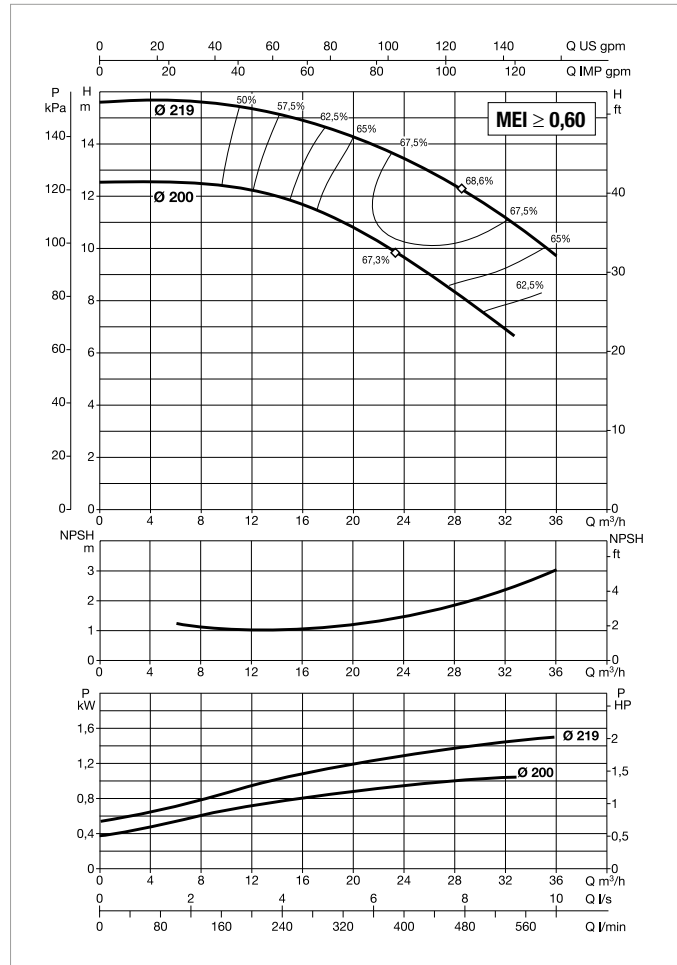
# NKM-G 40-200 - 4 POLES - STANDARDISED MONOBLOC PUMPS

Pumped liquid temperature range: from -10 °C to +140 °C - Maximum ambient temperature: +40°C

≈ 1450 1/min



Construction features of the motor: B5



For MEI index refer to the hydraulic efficiency section.

The performance curves are based on kinematic viscosity values = 1 mm²/s and density equal to 1000 kg/m³. Curve tolerance according to ISO 9906.

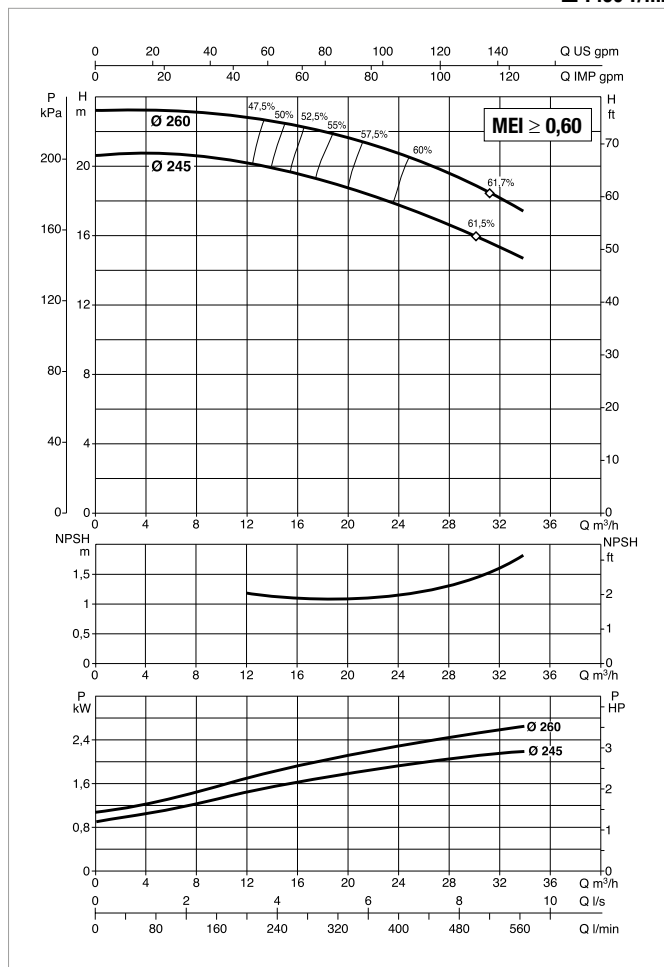
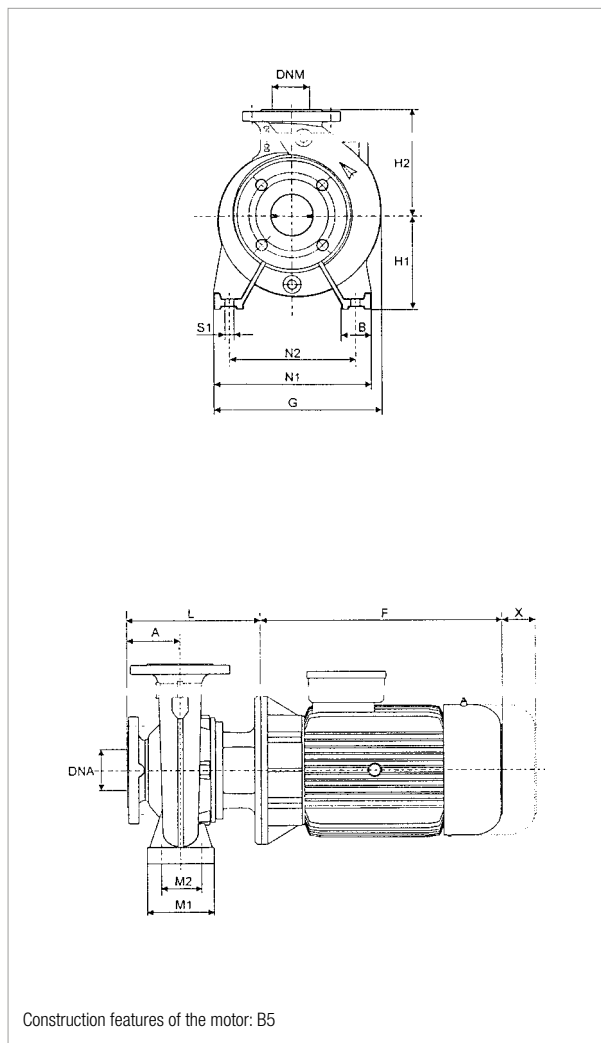
MODEL	MOTOR SIZE	POWER INPUT 50 Hz	ELECTRICAL DATA				MOTOR TYPE
			P2 NOMINAL		In A		
			kW	HP	230 V	400 V	
NKM-G 40-200/200/1,1/4	MEC 90 S	3 x 230 - 400 V ~	1,1	1,5	4,3	2,5	IE3
NKM-G 40-200/219/1,5/4	MEC 90 L	3 x 230 - 400 V ~	1,5	2	6,2	3,6	IE3

MODEL	A	B	E	F	G	H1	H2	L	M1	M2	N1	N2	N3	S1	S2	W	X	H3	H4	Ø (mm) Mech. seal	DNA	DNM	PACKING DIMENSIONS			VOLUME (m³)	WEIGHT Kg
																							L/A	L/B	H		
NKM-G 40-200/200/1,1/4	100	50	-	287,5	296	160	180	246	100	70	265	212	-	M10	-	-	100	-	-	28	65	40	620	370	480	0,11	41
NKM-G 40-200/219/1,5/4	100	50	-	287,5	296	160	180	246	100	70	265	212	-	M10	-	-	100	-	-	28	65	40	620	370	480	0,11	42

# NKM-G 40-250 - 4 POLES - STANDARDISED MONOBLOC PUMPS

Pumped liquid temperature range: from -10 °C to +140 °C - Maximum ambient temperature: +40°C

≅ 1450 1/min



For MEI index refer to the hydraulic efficiency section.  
The performance curves are based on kinematic viscosity values = 1 mm²/s and density equal to 1000 kg/m³. Curve tolerance according to ISO 9906.

MODEL	MOTOR SIZE	POWER INPUT 50 Hz	ELECTRICAL DATA				MOTOR TYPE
			P2 NOMINAL		In A		
			kW	HP	230 V	400 V	
NKM-G 40-250/245/2,2/4	MEC 100 L	3 x 230 - 400 V ~	2,2	3	10,2	5,9	IE3
NKM-G 40-250/260/3/4	MEC 100 L	3 x 400 V ~	3	4	-	6,8	IE3

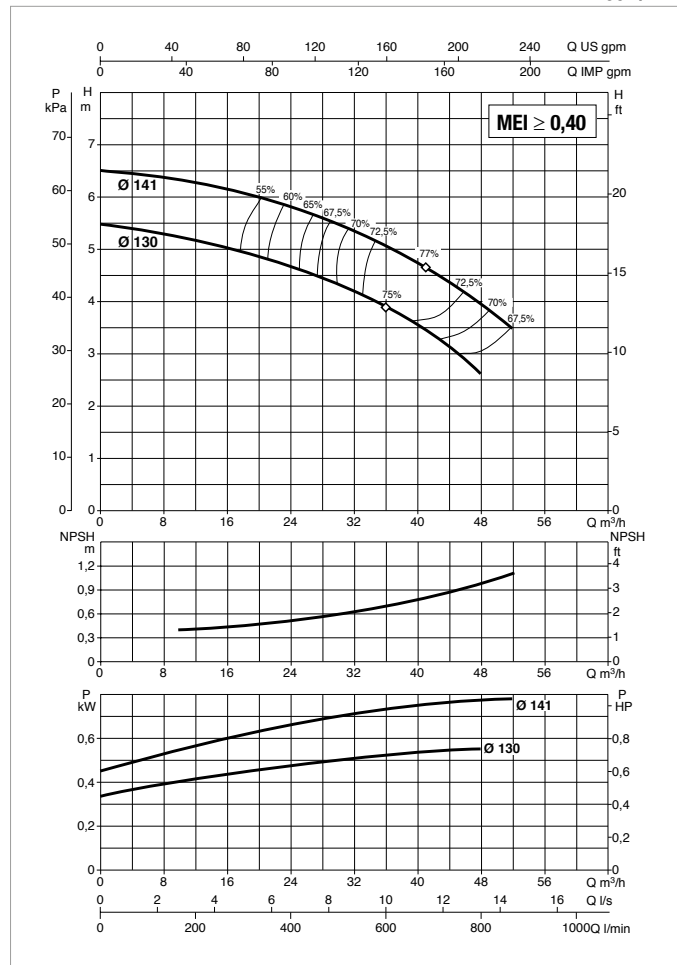
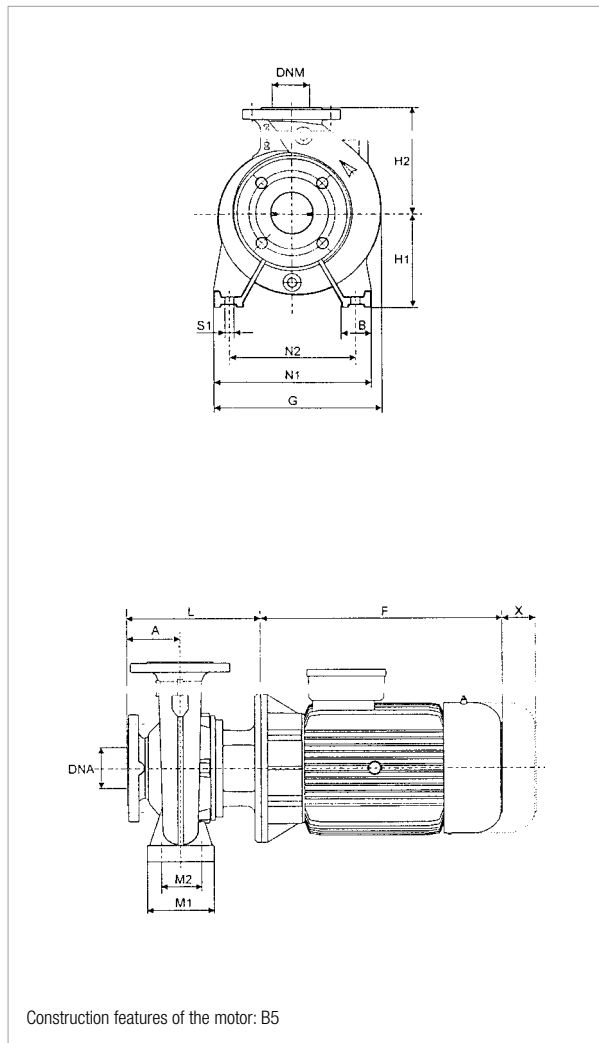
MODEL	A	B	E	F	G	H1	H2	L	M1	M2	N1	N2	N3	S1	S2	W	X	H3	H4	Ø (mm) Mech. seal	DNA	DNM	PACKING DIMENSIONS			VOLUME (m³)	WEIGHT Kg
																							L/A	L/B	H		
NKM-G 40-250/245/2,2/4	100	65	-	319	336	180	225	274	125	95	320	250	-	M10	-	-	100	-	-	28	65	40	670	420	540	0,152	63
NKM-G 40-250/260/3/4	100	65	-	321	336	180	225	274	125	95	320	250	-	M10	-	-	100	-	-	28	65	40	670	420	540	0,152	59



# NKM-G 50-125 - 4 POLES - STANDARDISED MONOBLOC PUMPS

Pumped liquid temperature range: from -10 °C to +140 °C - Maximum ambient temperature: +40°C

≈ 1450 1/min



For MEI index refer to the hydraulic efficiency section.

The performance curves are based on kinematic viscosity values = 1 mm²/s and density equal to 1000 kg/m³. Curve tolerance according to ISO 9906.

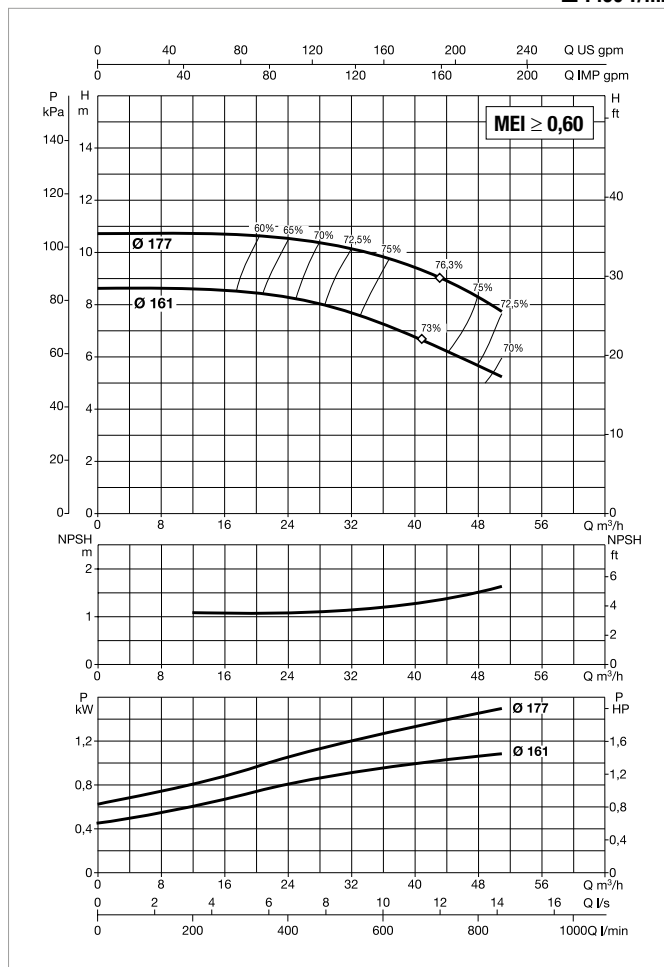
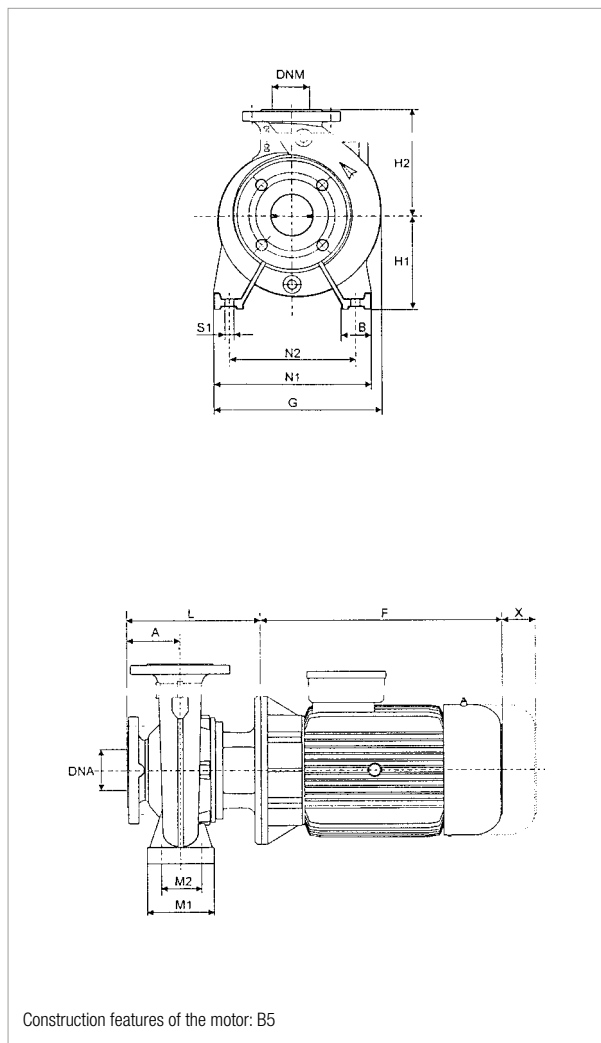
MODEL	ELECTRICAL DATA						
	MOTOR SIZE	POWER INPUT 50 Hz	P2 NOMINAL		In A		MOTOR TYPE
			kW	HP	230 V	400 V	
NKM-G 50-125/130/0,55/4	MEC 71	3 x 230 - 400 V ~	0,55	0,75	2,6	1,5	-
NKM-G 50-125/141/0,75/4	MEC 80	3 x 230 - 400 V ~	0,75	1	3,1	1,8	IE3

MODEL	A	B	E	F	G	H1	H2	L	M1	M2	N1	N2	N3	S1	S2	W	X	H3	H4	Ø (mm) Mech. seal	DNA	DNM	PACKING DIMENSIONS			VOLUME (m³)	WEIGHT Kg
																							L/A	L/B	H		
NKM-G 50-125/130/0,55/4	100	50	-	234	250	132	160	246	100	70	240	190	-	M10	-	-	100	-	-	28	65	50	620	370	480	0,11	43
NKM-G 50-125/141/0,75/4	100	50	-	232	250	132	160	246	100	70	240	190	-	M10	-	-	100	-	-	28	65	50	620	370	480	0,11	38

# NKM-G 50-160 - 4 POLES - STANDARDISED MONOBLOC PUMPS

Pumped liquid temperature range: from -10 °C to +140 °C - Maximum ambient temperature: +40°C

≅ 1450 1/min



For MEI index refer to the hydraulic efficiency section.

The performance curves are based on kinematic viscosity values = 1 mm<sup>2</sup>/s and density equal to 1000 kg/m<sup>3</sup>. Curve tolerance according to ISO 9906.

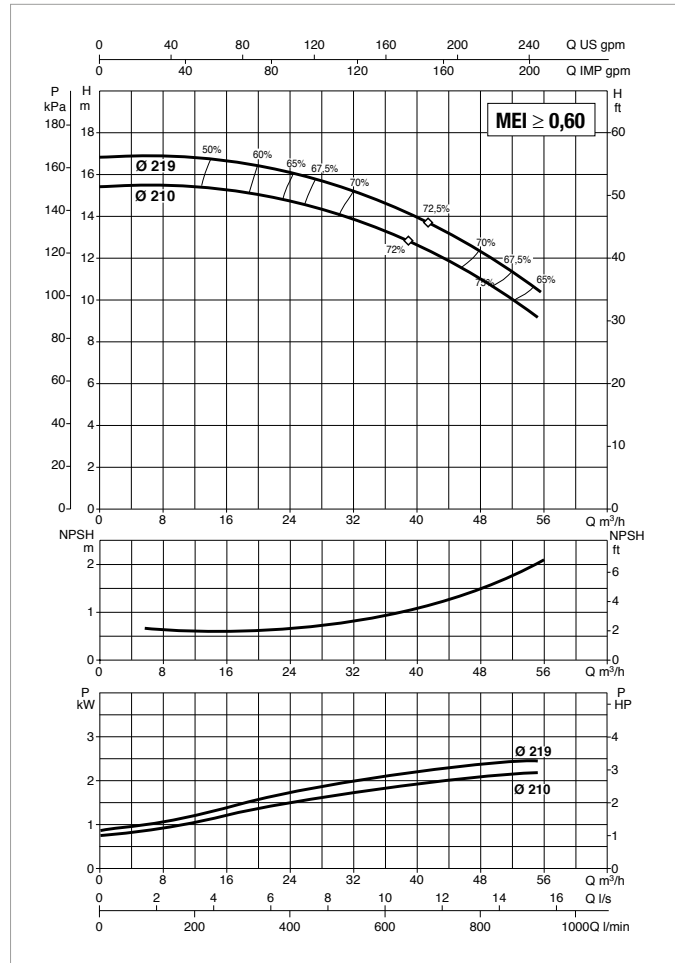
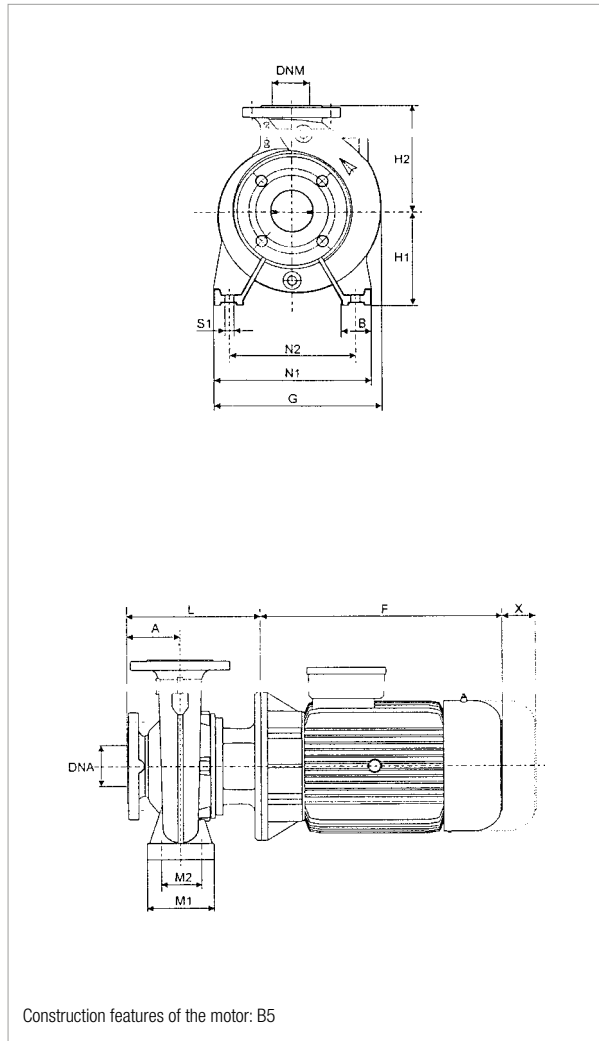
MODEL	ELECTRICAL DATA						
	MOTOR SIZE	POWER INPUT 50 Hz	P2 NOMINAL		In A		MOTOR TYPE
			kW	HP	230 V	400 V	
NKM-G 50-160/161/1,1/4	MEC 90 S	3 x 230 - 400 V ~	1,1	1,5	4,3	2,5	IE3
NKM-G 50-160/177/1,5/4	MEC 90 L	3 x 230 - 400 V ~	1,5	2	6,2	3,6	IE3

MODEL	A	B	E	F	G	H1	H2	L	M1	M2	N1	N2	N3	S1	S2	W	X	H3	H4	Ø (mm) Mech. seal	DNa	DNM	PACKING DIMENSIONS			VOLUME (m <sup>3</sup> )	WEIGHT Kg
																							L/A	L/B	H		
NKM-G 50-160/161/1,1/4	100	50	-	287,5	282	160	180	274	100	70	265	212	-	M10	-	-	100	-	-	28	65	50	620	370	480	0,11	37
NKM-G 50-160/177/1,5/4	100	50	-	287,5	282	160	180	274	100	70	265	212	-	M10	-	-	100	-	-	28	65	50	620	370	480	0,11	35

# NKM-G 50-200 - 4 POLES - STANDARDISED MONOBLOC PUMPS

Pumped liquid temperature range: from -10 °C to +140 °C - Maximum ambient temperature: +40°C

≅ 1450 1/min



For MEI index refer to the hydraulic efficiency section.

The performance curves are based on kinematic viscosity values = 1 mm²/s and density equal to 1000 kg/m³. Curve tolerance according to ISO 9906.

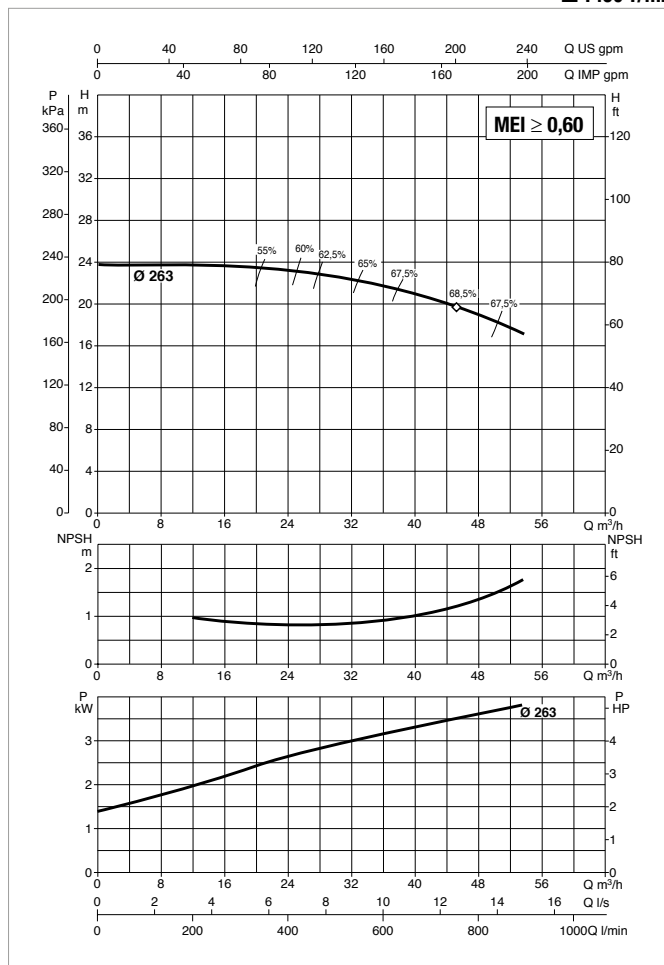
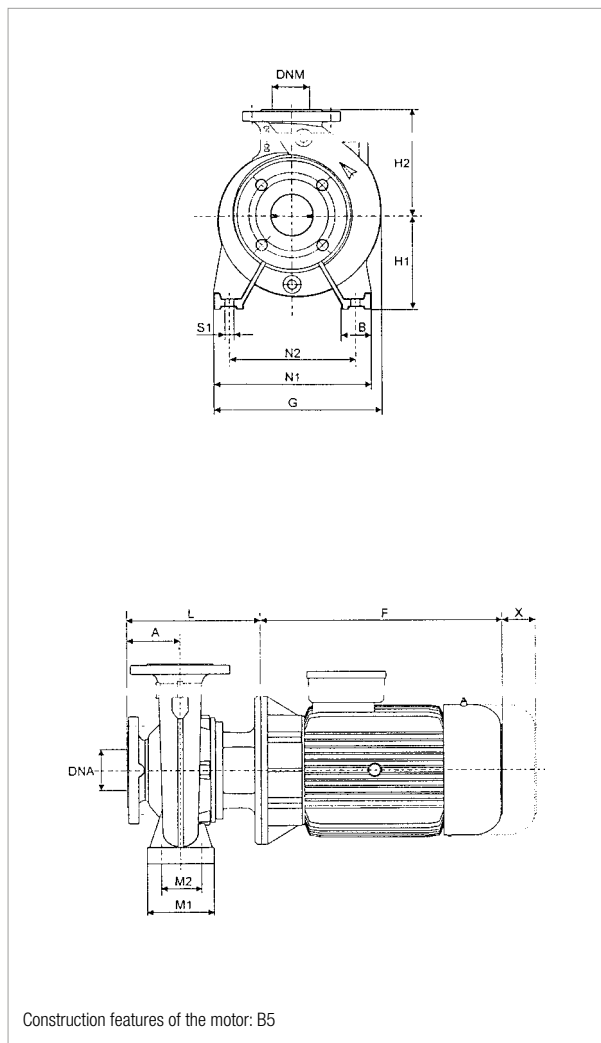
MODEL	ELECTRICAL DATA						
	MOTOR SIZE	POWER INPUT 50 Hz	P2 NOMINAL		In A		MOTOR TYPE
			kW	HP	230 V	400 V	
NKM-G 50-200/210/2,2/4	MEC 100 L	3 x 230 - 400 V ~	2,2	3	10,2	5,9	IE3
NKM-G 50-200/219/3/4	MEC 100 L	3 x 400 V ~	3	4	-	6,8	IE3

MODEL	A	B	E	F	G	H1	H2	L	M1	M2	N1	N2	N3	S1	S2	W	X	H3	H4	Ø (mm) Mech. seal	DNA	DNM	PACKING DIMENSIONS			VOLUME (m³)	WEIGHT Kg
																							L/A	L/B	H		
NKM-G 50-200/210/2,2/4	100	50	-	319	302	160	200	274	100	70	265	212	-	M10	-	-	100	-	-	28	65	50	670	420	540	0,152	55
NKM-G 50-200/219/3/4	100	50	-	321	302	160	200	274	100	70	265	212	-	M10	-	-	100	-	-	28	65	50	670	420	540	0,152	52

# NKM-G 50-250 - 4 POLES - STANDARDISED MONOBLOC PUMPS

Pumped liquid temperature range: from -10 °C to +140 °C - Maximum ambient temperature: +40°C

≅ 1450 1/min



For MEI index refer to the hydraulic efficiency section.

The performance curves are based on kinematic viscosity values = 1 mm²/s and density equal to 1000 kg/m³. Curve tolerance according to ISO 9906.

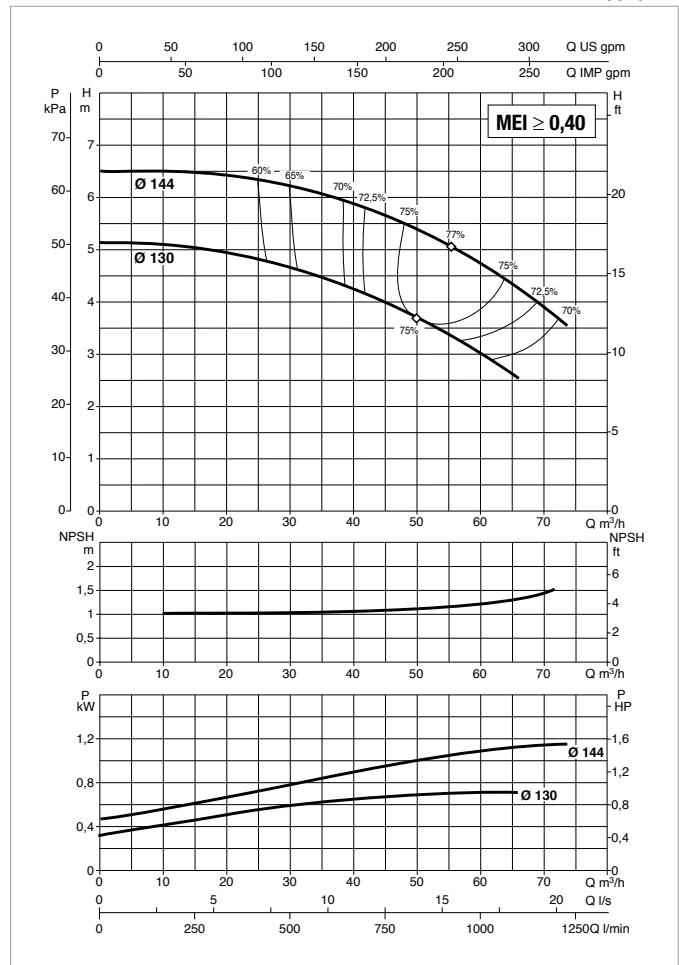
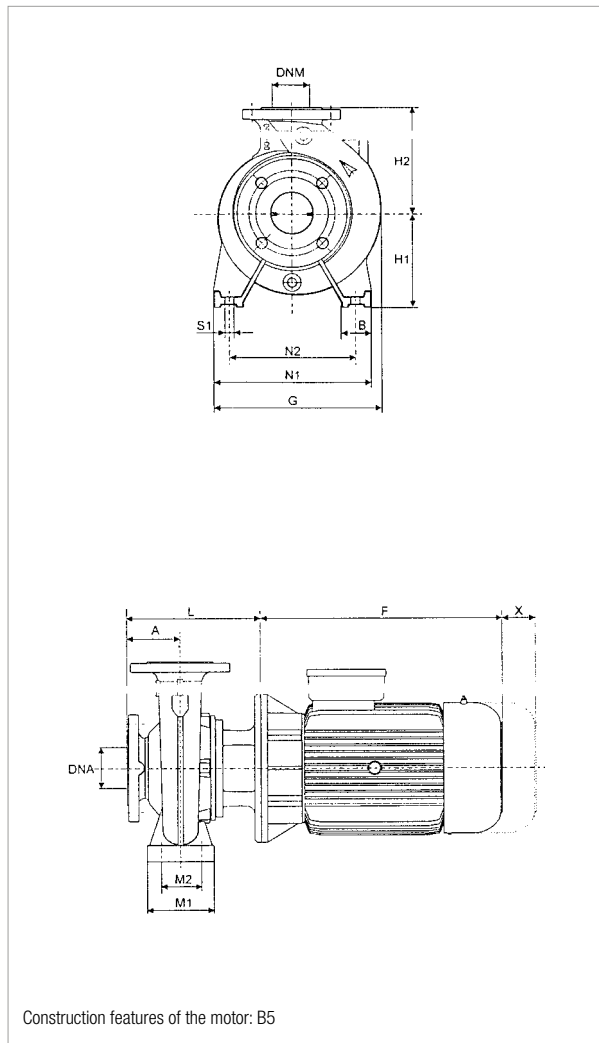
MODEL	ELECTRICAL DATA						
	MOTOR SIZE	POWER INPUT 50 Hz	P2 NOMINAL		In A		MOTOR TYPE
			kW	HP	230 V	400 V	
NKM-G 50-250/263/4/4	MEC 112 M	3 x 400 V ~	4	5,5	-	8,2	IE3

MODEL	A	B	E	F	G	H1	H2	L	M1	M2	N1	N2	N3	S1	S2	W	X	H3	H4	Ø (mm) Mech. seal	DNa	DNM	PACKING DIMENSIONS			VOLUME (m³)	WEIGHT Kg
	L/A	L/B	H																								
NKM-G 50-250/263/4/4	100	65	-	328	343	180	225	274	125	95	320	250	-	M10	-	-	100	-	-	28	65	50	670	420	540	0,152	56

# NKM-G 65-125 - 4 POLES - STANDARDISED MONOBLOC PUMPS

Pumped liquid temperature range: from -10 °C to +140 °C - Maximum ambient temperature: +40°C

≈ 1450 1/min



For MEI index refer to the hydraulic efficiency section.

The performance curves are based on kinematic viscosity values = 1 mm²/s and density equal to 1000 kg/m³. Curve tolerance according to ISO 9906.

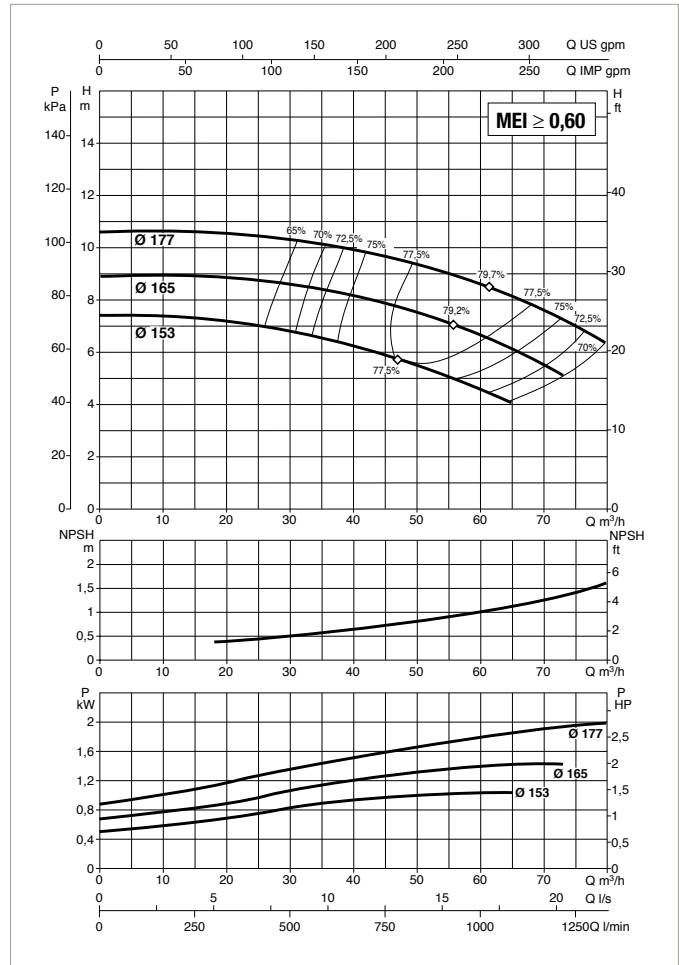
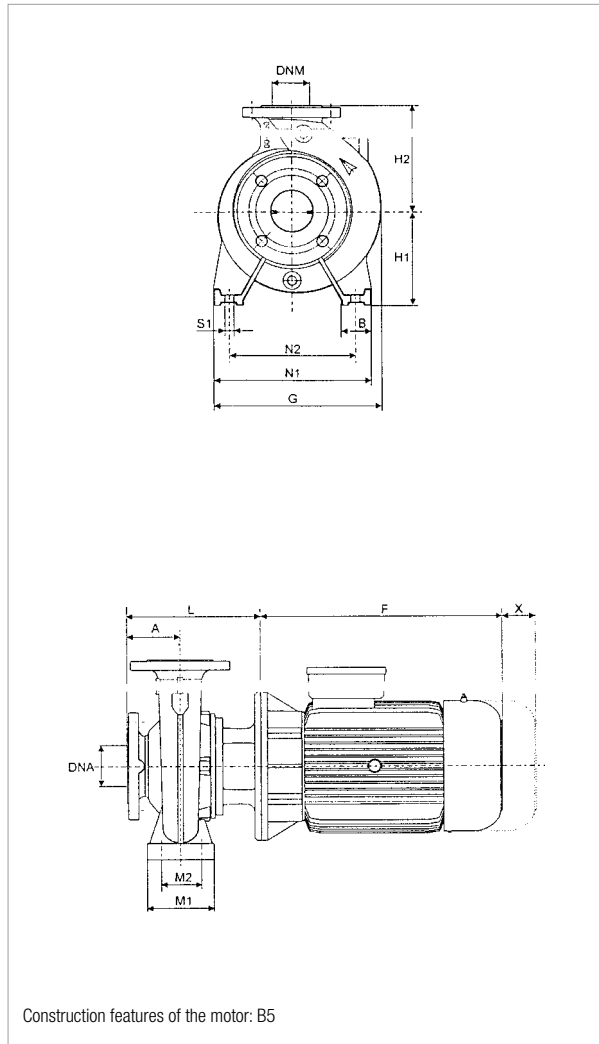
MODEL	ELECTRICAL DATA						
	MOTOR SIZE	POWER INPUT 50 Hz	P2 NOMINAL		In A		MOTOR TYPE
			kW	HP	230 V	400 V	
NKM-G 65-125/130/0,75/4	MEC 80	3 x 230 - 400 V ~	0,75	1	3,1	1,8	IE3
NKM-G 65-125/144/1,1/4	MEC 90 S	3 x 230 - 400 V ~	1,1	1,5	4,3	2,5	IE3

MODEL	A	B	E	F	G	H1	H2	L	M1	M2	N1	N2	N3	S1	S2	W	X	H3	H4	Ø (mm) Mech. seal	DNA	DNM	PACKING DIMENSIONS			VOLUME (m³)	WEIGHT Kg
																							L/A	L/B	H		
NKM-G 65-125/130/0,75/4	100	65	-	232	286	160	180	246	125	95	280	212	-	M10	-	-	100	-	-	28	80	65	620	370	480	0,11	52
NKM-G 65-125/144/1,1/4	100	65	-	287,5	286	160	180	246	125	95	280	212	-	M10	-	-	100	-	-	28	80	65	620	370	480	0,11	39

# NKM-G 65-160 - 4 POLES - STANDARDISED MONOBLOC PUMPS

Pumped liquid temperature range: from -10 °C to +140 °C - Maximum ambient temperature: +40°C

≅ 1450 1/min



For MEI index refer to the hydraulic efficiency section.

The performance curves are based on kinematic viscosity values = 1 mm²/s and density equal to 1000 kg/m³. Curve tolerance according to ISO 9906.

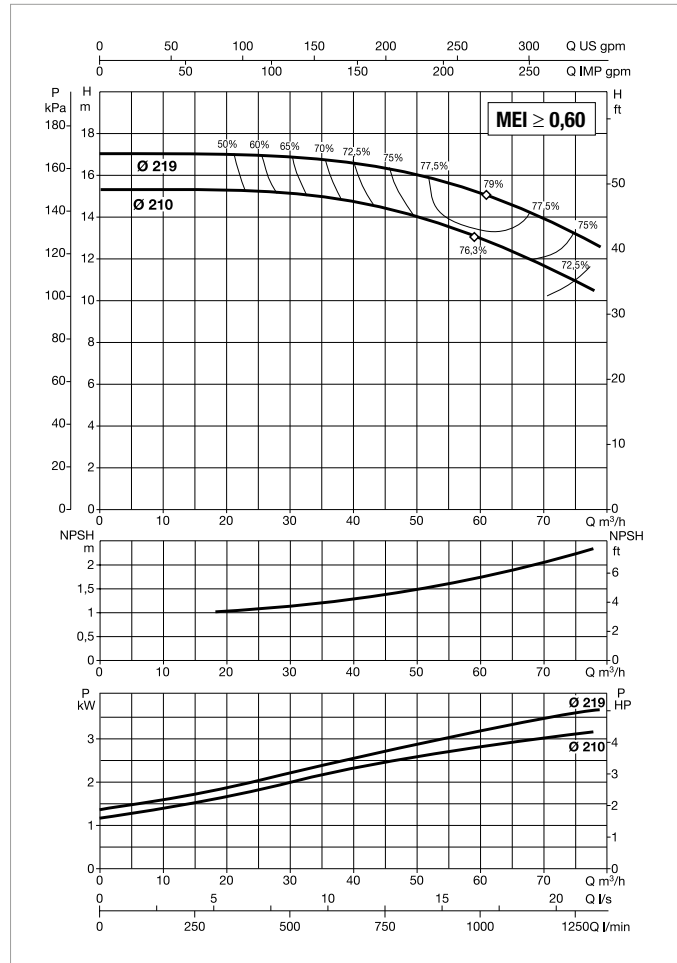
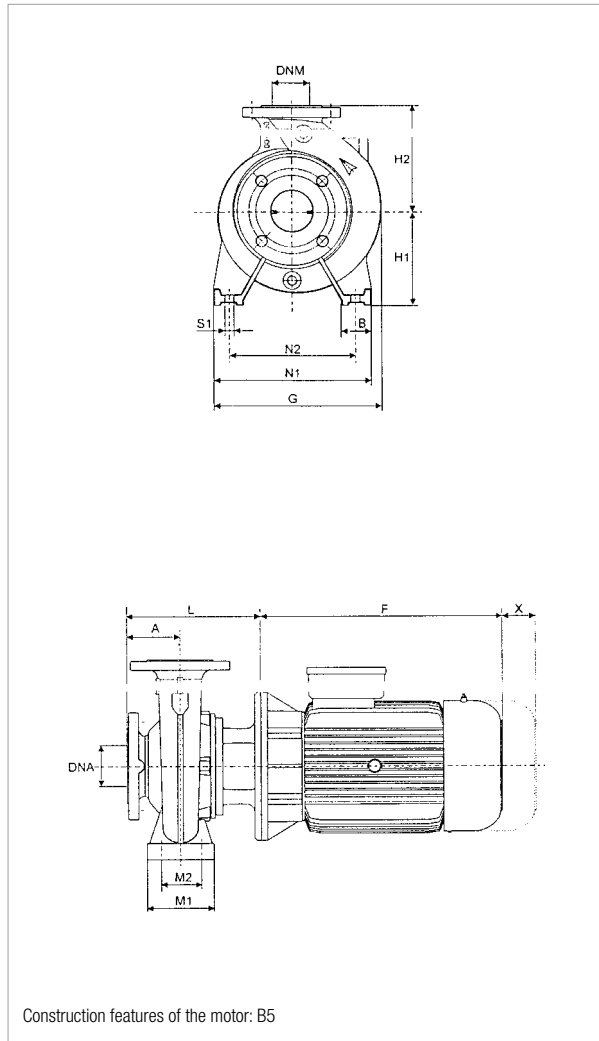
MODEL	MOTOR SIZE	POWER INPUT 50 Hz	ELECTRICAL DATA				MOTOR TYPE
			P2 NOMINAL		In A		
			kW	HP	230 V	400 V	
NKM-G 65-160/153/1,1/4	MEC 90 S	3 x 230 - 400 V ~	1,1	1,5	4,3	2,5	IE3
NKM-G 65-160/165/1,5/4	MEC 90 L	3 x 230 - 400 V ~	1,5	2	6,2	3,6	IE3
NKM-G 65-160/177/2,2/4	MEC 100 L	3 x 230 - 400 V ~	2,2	3	10,2	5,9	IE3

MODEL	A	B	E	F	G	H1	H2	L	M1	M2	N1	N2	N3	S1	S2	W	X	H3	H4	Ø (mm) Mech. seal	DNa	DNM	PACKING DIMENSIONS			VOLUME (m³)	WEIGHT Kg
																							L/A	L/B	H		
NKM-G 65-160/153/1,1/4	100	65	-	287,5	302	160	200	246	125	95	280	212	-	M10	-	-	100	-	-	28	80	65	670	420	540	0,152	42
NKM-G 65-160/165/1,5/4	100	65	-	287,5	302	160	200	246	125	95	280	212	-	M10	-	-	100	-	-	28	80	65	670	420	540	0,152	40
NKM-G 65-160/177/2,2/4	100	65	-	319	302	160	200	274	125	95	280	212	-	M10	-	-	100	-	-	28	80	65	670	420	540	0,152	52

# NKM-G 65-200 - 4 POLES - STANDARDISED MONOBLOC PUMPS

Pumped liquid temperature range: from -10 °C to +140 °C - Maximum ambient temperature: +40°C

≅ 1450 1/min



For MEI index refer to the hydraulic efficiency section.

The performance curves are based on kinematic viscosity values = 1 mm²/s and density equal to 1000 kg/m³. Curve tolerance according to ISO 9906.

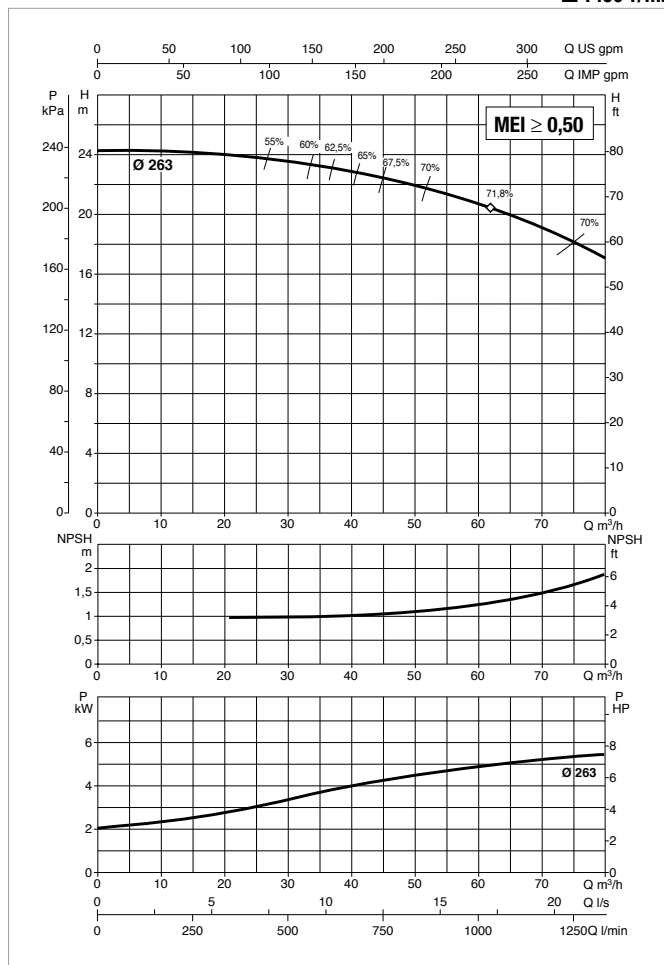
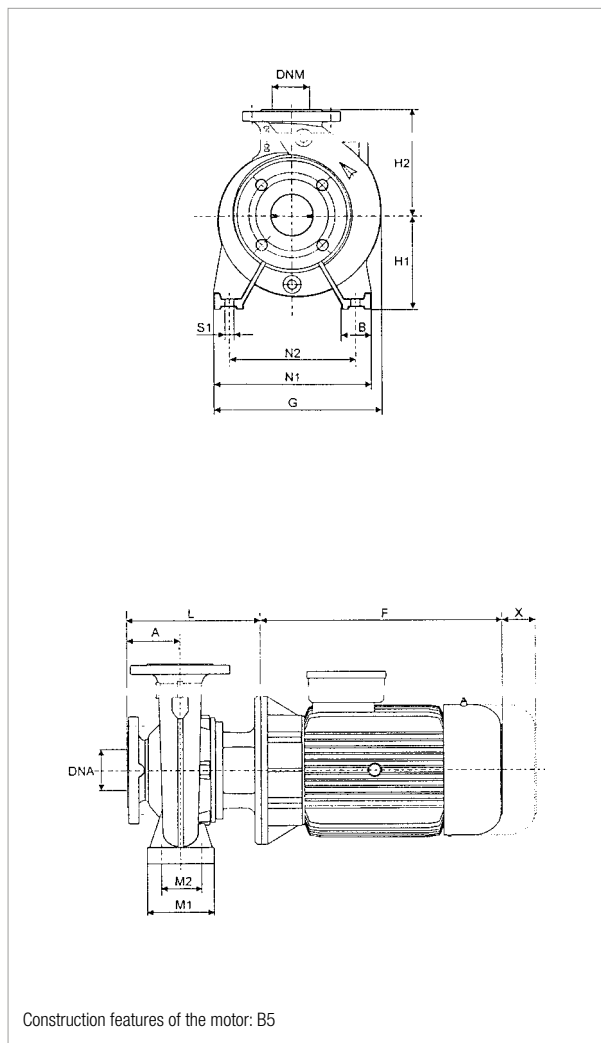
MODEL	ELECTRICAL DATA						
	MOTOR SIZE	POWER INPUT 50 Hz	P2 NOMINAL		In A		MOTOR TYPE
			kW	HP	230 V	400 V	
NKM-G 65-200/210/3/4	MEC 100 L	3 x 400 V ~	3	4	-	6,8	IE3
NKM-G 65-200/219/4/4	MEC 112 M	3 x 400 V ~	4	5,5	-	8,2	IE3

MODEL	A	B	E	F	G	H1	H2	L	M1	M2	N1	N2	N3	S1	S2	W	X	H3	H4	Ø (mm) Mech. seal	DNA	DNM	PACKING DIMENSIONS			VOLUME (m³)	WEIGHT Kg
																							L/A	L/B	H		
NKM-G 65-200/210/3/4	100	65	-	321	333	180	225	274	125	95	320	250	-	M10	-	-	140	-	-	28	80	65	670	420	540	0,152	56
NKM-G 65-200/219/4/4	100	65	-	328	333	180	225	274	125	95	320	250	-	M10	-	-	140	-	-	28	80	65	670	420	540	0,152	58

# NKM-G 65-250 - 4 POLES - STANDARDISED MONOBLOC PUMPS

Pumped liquid temperature range: from -10 °C to +140 °C - Maximum ambient temperature: +40°C

≅ 1450 1/min



For MEI index refer to the hydraulic efficiency section.

The performance curves are based on kinematic viscosity values = 1 mm²/s and density equal to 1000 kg/m³. Curve tolerance according to ISO 9906.

MODEL	ELECTRICAL DATA						
	MOTOR SIZE	POWER INPUT 50 Hz	P2 NOMINAL		In A		MOTOR TYPE
			kW	HP	230 V	400 V	
NKM-G 65-250/263/5,5/4	MEC 132 S	3 x 400 V ~	5,5	7,5	-	10,6	IE3

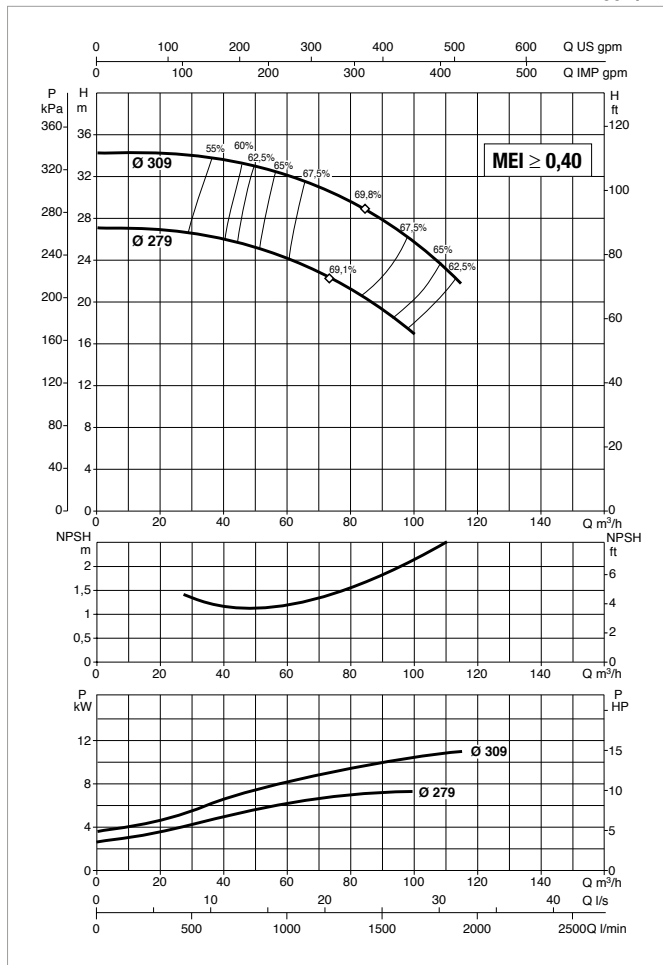
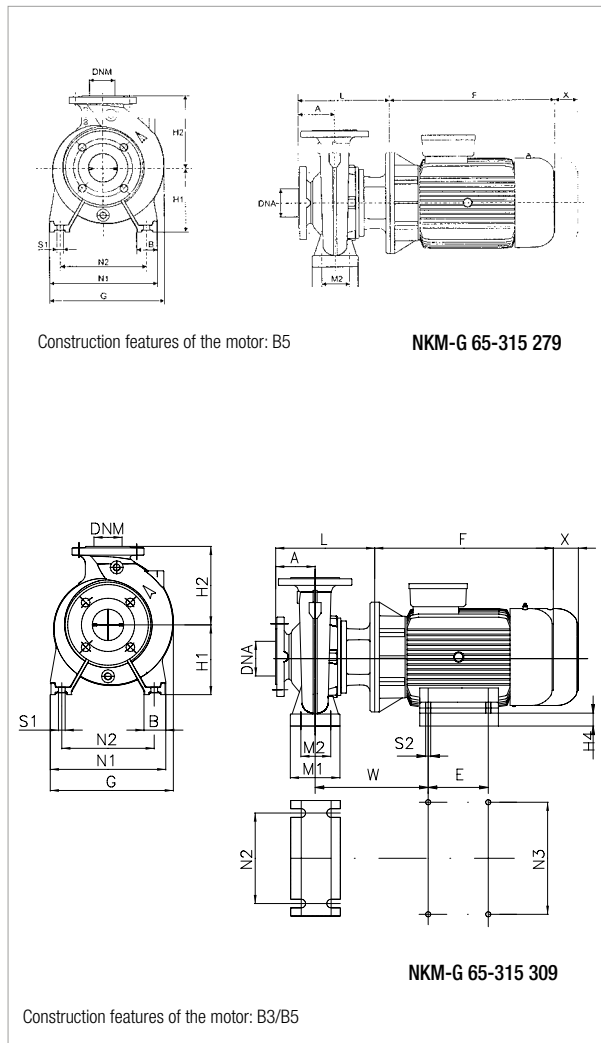
MODEL	A	B	E	F	G	H1	H2	L	M1	M2	N1	N2	N3	S1	S2	W	X	H3	H4	Ø (mm) Mech. seal	DNA	DNM	PACKING DIMENSIONS			VOLUME (m³)	WEIGHT Kg
	L/A	L/B	H																								
NKM-G 65-250/263/5,5/4	100	80	-	365	370	200	250	343	160	120	360	280	-	M14	-	-	140	-	-	38	80	65	1030	530	640	0,349	142



# NKM-G 65-315 - 4 POLES - STANDARDISED MONOBLOC PUMPS

Pumped liquid temperature range: from -10 °C to +140 °C - Maximum ambient temperature: +40°C

≈ 1450 1/min



For MEI index refer to the hydraulic efficiency section.  
The performance curves are based on kinematic viscosity values = 1 mm<sup>2</sup>/s and density equal to 1000 kg/m<sup>3</sup>. Curve tolerance according to ISO 9906.

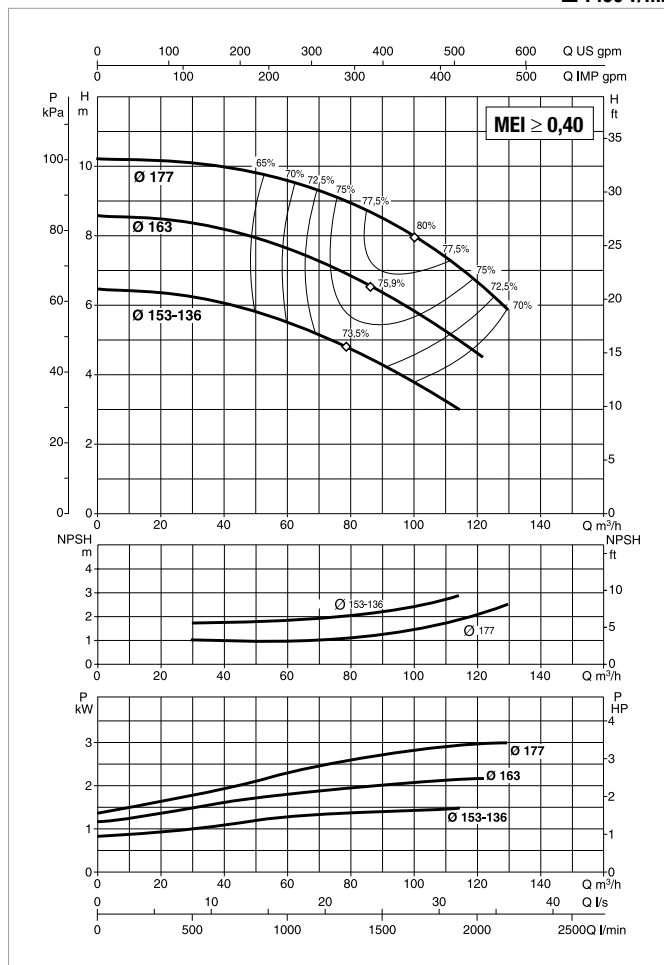
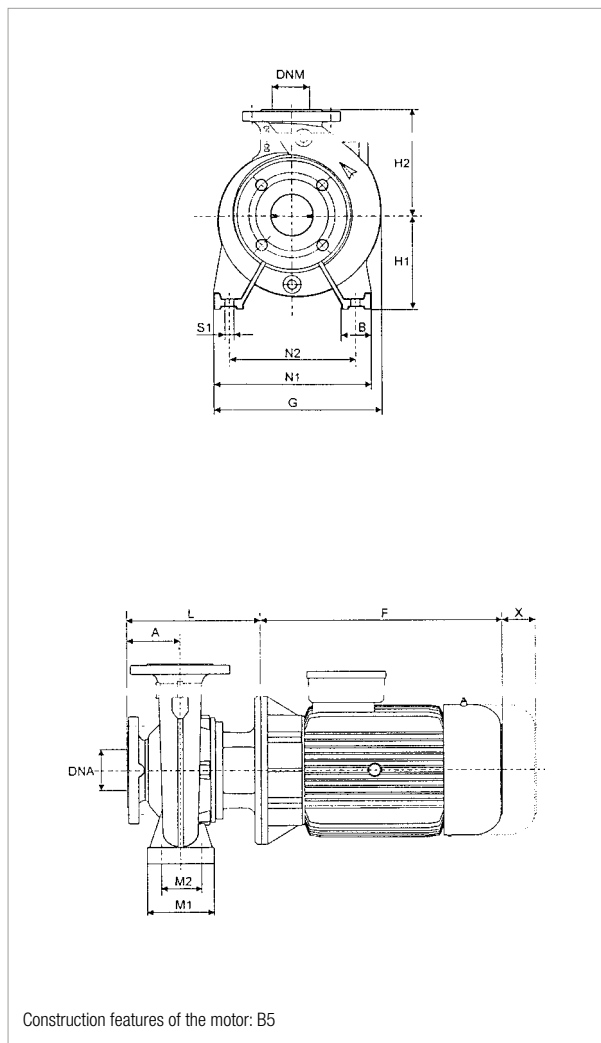
MODEL	ELECTRICAL DATA						MOTOR TYPE
	MOTOR SIZE	POWER INPUT 50 Hz	P2 NOMINAL		In A		
			kW	HP	230 V	400 V	
<b>NKM-G 65-315/279/7,5/4</b>	MEC 132 M	3 x 400 V ~	7,5	10	-	14,4	IE3
<b>NKM-G 65-315/309/11/4</b>	MEC 160 M	3 x 400 V ~	11	15	-	22,4	IE3

MODEL	A	B	E	F	G	H1	H2	L	M1	M2	N1	N2	N3	S1	S2	W	X	H3	H4	Ø (mm) Mech. seal	DNA	DNM	PACKING DIMENSIONS			VOLUME (m <sup>3</sup> )	WEIGHT Kg
																							L/A	L/B	H		
<b>NKM-G 65-315/279/7,5/4</b>	125	80	-	350	429	225	280	368	160	120	400	315	-	M14	-	-	140	-	-	38	80	65	1030	530	640	0,349	163
<b>NKM-G 65-315/309/11/4</b>	125	80	210	498	429	225	280	398	160	120	400	315	254	M14	M12	402	140	-	65	38	80	65	1030	530	640	0,349	231

# NKM-G 80-160 - 4 POLES - STANDARDISED MONOBLOC PUMPS

Pumped liquid temperature range: from -10 °C to +140 °C - Maximum ambient temperature: +40°C

≅ 1450 1/min



For MEI index refer to the hydraulic efficiency section.

The performance curves are based on kinematic viscosity values = 1 mm²/s and density equal to 1000 kg/m³. Curve tolerance according to ISO 9906.

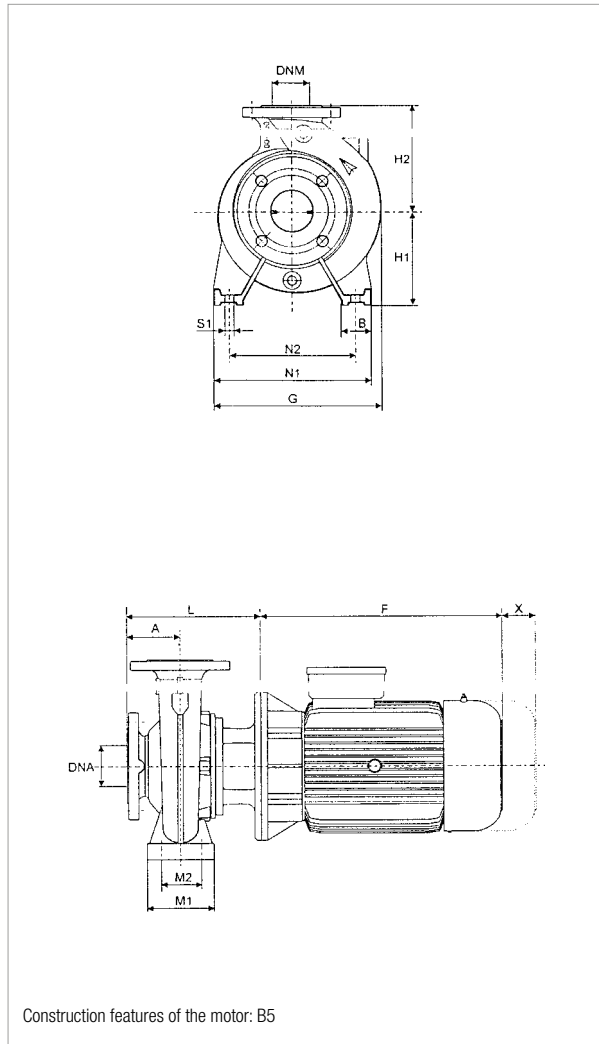
MODEL	ELECTRICAL DATA						
	MOTOR SIZE	POWER INPUT 50 Hz	P2 NOMINAL		In A		MOTOR TYPE
			kW	HP	230 V	400 V	
NKM-G 80-160/153-136/1,5/4	MEC 90 L	3 x 230 - 400 V ~	1,5	2	6,2	3,6	IE3
NKM-G 80-160/163/2,2/4	MEC 100 L	3 x 230 - 400 V ~	2,2	3	10,2	5,9	IE3
NKM-G 80-160/177/3/4	MEC 100 L	3 x 400 V ~	3	4	-	6,8	IE3

MODEL	A	B	E	F	G	H1	H2	L	M1	M2	N1	N2	N3	S1	S2	W	X	H3	H4	Ø (mm) Mech. seal	DNA	DNM	PACKING DIMENSIONS			VOLUME (m³)	WEIGHT Kg
																							L/A	L/B	H		
NKM-G 80-160/153-136/1,5/4	125	65	-	287,5	342	180	225	299	125	95	320	250	-	M10	-	-	140	-	-	28	100	80	670	420	540	0,152	46
NKM-G 80-160/163/2,2/4	125	65	-	319	342	180	225	299	125	95	320	250	-	M10	-	-	140	-	-	28	100	80	670	420	540	0,152	61
NKM-G 80-160/177/3/4	125	65	-	321	342	180	225	299	125	95	320	250	-	M10	-	-	140	-	-	28	100	80	670	420	540	0,152	58

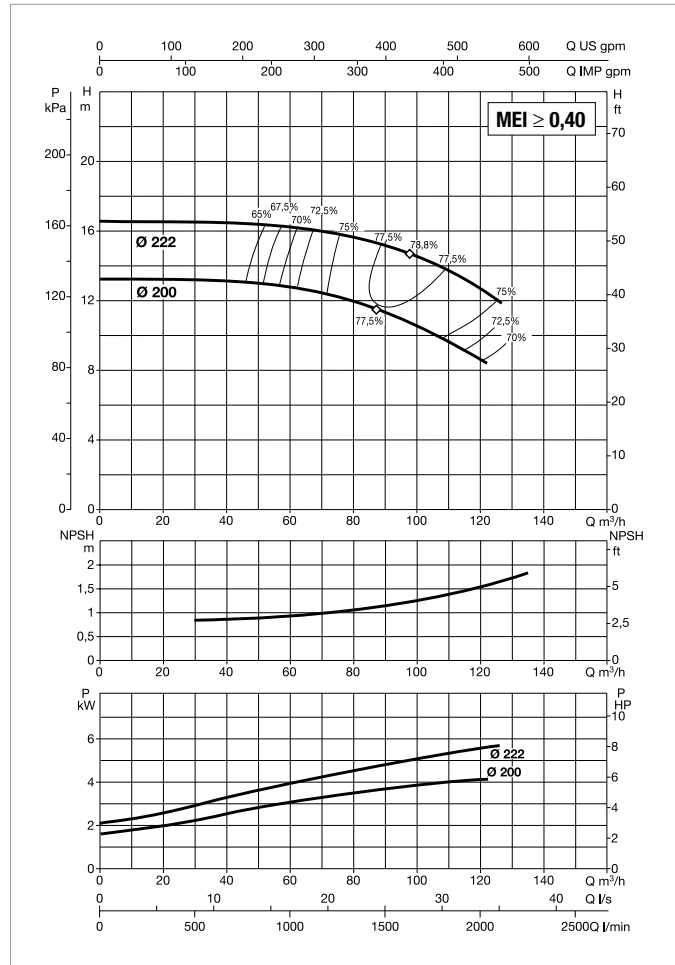
# NKM-G 80-200 - 4 POLES - STANDARDISED MONOBLOC PUMPS

Pumped liquid temperature range: from -10 °C to +140 °C - Maximum ambient temperature: +40°C

≅ 1450 1/min



Construction features of the motor: B5



For MEI index refer to the hydraulic efficiency section.

The performance curves are based on kinematic viscosity values = 1 mm²/s and density equal to 1000 kg/m³. Curve tolerance according to ISO 9906.

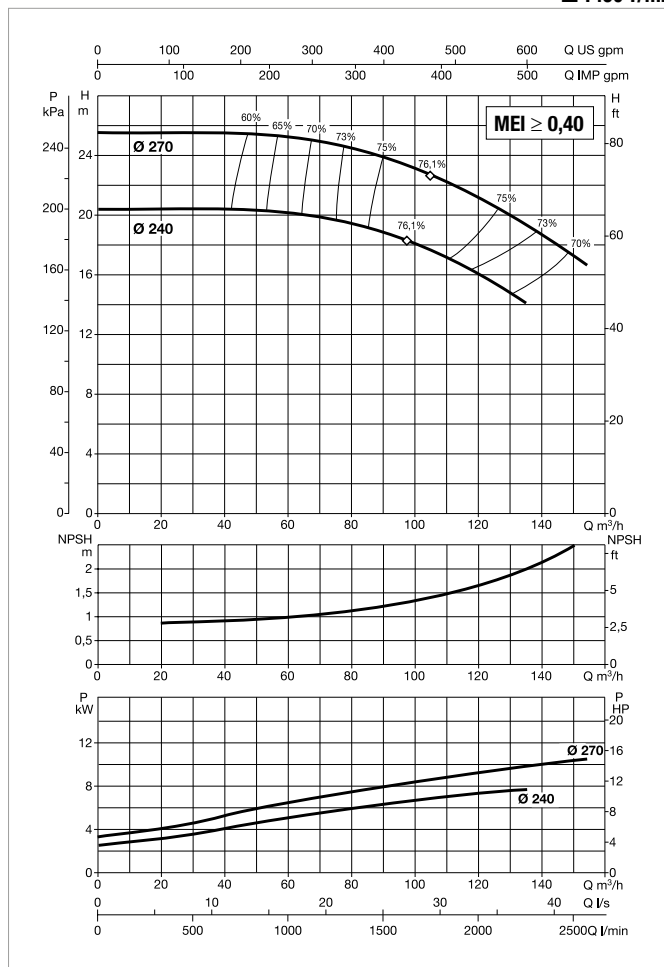
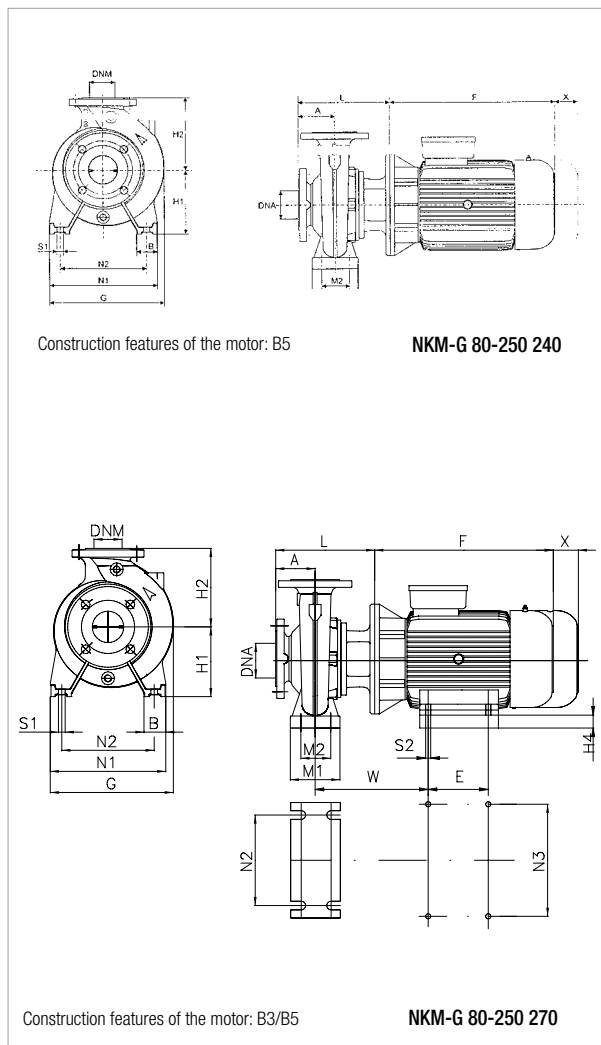
MODEL	MOTOR SIZE	POWER INPUT 50 Hz	ELECTRICAL DATA				MOTOR TYPE
			P2 NOMINAL		In A		
			kW	HP	230 V	400 V	
NKM-G 80-200/200/4/4	MEC 112 M	3 x 400 V ~	4	5,5	-	8,2	IE3
NKM-G 80-200/222/5,5/4	MEC 132 S	3 x 400 V ~	5,5	7,5	-	10,6	IE3

MODEL	A	B	E	F	G	H1	H2	L	M1	M2	N1	N2	N3	S1	S2	W	X	H3	H4	Ø (mm) Mech. seal	DNA	DNM	PACKING DIMENSIONS			VOLUME (m³)	WEIGHT Kg
																							L/A	L/B	H		
NKM-G 80-200/200/4/4	125	65	-	328	365	180	250	368	125	95	345	280	-	M10	-	-	140	-	-	38	100	80	1030	530	640	0,349	84
NKM-G 80-200/222/5,5/4	125	65	-	365	365	180	250	368	125	95	345	280	-	M10	-	-	140	-	-	38	100	80	1030	530	640	0,349	130

# NKM-G 80-250 - 4 POLES - STANDARDISED MONOBLOC PUMPS

Pumped liquid temperature range: from -10 °C to +140 °C - Maximum ambient temperature: +40°C

≅ 1450 1/min



For MEI index refer to the hydraulic efficiency section.  
The performance curves are based on kinematic viscosity values = 1 mm<sup>2</sup>/s and density equal to 1000 kg/m<sup>3</sup>. Curve tolerance according to ISO 9906.

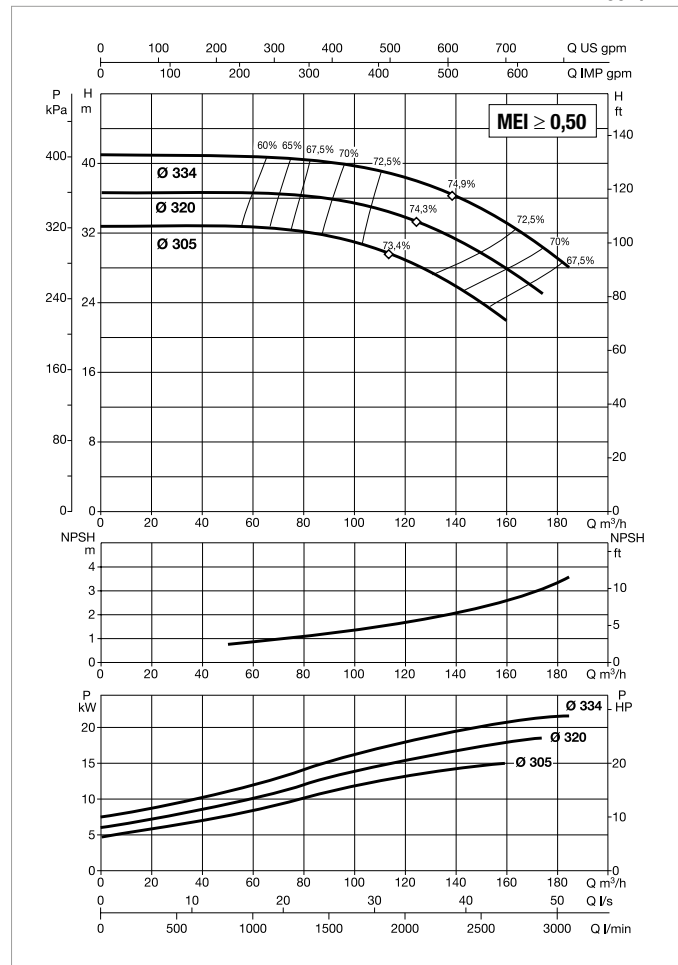
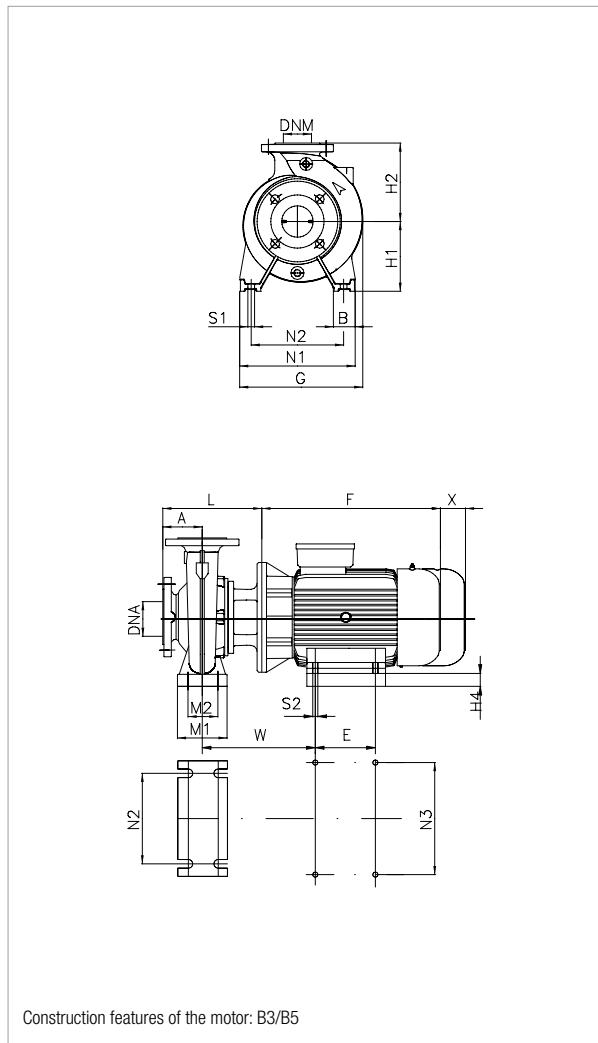
MODEL	ELECTRICAL DATA						
	MOTOR SIZE	POWER INPUT 50 Hz	P2 NOMINAL		In A		MOTOR TYPE
			kW	HP	230 V	400 V	
<b>NKM-G 80-250/240/7,5/4</b>	MEC 132 M	3 x 400 V ~	7,5	10	-	14,4	IE3
<b>NKM-G 80-250/270/11/4</b>	MEC 160 M	3 x 400 V ~	11	15	-	22,4	IE3

MODEL	A	B	E	F	G	H1	H2	L	M1	M2	N1	N2	N3	S1	S2	W	X	H3	H4	Ø (mm) Mech. seal	DNA	DNM	PACKING DIMENSIONS			VOLUME (m <sup>3</sup> )	WEIGHT Kg
																							L/A	L/B	H		
<b>NKM-G 80-250/240/7,5/4</b>	125	80	-	350	410	200	280	368	160	120	400	315	-	M14	-	-	140	-	-	38	100	80	1030	530	640	0,349	153
<b>NKM-G 80-250/270/11/4</b>	125	80	210	498	410	200	280	398	160	120	400	315	254	M14	M12	381	140	-	40	38	100	80	1030	530	640	0,349	205

# NKM-G 80-315 - 4 POLES - STANDARDISED MONOBLOC PUMPS

Pumped liquid temperature range: from -10 °C to +140 °C - Maximum ambient temperature: +40°C

≈ 1450 1/min



For MEI index refer to the hydraulic efficiency section.

The performance curves are based on kinematic viscosity values = 1 mm²/s and density equal to 1000 kg/m³. Curve tolerance according to ISO 9906.

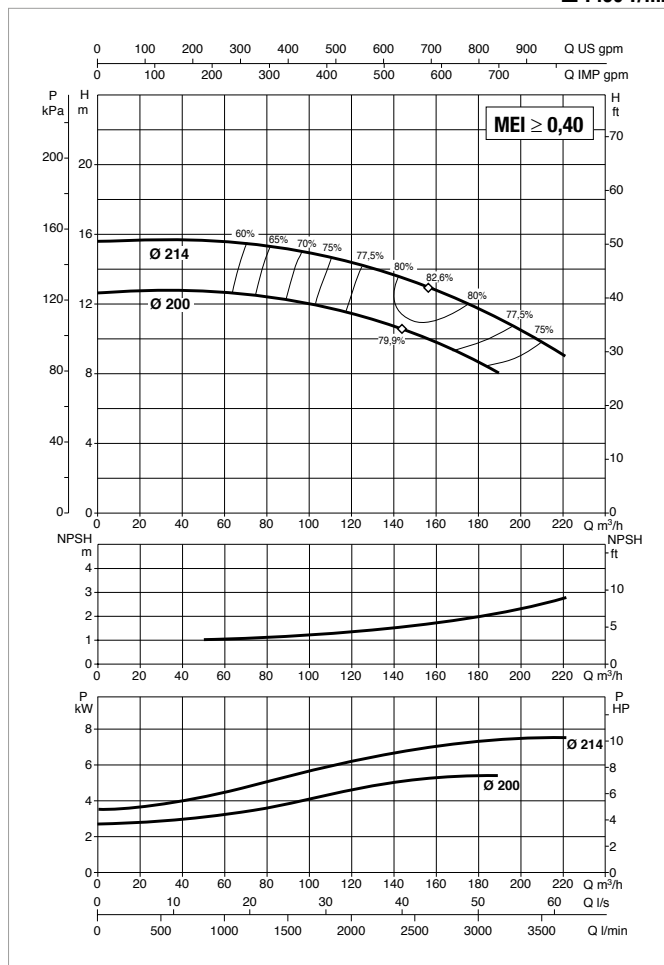
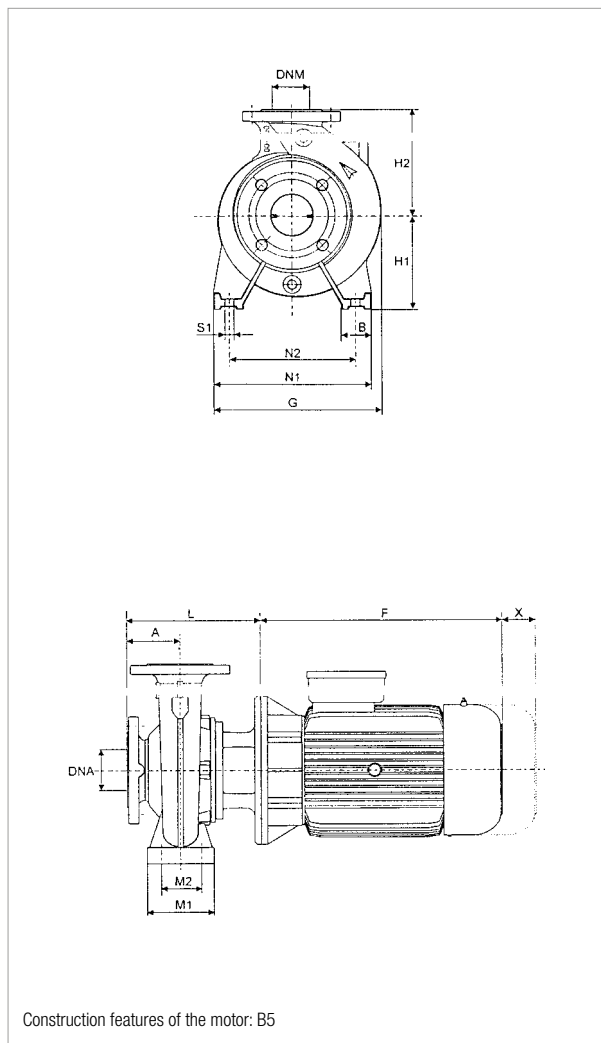
MODEL	MOTOR SIZE	POWER INPUT 50 Hz	ELECTRICAL DATA				MOTOR TYPE
			P2 NOMINAL		In A		
			kW	HP	230 V	400 V	
NKM-G 80-315/305/15/4	MEC 160 L	3 x 400 V ~	15	20	-	30,5	IE3
NKM-G 80-315/320/18,5/4	MEC 180 M	3 x 400 V ~	18,5	25	-	34,3	IE3
NKM-G 80-315/334/22/4	MEC 180 L	3 x 400 V ~	22	30	-	40,2	IE3

MODEL	A	B	E	F	G	H1	H2	L	M1	M2	N1	N2	N3	S1	S2	W	X	H3	H4	Ø (mm) Mech. seal	DNA	DNM	PACKING DIMENSIONS			VOLUME (m³)	WEIGHT Kg
																							L/A	L/B	H		
NKM-G 80-315/305/15/4	125	80	254	542	460	250	315	398	160	120	400	315	254	M14	M12	402	140	-	90	38	100	80	1130	580	740	0,485	263
NKM-G 80-315/320/18,5/4	125	80	241	577	460	250	315	398	160	120	400	315	279	M14	M12	429	140	-	70	38	100	80	1130	580	740	0,485	275
NKM-G 80-315/334/22/4	125	80	279	615	460	250	315	398	160	120	400	315	279	M14	M12	415	140	-	70	38	100	80	1130	580	740	0,485	298

# NKM-G 100-200 - 4 POLES - STANDARDISED MONOBLOC PUMPS

Pumped liquid temperature range: from -10 °C to +140 °C - Maximum ambient temperature: +40°C

≅ 1450 1/min



For MEI index refer to the hydraulic efficiency section.

The performance curves are based on kinematic viscosity values = 1 mm<sup>2</sup>/s and density equal to 1000 kg/m<sup>3</sup>. Curve tolerance according to ISO 9906.

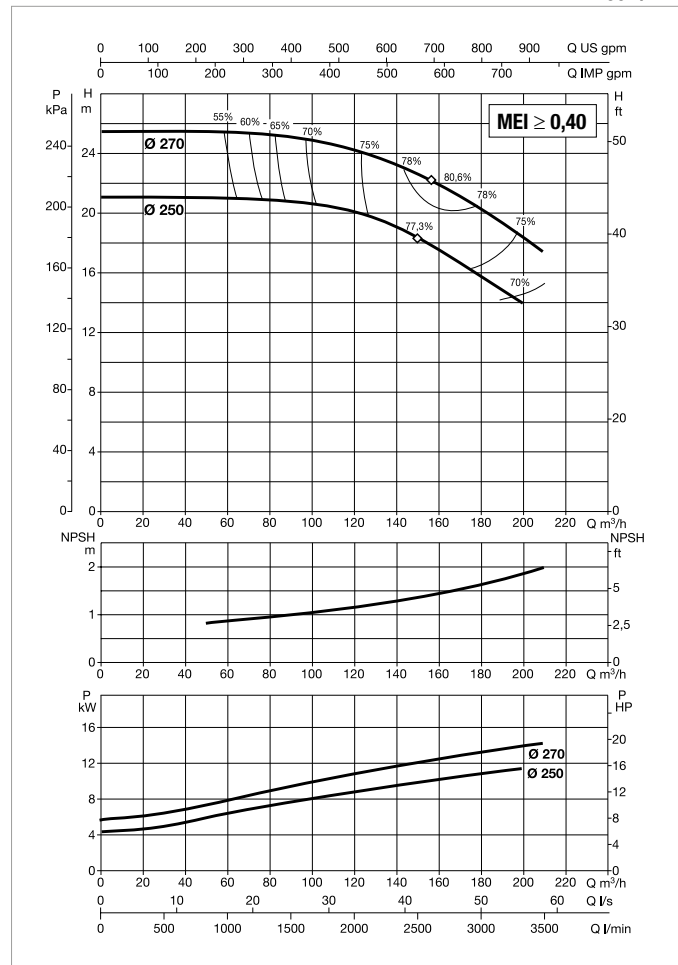
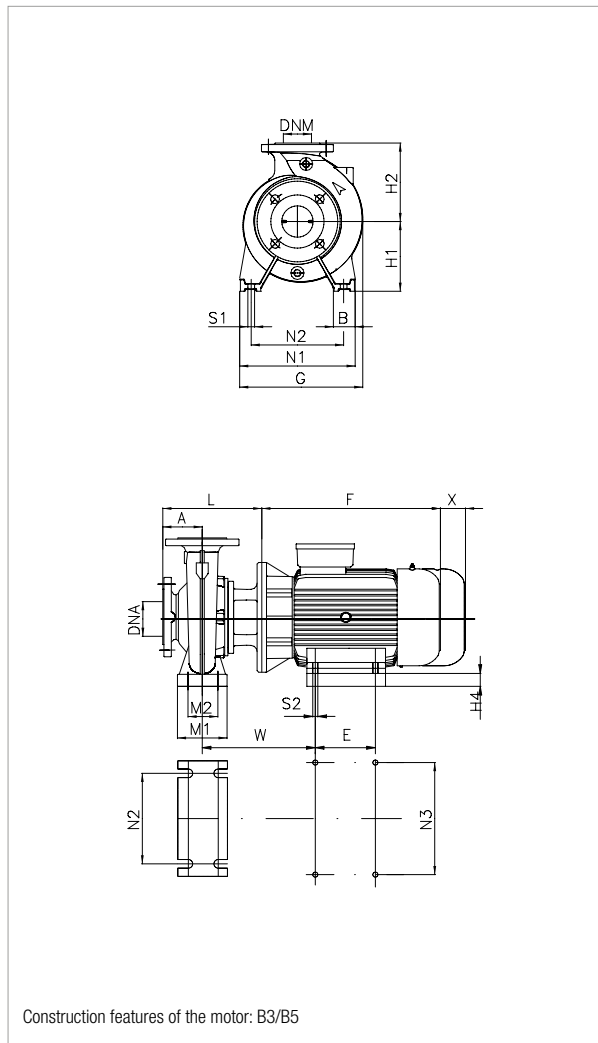
MODEL	ELECTRICAL DATA						
	MOTOR SIZE	POWER INPUT 50 Hz	P2 NOMINAL		In A		MOTOR TYPE
			kW	HP	230 V	400 V	
NKM-G 100-200/200/5,5/4	MEC 132 S	3 x 400 V ~	5,5	7,5	-	10,6	IE3
NKM-G 100-200/214/7,5/4	MEC 132 M	3 x 400 V ~	7,5	10	-	14,4	IE3

MODEL	A	B	E	F	G	H1	H2	L	M1	M2	N1	N2	N3	S1	S2	W	X	H3	H4	Ø (mm) Mech. seal	DNA	DNM	PACKING DIMENSIONS			VOLUME (m <sup>3</sup> )	WEIGHT Kg
																							L/A	L/B	H		
NKM-G 100-200/200/5,5/4	125	80	-	365	392	200	280	368	160	120	360	280	-	M14	-	-	140	-	-	38	125	100	1030	530	640	0,349	142
NKM-G 100-200/214/7,5/4	125	80	-	350	392	200	280	368	160	120	360	280	-	M14	-	-	140	-	-	38	125	100	1030	530	640	0,349	149

# NKM-G 100-250 - 4 POLES - STANDARDISED MONOBLOC PUMPS

Pumped liquid temperature range: from -10 °C to +140 °C - Maximum ambient temperature: +40°C

≈ 1450 1/min



For MEI index refer to the hydraulic efficiency section.

The performance curves are based on kinematic viscosity values = 1 mm²/s and density equal to 1000 kg/m³. Curve tolerance according to ISO 9906.

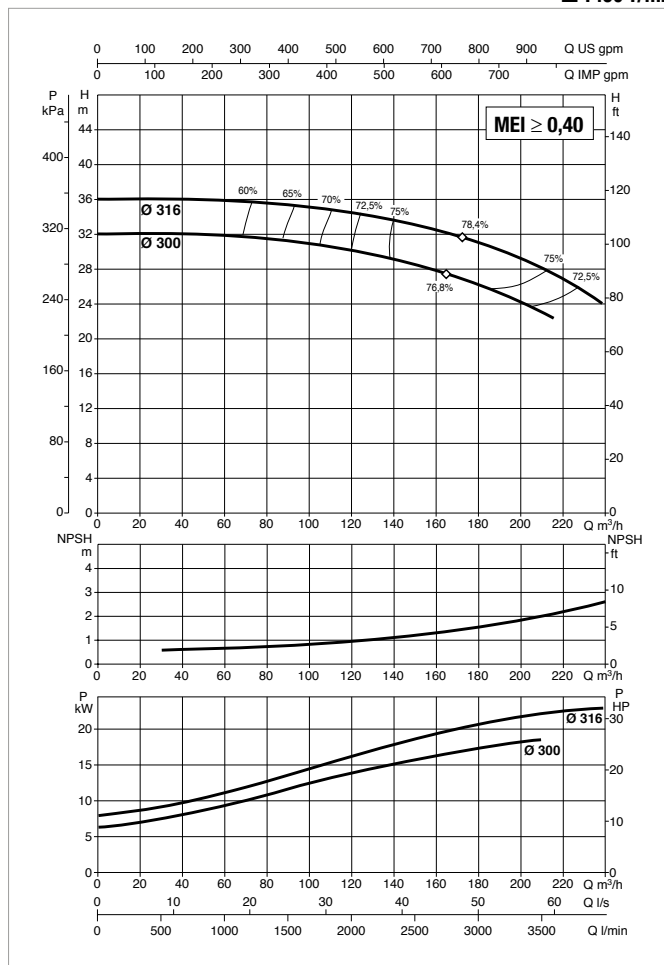
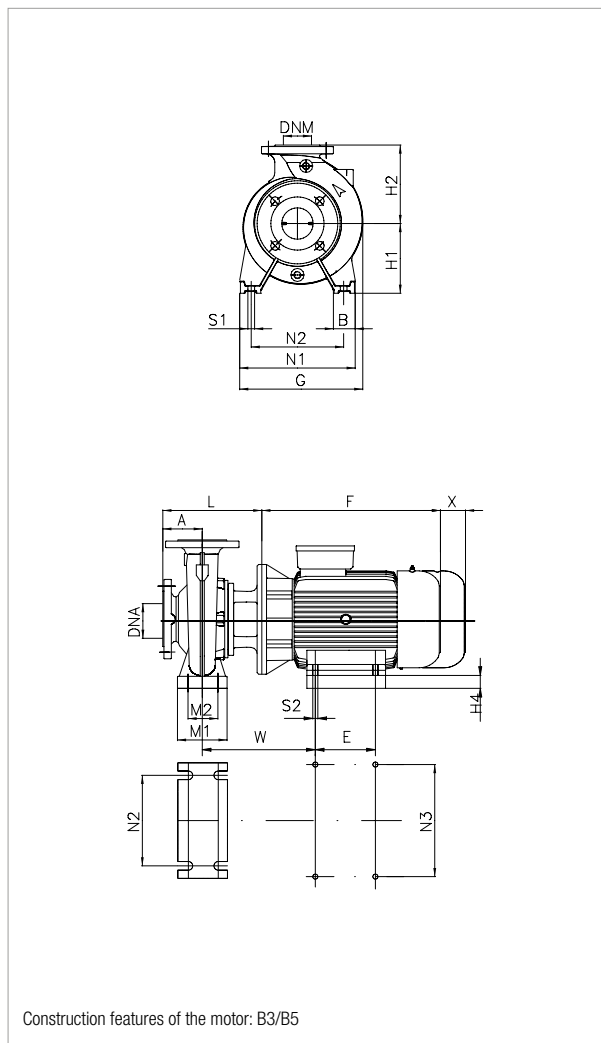
MODEL	ELECTRICAL DATA						
	MOTOR SIZE	POWER INPUT 50 Hz	P2 NOMINAL		In A		MOTOR TYPE
			kW	HP	230 V	400 V	
NKM-G 100-250/250/11/4	MEC 160 M	3 x 400 V ~	11	15	-	22,4	IE3
NKM-G 100-250/270/15/4	MEC 160 L	3 x 400 V ~	15	20	-	30,5	IE3

MODEL	A	B	E	F	G	H1	H2	L	M1	M2	N1	N2	N3	S1	S2	W	X	H3	H4	Ø (mm) Mech. seal	DNA	DNM	PACKING DIMENSIONS			VOLUME (m³)	WEIGHT Kg
																							L/A	L/B	H		
NKM-G 100-250/250/11/4	140	80	210	498	424	225	280	413	160	120	400	315	254	M14	M12	381	140	-	65	38	125	100	1030	530	640	0,349	213
NKM-G 100-250/270/15/4	140	80	254	542	424	225	280	413	160	120	400	315	254	M14	M12	381	140	-	65	38	125	100	1030	530	640	0,485	237

# NKM-G 100-315 - 4 POLES - STANDARDISED MONOBLOC PUMPS

Pumped liquid temperature range: from -10 °C to +140 °C - Maximum ambient temperature: +40°C

≅ 1450 1/min



For MEI index refer to the hydraulic efficiency section.

The performance curves are based on kinematic viscosity values = 1 mm<sup>2</sup>/s and density equal to 1000 kg/m<sup>3</sup>. Curve tolerance according to ISO 9906.

MODEL	ELECTRICAL DATA						
	MOTOR SIZE	POWER INPUT 50 Hz	P2 NOMINAL		In A		MOTOR TYPE
			kW	HP	230 V	400 V	
NKM-G 100-315/300/18,5/4	MEC 180 M	3 x 400 V ~	18,5	25	-	34,3	IE3
NKM-G 100-315/316/22/4	MEC 180 L	3 x 400 V ~	22	30	-	40,2	IE3

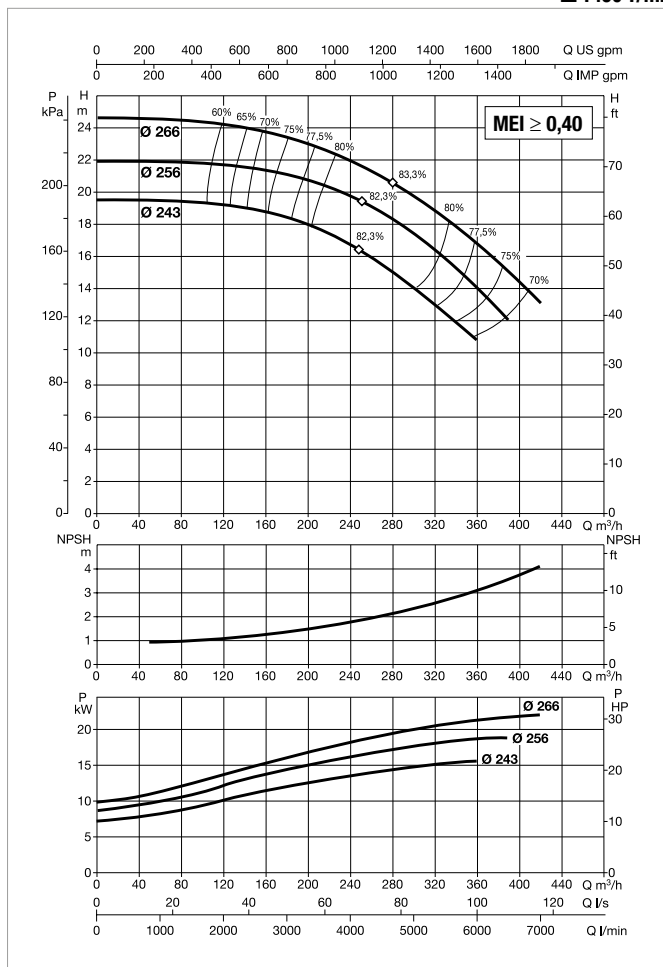
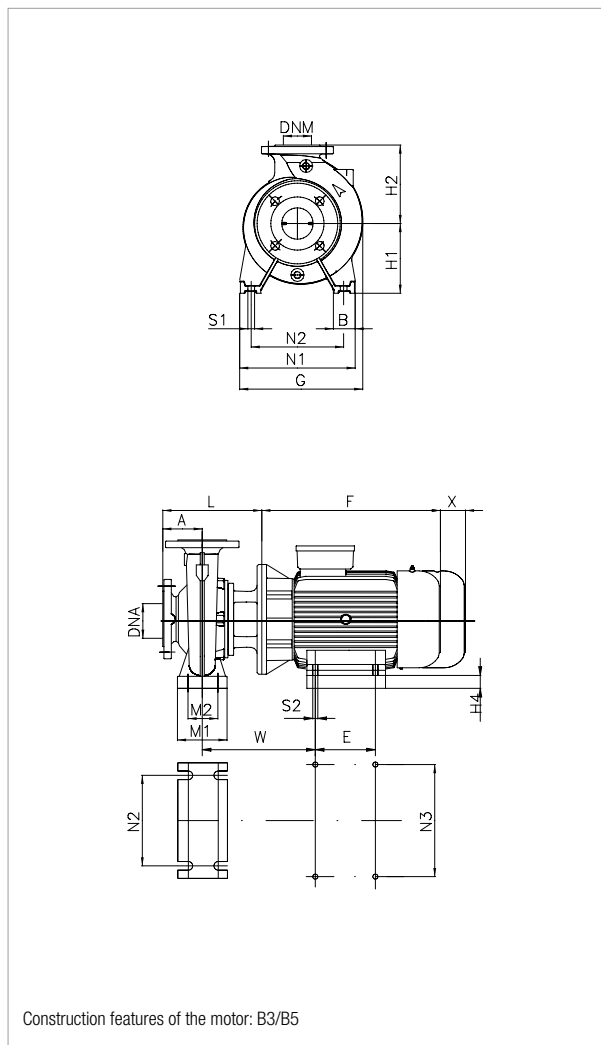
MODEL	A	B	E	F	G	H1	H2	L	M1	M2	N1	N2	N3	S1	S2	W	X	H3	H4	Ø (mm) Mech. seal	DNA	DNM	PACKING DIMENSIONS			VOLUME (m <sup>3</sup> )	WEIGHT Kg
																							L/A	L/B	H		
NKM-G 100-315/300/18,5/4	140	80	241	577	478	250	315	413	160	120	400	315	279	M14	M12	529	140	-	70	38	125	100	1030	530	640	0,485	257
NKM-G 100-315/316/22/4	140	80	279	615	478	250	315	413	160	120	400	315	279	M14	M12	415	140	-	70	38	125	100	1030	530	640	0,485	272



# NKM-G 125-250 - 4 POLES - STANDARDISED MONOBLOC PUMPS

Pumped liquid temperature range: from -10 °C to +140 °C - Maximum ambient temperature: +40°C

≈ 1450 1/min



For MEI index refer to the hydraulic efficiency section.

The performance curves are based on kinematic viscosity values = 1 mm²/s and density equal to 1000 kg/m³. Curve tolerance according to ISO 9906.

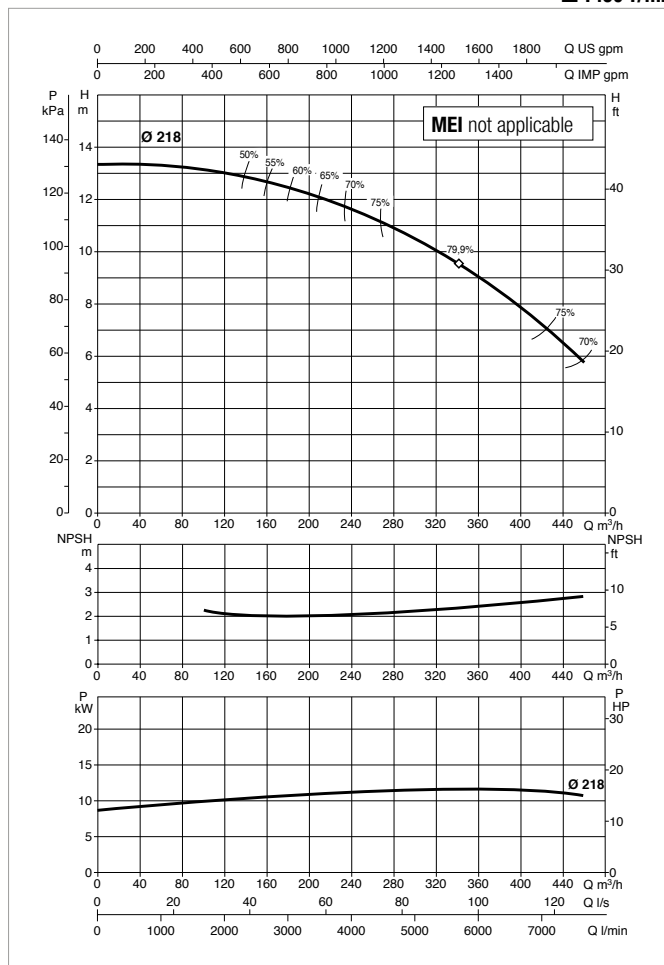
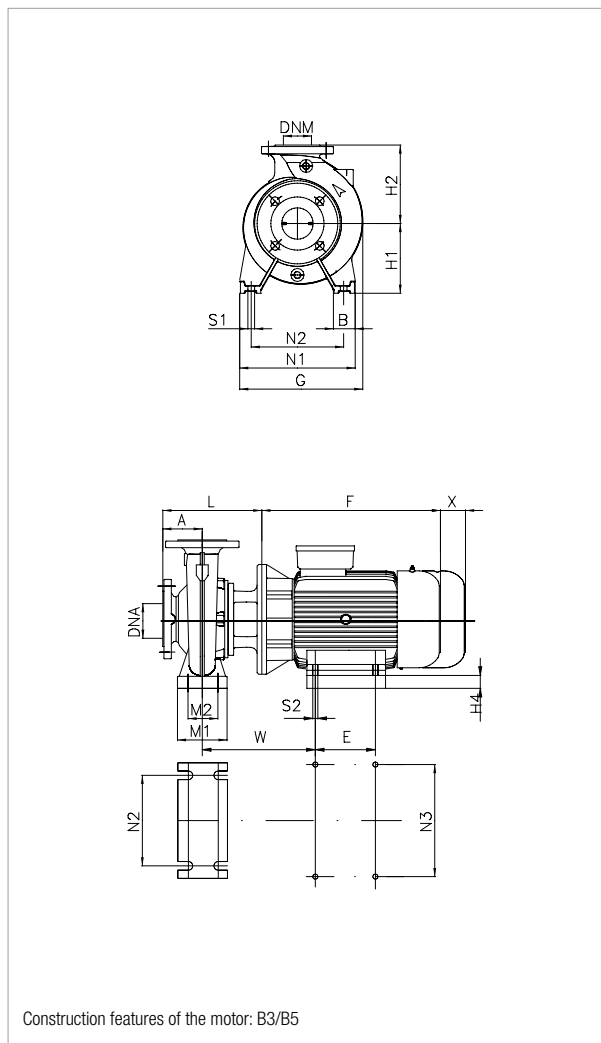
MODEL	ELECTRICAL DATA						
	MOTOR SIZE	POWER INPUT 50 Hz	P2 NOMINAL		In A		MOTOR TYPE
			kW	HP	230 V	400 V	
NKM-G 125-250/243/15/4	MEC 160 L	3 x 400 V ~	15	20	-	30,5	IE3
NKM-G 125-250/256/18,5/4	MEC 180 M	3 x 400 V ~	18,5	25	-	34,3	IE3
NKM-G 125-250/266/22/4	MEC 180 L	3 x 400 V ~	22	30	-	40,2	IE3

MODEL	A	B	E	F	G	H1	H2	L	M1	M2	N1	N2	N3	S1	S2	W	X	H3	H4	Ø (mm) Mech. seal	DNA	DNM	PACKING DIMENSIONS			VOLUME (m³)	WEIGHT Kg
																							L/A	L/B	H		
NKM-G 125-250/243/15/4	140	80	254	542	472	250	355	413	160	120	400	315	254	M14	M12	381	140	-	90	38	150	125	1130	580	740	0,485	274
NKM-G 125-250/256/18,5/4	140	80	241	577	472	250	355	413	160	120	400	315	279	M14	M12	394	140	-	70	38	150	125	1130	580	740	0,485	290
NKM-G 125-250/266/22/4	140	80	279	615	472	250	355	413	160	120	400	315	279	M14	M12	394	140	-	70	38	150	125	1130	580	740	0,485	309

# NKM-G 150-200 - 4 POLES - STANDARDISED MONOBLOC PUMPS

Pumped liquid temperature range: from -10 °C to +140 °C - Maximum ambient temperature: +40°C

≅ 1450 1/min



For MEI index refer to the hydraulic efficiency section.

The performance curves are based on kinematic viscosity values = 1 mm²/s and density equal to 1000 kg/m³. Curve tolerance according to ISO 9906.

MODEL	ELECTRICAL DATA						
	MOTOR SIZE	POWER INPUT 50 Hz	P2 NOMINAL		In A		MOTOR TYPE
			kW	HP	230 V	400 V	
NKM-G 150-200/218/11/4	MEC 160 M	3 x 400 V ~	11	15	-	22,4	IE3

MODEL	A	B	E	F	G	H1	H2	L	M1	M2	N1	N2	N3	S1	S2	W	X	H3	H4	Ø (mm) Mech. seal	DNA	DNM	PACKING DIMENSIONS			VOLUME (m³)	WEIGHT Kg
	L/A	L/B	H																								
NKM-G 150-200/218/11/4	160	100	210	498	593	280	400	433	200	150	550	450	254	M20	-	381	140	-	120	38	200	150	1130	650	900	0,661	280

# NKM-G - 4 POLES

## STANDARDISED MONOBLOC PUMPS

### IE3 STANDARD MOTOR ELECTRIC DATA

=1450 1/min

MOTOR TYPE	P2 NOMINAL kW	SPEED rpm	YIELD %	POWER FACTOR COS φ	POWER INPUT 50 Hz	In A			Start-up current Ia/In	Start-up torque Ma/Mn	Maximum torque M/k/Mn	POLES
						230V	400V	690V				
MEC 71	0,25	1400	60,00	0,710	3x230/400	1,56	0,90		2,88	2,15	2,26	4
MEC 71	0,37	1340	67,00	0,780	3x230/400	1,70	0,98		4,75	2,84	2,64	4
MEC 80	0,55	1410	71,00	0,720	3x230/400	2,60	1,50		5,33	2,78	2,89	4
MEC 80Z	0,75	1435	82,50	0,740	3x230/400	3,12	1,80		5,50	2,70	2,80	4
MEC 90S	1,1	1440	84,10	0,750	3x230/400	4,33	2,50		7,10	4,30	4,30	4
MEC 90L	1,5	1430	85,30	0,720	3x230/400	6,24	3,60		6,60	4,30	4,40	4
MEC 100L	2,2	1455	86,70	0,630	3x230/400	10,22	5,90		5,90	3,70	3,90	4
MEC 100L	3	1440	87,70	0,730	3x400 Δ		6,80	3,93	8,10	4,10	4,10	4
MEC 112M	4	1450	88,60	0,800	3x400 Δ		8,20	4,73	8,50	2,70	3,50	4
MEC 132S	5,5	1450	89,60	0,840	3x400 Δ		10,60	6,12	8,70	3,70	4,30	4
MEC 132S	7,5	2930	90,10	0,840	3x400 Δ		14,40	8,31	10,40	4,50	4,60	4
MEC 160M	11	1465	91,40	0,770	3x400 Δ		22,40	12,93	10,10	2,50	3,10	4
MEC 160L	15	1465	92,10	0,780	3x400 Δ		30,50	17,61	8,90	3,20	2,80	4
MEC 180M	18,5	1470	92,60	0,840	3x400 Δ		34,30	19,80	7,50	2,20	2,30	4
MEC 180L	22	1470	93,00	0,850	3x400 Δ		40,20	23,21	7,70	2,20	2,30	4
MEC 200L	30	1475	93,60	0,860	3x400 Δ		53,70	31,00	7,80	2,20	2,30	4