

EVOPUS⁺ LITE

**RUGGED AND EASY TO HANDLE,
TAKING THE WORRY OUT OF OUR WORK.**
ENERGY EFFICIENT WET ROTOR CIRCULATOR PUMP



DAB
WATER • TECHNOLOGY

DABPUMPS.COM

EVOPUS⁺ LITE

TAKING THE WORRY OUT OF OUR WORK

Evoplus Lite is our **energy-efficient** circulator pump, ideally suited to **heating and air-conditioning** applications, designed to suit any systems demanding **efficiency** and **reliable performance**, as well as **versatility**.

Reliable and long-lasting, once installed, it requires no further attention, outside of routine maintenance. Key to its versatility is **the motor head, which can be turned** to three different positions to accommodate the requirements of even the tightest spaces.

With Evoplus Lite, rugged design and efficiency are paired with **low energy consumption**.



APPLICATION⁺ EXAMPLE

Evoplus Lite can be used both in residential and in commercial buildings.



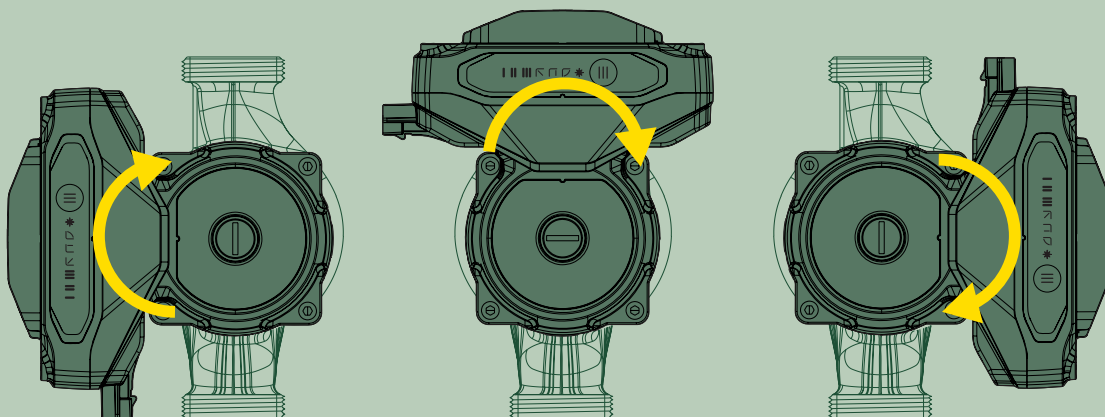
INSTALLATION. AND HEY PRESTO, YOU'RE DONE!

Evoplus Lite is installed in a few easy steps. With **just one connector** to plug in, this is a true **plug & play unit**: easy and practical even in systems where space is tight or in awkward replacement situations.

Single button set-up. The installation interface is intuitive, and the 7-LED display is easy to read.

In addition, **the motor head can be turned to 3 different positions** to accommodate different installations, even when dealing with tight or awkward spaces, thus making the engineers' job easier.

Evoplus Lite is **quick to install** and requires only minimum routine maintenance: once up and running, you forget it's even there.



FORWARD-THINKING DESIGN

Evoplus Lite has been designed from the outset to be **reliable**. The **increased separation between the motor and electronics** results in better thermic insulation, which grants safer use in air-condition, where systems are more prone to condensation.



Direct access to the motor shaft makes for easier maintenance — for example, when it needs releasing — and optimized operation, enabling quick and easy venting, for instance.



SLEEP MODE

With the **Sleep Mode** function, even if the circulator pump is not running, its **electronics are active**: every **25 hours**, Evoplus Lite comes back on, circulating the water long enough to stop limescale residue building up, which could otherwise clog the system.



CHOOSE YOUR PERFORMANCE

You can also choose Evoplus Lite's **performance level**. The circulator pump's electronics can vary motor rpm — and consequently absorbed power — to achieve up to **six different performance levels** (curves). That way, Evoplus Lite's **setting** will be matched extremely accurately to the **system's specific requirements**.

VERSION



	VOPLUS LITE	VOPLUS LITE SAN
OPERATING RANGE	2,0 - 12,5 m ³ /h with head up to 12 meters	
PUMP BODY CONNECTIONS AVAILABLE	G 1" ½ - G 2" - Flanged DN32 - Flanged DN40	G 1" ½ - Flanged DN32 - Flanged DN40
PUMPED LIQUID TEMPERATURE RANGE	from -20 °C to +110 °C	
WORKING PRESSURE	16 bar (1600 kPa)	
PROTECTION CLASS	IP44	
STANDARD POWER INPUT	single-phase 1x220-240 V ~ 50/60 Hz	



DAB PUMPS LTD.
Unit 6 Gilbert Court
Newcomen Way, Severalls Park
C04 9WN
Colchester
ordersuk@dwtgroup.com
Tel. +44 0333 777 5010



DAB PUMPS IBERICA S.L.
Calle Verano 18-20-22
28850 - Torrejón de Ardoz - Madrid
Spain
Info.spain@dwtgroup.com
Tel. +34 91 6569545



DAB PUMPS (QINGDAO) CO. LTD.
No.10 Xindong Road
Jiulong Town,
Jiaozhou City
266319 Qingdao (Shandong) - China
sales.cn@dwtgroup.com
Tel. +86 400 186 8280
Fax +86 53286812210



DAB PUMPS BV
'tHofveld 6 C1
1702 Groot Bijgaarden - Belgium
info.belgium@dwtgroup.com
Tel. +32 2 4668353



DAB PUMPS HUNGARY KFT.
H-8800
Nagykanizsa, Buda Ernő u.5
Hungary
Tel. +36 93501700



DAB PUMPS DE MÉXICO, S.A. DE C.V.
Av Amsterdam 101 Local 4
Col. Hipódromo Condesa,
Del. Cuauhtémoc CP 06170
Ciudad de México
Tel. +52 55 6719 0493



DAB PUMPS POLAND Sp. z o.o.
Ul. Janka Muzyczna 60
02188 Warszawa - Poland
sprzedaz@dabpumps.com.pl



DAB PUMPS OCEANIA PTY LTD
426 South Gippsland Highway,
Dandenong South VIC 3175 - Australia
info.oceania@dwtgroup.com
Tel. +61 1300 378 677



DAB PUMPS B.V.
Statenlaan, 4
5223 LA, 's-Hertogenbosch
Nederland
info.nl@dabpumps.com
Tel. +31 416 387280



DAB PUMPS INC.
3226 Benchmark Drive
Ladson, SC 29456 - USA
info.usa@dwtgroup.com
Tel. 1- 843-797-5002
Fax 1-843-797-3366



DAB PUMPS GMBH
Am Nordpark 3
D - 41069 Mönchengladbach - Germany
info.germany@dwtgroup.com
Tel. +49 2161 47388-0
Fax +49 2161 47388-36



DAB PUMPS SOUTH AFRICA (PTY) LTD
Twenty One industrial Estate,
16 Purlin Street, Unit B, Warehouse 4
Olifantsfontein -1667 - South Africa
info.sa@dwtgroup.com
Tel. +27 12 361 3997



PT DAB PUMPS INDONESIA
Satrio Tower lantai 26
unit C-D, Jl. Prof. Dr. Satrio Kav. C4,
Kel. Kuningan Timur, Kec. Setiabudi, Kota Adm.
Jakarta Selatan, Prov. DKI Jakarta. - Indonesia
Tel. +62 2129222850