

# EVOPUS<sup>+</sup> LITE

**RUGGED AND EASY TO HANDLE,  
TAKING THE WORRY OUT OF OUR WORK.**  
ENERGY EFFICIENT WET ROTOR CIRCULATOR PUMP



**DAB**<sup>®</sup>  
WATER • TECHNOLOGY

[DABPUMPS.COM](http://DABPUMPS.COM)

# EVOPUS<sup>+</sup> LITE

## TAKING THE WORRY OUT OF OUR WORK

Evoplus Lite is our **energy-efficient** circulator pump, ideally suited to **heating and air-conditioning** applications, designed to suit any systems demanding **efficiency** and **reliable performance**, as well as **versatility**.

Reliable and long-lasting, once installed, it requires no further attention, outside of routine maintenance. Key to its versatility is **the motor head, which can be turned** to three different positions to accommodate the requirements of even the tightest spaces.

With Evoplus Lite, rugged design and efficiency are paired with **low energy consumption**.



### APPLICATION<sup>+</sup> EXAMPLE

Evoplus Lite can be used both in residential and in commercial buildings.



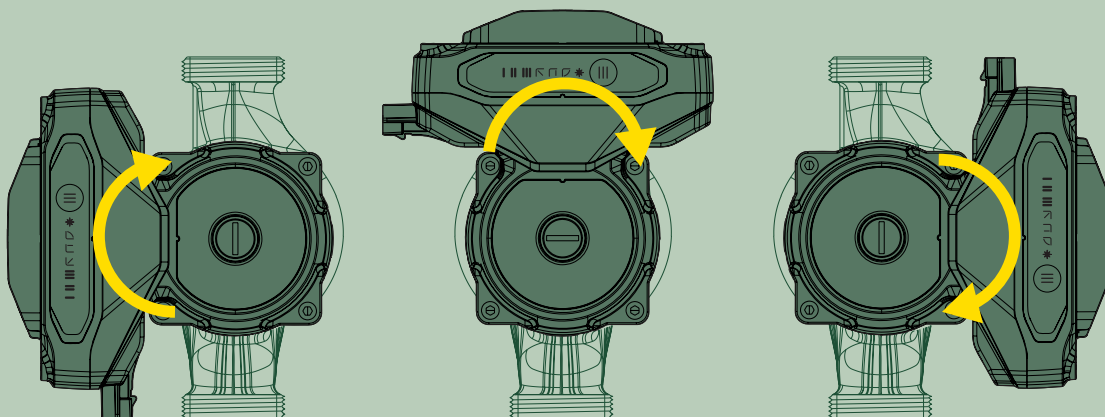
## INSTALLATION. AND HEY PRESTO, YOU'RE DONE!

Evoplus Lite is installed in a few easy steps. With **just one connector** to plug in, this is a true **plug & play unit**: easy and practical even in systems where space is tight or in awkward replacement situations.

**Single button set-up.** The installation interface is intuitive, and the 7-LED display is easy to read.

In addition, **the motor head can be turned to 3 different positions** to accommodate different installations, even when dealing with tight or awkward spaces, thus making the engineers' job easier.

Evoplus Lite is **quick to install** and requires only minimum routine maintenance: once up and running, you forget it's even there.



# FORWARD-THINKING DESIGN

Evoplus Lite has been designed from the outset to be **reliable**. The **increased separation between the motor and electronics** results in better thermic insulation, which grants safer use in air-condition, where systems are more prone to condensation.

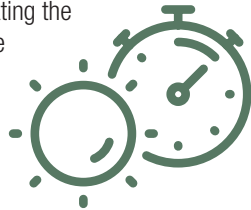


**Direct access to the motor shaft** makes for easier maintenance — for example, when it needs releasing — and optimized operation, enabling quick and easy venting, for instance.



# SUMMER MODE

With the **Summer Mode** function, even if the circulator pump is not running, its **electronics are active**: every **25 hours**, Evoplus Lite comes back on, circulating the water long enough to stop limescale residue building up, which could otherwise clog the system.



# CHOOSE YOUR PERFORMANCE

You can also choose Evoplus Lite's **performance level**. The circulator pump's electronics can vary motor rpm — and consequently absorbed power — to achieve up to **six different performance levels** (curves). That way, Evoplus Lite's **setting** will be matched extremely accurately to the **system's specific requirements**.

## VERSION



	EVOPPLUS LITE	EVOPPLUS LITE SAN
<b>OPERATING RANGE</b>	2,0 - 12,5 m³/h with head up to 12 meters	
<b>PUMP BODY CONNECTIONS AVAILABLE</b>	G 1" ½ - G 2" - Flanged DN32 - Flanged DN40	G 1" ½ - Flanged DN32 - Flanged DN40
<b>PUMPED LIQUID TEMPERATURE RANGE</b>	from -20 °C to +110 °C	
<b>WORKING PRESSURE</b>	16 bar (1600 kPa)	
<b>PROTECTION CLASS</b>	IP44	
<b>STANDARD POWER INPUT</b>	single-phase 1x220-240 V ~ 50/60 Hz	



**DAB PUMPS LTD.**  
Unit 6 Gilbert Court  
Newcomen Way, Severalls Park  
C04 9WN  
Colchester  
ordersuk@dwtgroup.com  
Tel. +44 0333 777 5010



**DAB PUMPS IBERICA S.L.**  
Calle Verano 18-20-22  
28850 - Torrejón de Ardoz - Madrid  
Spain  
Info.spain@dwtgroup.com  
Tel. +34 91 6569545



**DAB PUMPS (QINGDAO) CO. LTD.**  
No.10 Xindong Road  
Jiaolong Town,  
Jiaozhou City  
266319 Qingdao (Shandong) - China  
sales.cn@dwtgroup.com  
Tel. +86 400 186 8280  
Fax +86 53286812210



**DAB PUMPS BV**  
'tHofveld 6 C1  
1702 Groot Bijgaarden - Belgium  
info.belgium@dwtgroup.com  
Tel. +32 2 4668353



**DAB PUMPS HUNGARY KFT.**  
H-8800  
Nagykanizsa, Buda Ernő u.5  
Hungary  
Tel. +36 93501700



**DAB PUMPS DE MÉXICO, S.A. DE C.V.**  
Av Amsterdam 101 Local 4  
Col. Hipódromo Condesa,  
Del. Cuauhtémoc CP 06170  
Ciudad de México  
Tel. +52 55 6719 0493



**DAB PUMPS POLAND Sp. z o.o.**  
Ul. Janka Muzyczna 60  
02188 Warszawa - Poland  
sprzedaz@dabpumps.com.pl



**DAB PUMPS OCEANIA PTY LTD**  
426 South Gippsland Highway,  
Dandenong South VIC 3175 - Australia  
info.oceania@dwtgroup.com  
Tel. +61 1300 378 677



**DAB PUMPS B.V.**  
Statenlaan, 4  
5223 LA, 's-Hertogenbosch  
Nederland  
info.nl@dabpumps.com  
Tel. +31 416 387280



**DAB PUMPS INC.**  
3226 Benchmark Drive  
Ladson, SC 29456 - USA  
info.usa@dwtgroup.com  
Tel. 1- 843-797-5002  
Fax 1-843-797-3366



**DAB PUMPS GMBH**  
Am Nordpark 3  
D - 41069 Mönchengladbach - Germany  
info.germany@dwtgroup.com  
Tel. +49 2161 47388-0  
Fax +49 2161 47388-36



**DAB PUMPS SOUTH AFRICA (PTY) LTD**  
Twenty One industrial Estate,  
16 Purlin Street, Unit B, Warehouse 4  
Olifantsfontein -1667 - South Africa  
info.sa@dwtgroup.com  
Tel. +27 12 361 3997



**PT DAB PUMPS INDONESIA**  
Satrio Tower lantai 26  
unit C-D, Jl. Prof. Dr. Satrio Kav. C4,  
Kel. Kuningan Timur, Kec. Setiabudi, Kota Adm.  
Jakarta Selatan, Prov. DKI Jakarta. - Indonesia  
Tel. +62 2129222850