

QUICK GUIDE

S4

HYDRAULIC PART



4" GG/GX



4" OL



- UK** DAB PUMPS LTD.
6 Gilbert Court
Newcomen Way
Severalls Business Park
Colchester, Essex CO4
9WN - UK
salesuk@dwtgroup.com
Tel.: +44 0333 777 5010
- ES** DAB PUMPS IBERICA S.L.
Calle Verano 18-20-22
28050 - Torrejón de Ardoz - Madrid
Spain
info.spain@dwtgroup.com
Ph.: +34 91 6569545
Fax: +34 91 6569676
- BE** DAB PUMPS B.V.
"Hofveld 6 C1
1702 Groot Biggaarden - Belgium
info.belgium@dwtgroup.com
Tel. +32 2 4668353
- NL** DAB PUMPS B.V.
Albert Einsteinweg, 4
5151 DL Drunen - Nederland
info.netherlands@dwtgroup.com
Tel. +31 416 387280
Fax +31 416 387299
- US** DAB PUMPS INC.
3226 Benchmark Drive
Ladson, SC 29456 - USA
info.usa@dwtgroup.com
Tel. 1-843-797-5002
Fax 1-843-797-3366
- ZA** DAB PUMPS SOUTH AFRICA
Twenty One Industrial Estate,
16 Purlin Street, Unit 8, Warehouse 4
Olifantsfontein - 1666 - South Africa
info.sa@dwtgroup.com
Tel. +27 12 361 3997
- RU** DAB PUMPS
Novgorodskaya str. 1, block G
office 308, 127247, Moscow - Russia
info.russia@dwtgroup.com
Tel. +7 495 122 0035
Fax +7 495 122 0036
- DE** DAB PUMPEN DEUTSCHLAND GmbH
Tackweg 11
D - 47918 Tönisvorst - Germany
info.germany@dwtgroup.com
Tel. +49 2151 82136-0
Fax +49 2151 82136-36
- PL** DAB PUMPS POLAND SP. z o.o.
Ul. Janka Muzykanta 60
02-188 Warszawa - Poland
polska@dabpumps.com.pl
- HU** DAB PUMPS HUNGARY KFT.
H-8800 Nagykanizsa, Buda Ernő u.5
Hungary Tel. +36 93501700
- MX** DAB PUMPS DE MÉXICO, S.A. DE C.V.
Av Amsterdam 101 Local 4
Col. Hipódromo Condesa,
Del. Cuauhtémoc CP 06170
Ciudad de México
Tel. +52 55 6719 0493
- AU** DAB PUMPS OCEANIA PTY LTD
426 South Gippsland Hwy,
Dandenong South VIC 3175 -
Australia
info.oceania@dwtgroup.com
Tel. +61 1300 373 677



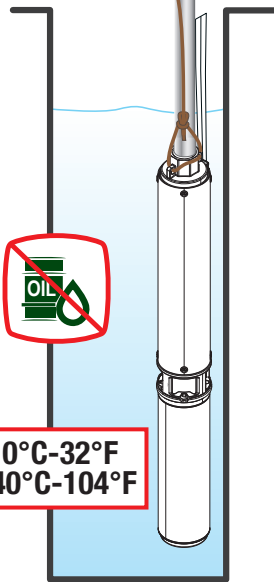
Via M. Polo, 14 - 35035 Mestrino (PD) - Italy
Tel. +39 049 5125000 - Fax +39 049 5125950
www.dabpumps.com

07/19 cod. 60196285

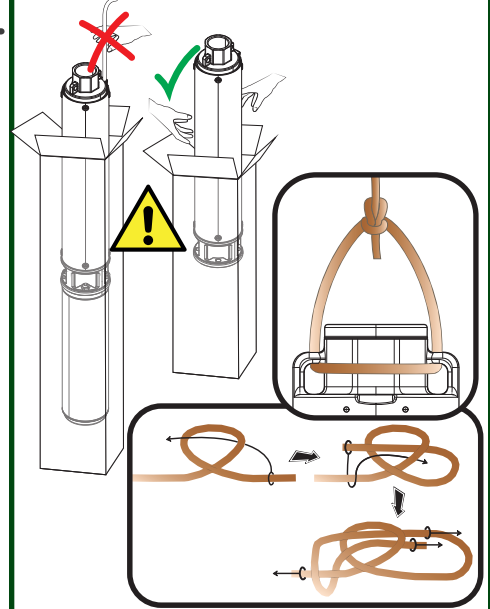
1



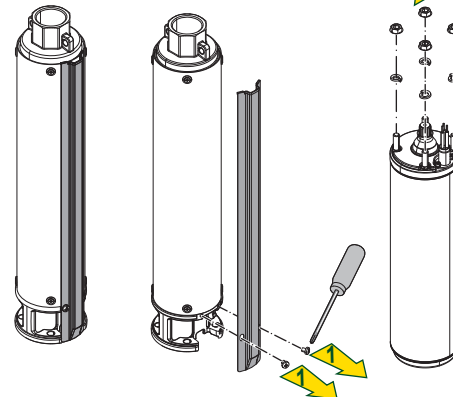
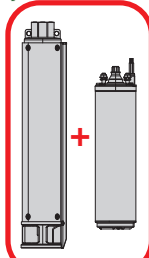
Min 0°C-32°F
Max 40°C-104°F



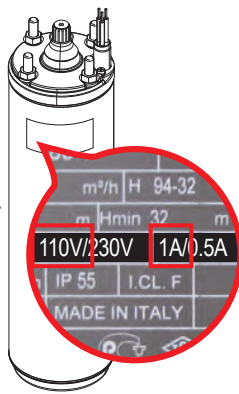
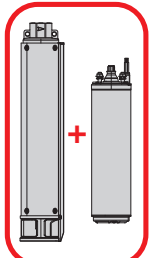
2



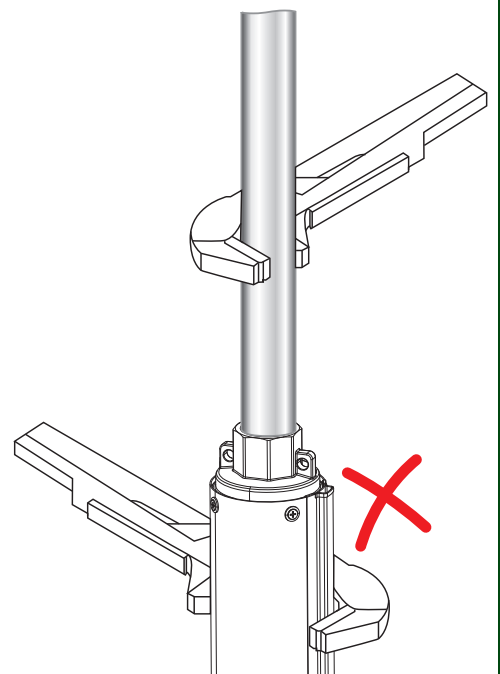
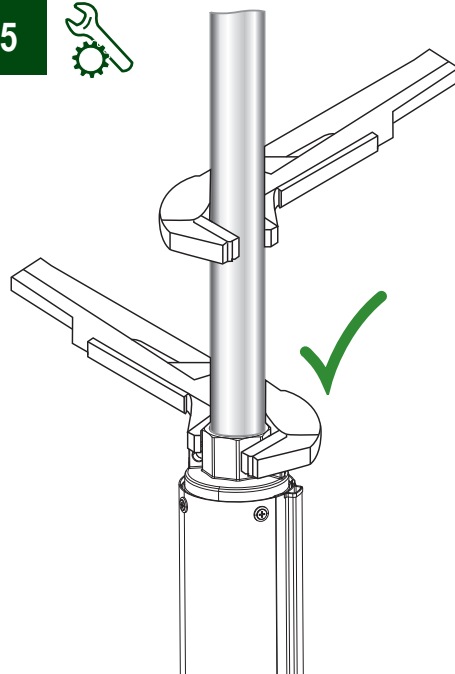
3



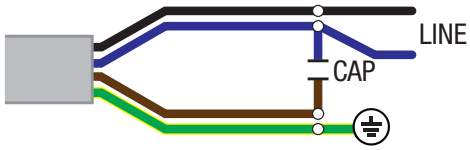
4



5



7

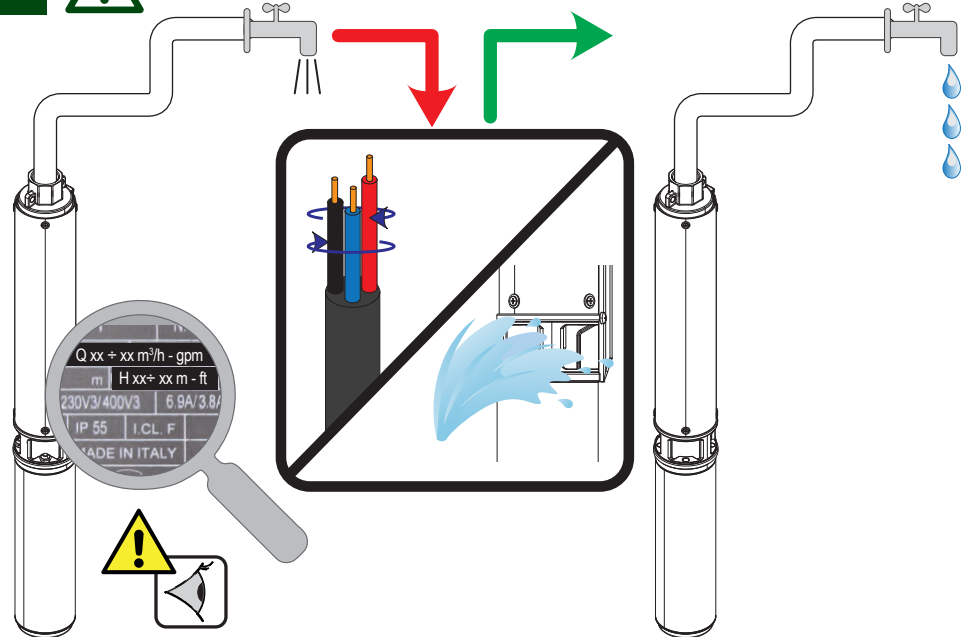


STD Single Phase



STD 2W Single Phase

8



6

