

**FK**

SUBMERSIBLE PUMPS FOR SEWAGE







### TECHNICAL DATA

**Impeller Type:** Vortex ; Single channel.  
**Solid Handling:** 65 ÷ 100 mm.  
**Nominal Power:** 1,1 ÷ 11 kW.  
**Outlet :** DN 65 / 80 / 100 / 150.  
**Performance Range:** from 4.3 to 280 m<sup>3</sup>/h with 41 meters head.  
**Fluid :** wastewater and sewage from buildings and sites in private, commercial, industrial areas.  
**Fluid PH:** 6.5 ÷ 12.  
**Fluid Temperature Range:** from 0° to +40°C. for higher temperature please contact our sale offices.  
**Max installation Depth:** 20mt ( with a proper cable length ).  
**Type of installation:** fixed by Coupling Unit, portable in vertical position with pedestal.  
 Continuous working with total submerged applications, or discontinuous S3 with respect of minimum levels.  
**Approvals:** EN 12050-1 e Ex (ATEX , IECEx).

### APPLICATIONS

Design for the pumping of wastewater and sewage from buildings and sites in private, commercial, industrial areas in accordance with European Standard EN 12050-1.

Available in Ex version for use in potentially explosive atmosphere (ATEX certifications: II2G Ex db k IIB T4 or IECEx: Ex db IIB T4 Gb)

### PUMP CONSTRUCTION

Vortex impeller with maximum solids handling with new no-clogging shape, Single channel impeller with high efficiency and compliance with European Standard EN 12050-1. Single-unit cartridge seal with double mechanical seals, SiC-SiC at the pump side, SiC-C at the motor side. All seals are independent of rotation direction.

DN 65, DN 80, DN 100, DN150 radial slot EN 1092-1 flange discharge.

Liquid Viscosity : 1mm<sup>2</sup>/s

### MOTOR CONSTRUCTION

Premium Efficiency IE3, three-phase, squirrel-cage motor. Continuously S1 rated motor in submerged applications, or discontinuous S3 according to minimum levels. Seal monitoring by a moisture sensor in the seal chamber, which signals an inspection alert if there is leakage at the mechanical seals ( Optional ). Bi-metallic switch in stator windings, with max temperature ( 130°C ). Start-up: 1.1 - 4.0 kW = direct on line (DOL); 5.5 - 11.0 kW = star-delta (Y/Δ). Lubricated-for-life bearings with a calculated lifetime of minimum 50,000 hrs. Stainless steel shaft. Designed with high resistance fatigue fracture.

Degree of protection : IP 68.

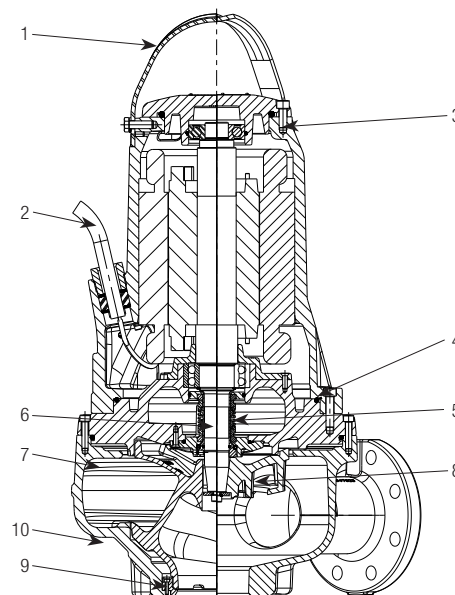
Insulation class : F.

Max starting /hours : 20.

### MATERIALS

N°	PARTS	MATERIALS
1	Handle	Stainless Steel ( AISI 304 )
2	Electric cable	07RN8-F
3	Screws	STAINLESS STEEL ( AISI 304 )
4	OR	NBR
5	Mechanical seal pump side	SiC/SiC
	Mechanical seal motor side	SiC/Carbon
	Ring Seal*	HNBR
6	Motor Shaft	Stainless Steel ( AISI 420 )
7	Pump body / motor	Cast Iron ( EN GJL 200 )
8	Impeller	Cast Iron ( EN GJL 250 )
9	Wear ring	Cast Iron ( EN GJL 150 )
10	Coating	Acrylic Two-component 50µm

\* only from 3kW 4 poles and from 4kW 2 poles



## - DENOMINATION INDEX

(example)

	<b>FK</b>	<b>C</b>	<b>65</b>	<b>22</b>	<b>2</b>	<b>T</b>	<b>5</b>	<b>230D</b>	<b>Ex</b>	<b>S</b>	
<b>DIGITS</b>											
<b>FK</b>	Technical pump range name										
<b>C</b>	Single channel impeller										
<b>V</b>	Vortex impeller										
<b>65</b>	Outlet diameter										
<b>80</b>											
<b>100</b>											
<b>150</b>											
<b>22</b>	Approximate nominal power kW x10 (a, b, c, d in case of different curve at same power)										
<b>2</b>	Number of poles										
<b>4</b>											
<b>T</b>	Three-phase										
<b>5</b>	Tension frequency										
<b>6</b>	5 = 50hz - 6 = 60hz										
<b>230</b>	<b>D.O.L.</b>	Tension rate & Start method									
<b>220-277</b>	<b>D.O.L.</b>										
<b>400</b>	<b>D.O.L.</b>										
<b>380-480</b>	<b>D.O.L.</b>										
<b>230</b>	<b>Y/D</b>										
<b>400</b>	<b>Y/D</b>										
<b>220-277</b>	<b>Y/D</b>										
<b>380-480</b>	<b>Y/D</b>										
<b>EX</b>	No explosion proof Explosion proof (ATEX)										
<b>S</b>	No sensor version (moisture sensor) Sensor version (moisture sensor) NOT for Ex version										
	Cable length 10m										
<b>20,30,50</b>	Specific cable length										

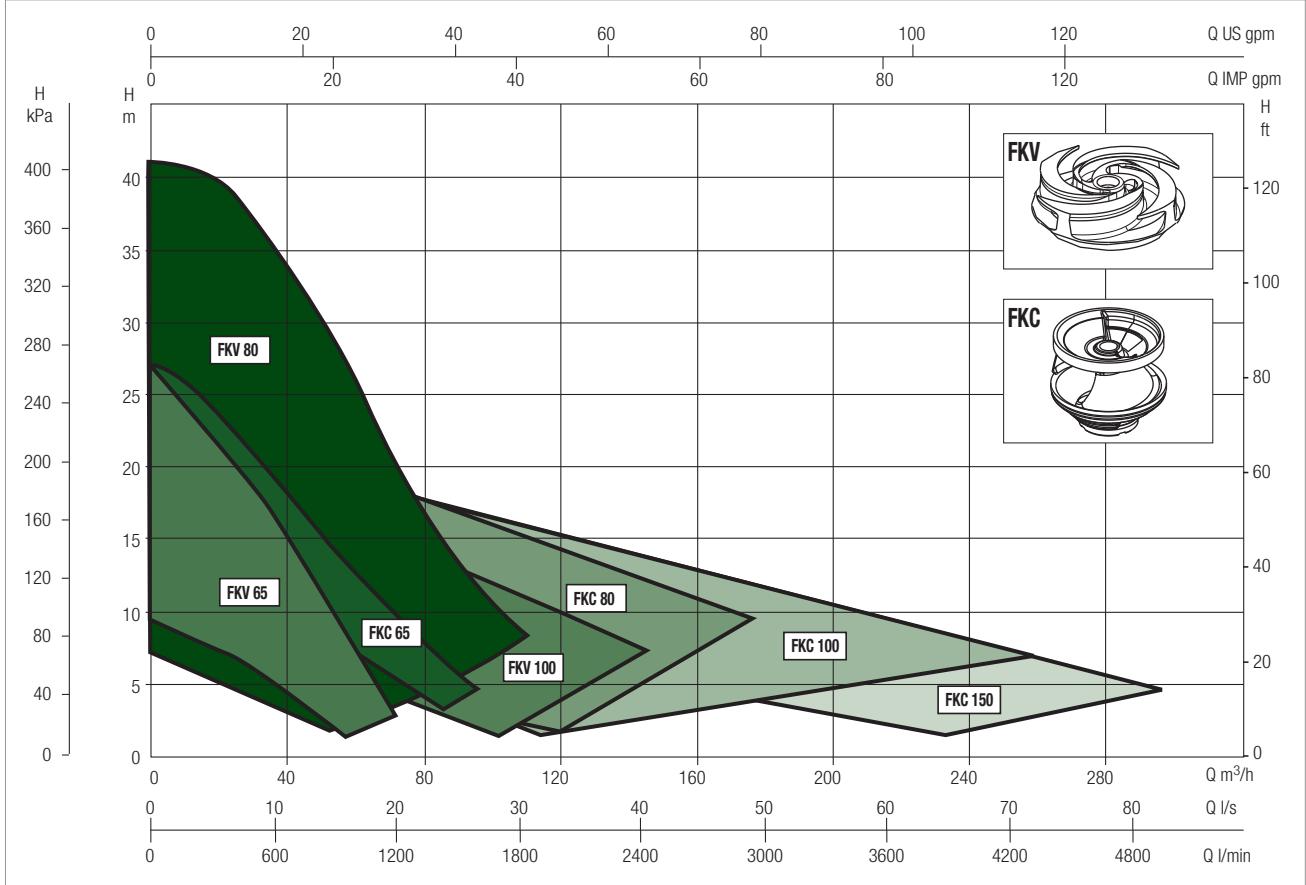
## STANDARD AND OPTIONS

	STANDARD	OPTIONS
<b>MAINS VOLTAGE</b>	3 x 400 V~	3 x 230 V~
<b>VOLTAGE TOLERANCE</b>	+ 6 % / -10 %, 50 Hz	-
<b>TEMPERATURE MONITORING BY BI-METALLIC SWITCH IN THE STATOR WINDINGS</b>	150° C	-
<b>MECHANICAL SEAL (AT PUMP SIDE)</b>	SiC/SiC	-
<b>MECHANICAL SEAL (AT MOTOR SIDE)</b>	SiC/Carbon	-
<b>MOISTURE SENSOR</b>	-	YES
<b>CABLE LENGTH (M)</b>	10	20-30-50
<b>APPROVALS</b>	EN 12050 -1	Ex (ATEX, IECEx)
<b>O-RING</b>	NBR	FKM (Viton®)
<b>INSTALLATION</b>	Wet well	-

### PERFORMANCE RANGE

The performance curves are based on kinematic viscosity values = 1 mm<sup>2</sup>/s and density equal to 1000 kg/m<sup>3</sup>. Curve tolerance according to ISO 9906.

### GRAPHIC SELECTION TABLE



### SELECTION TABLE FKV 65

MODEL	Q																
	0	7,2	14,4	21,6	28,8	36	43,2	50,4	57,6	64,8	72	79,2	86,4	93,6	100,8	108	
	0	120	240	360	480	600	720	840	960	1080	1200	1320	1440	1560	1680	1800	
FKV 65 11.4 T5 400D	9,1	8,7	7,9	6,7	5,3	4,0	2,7	1,8									
FKV 65 22.2 T5 400D	16,5	14,3	11,8	9,1	6,6	4,3	2,7										
FKV 65 30.2 T5 400D	21,1	19,5	17,1	14,2	11,1	8,1	5,4	3,4	2,3								
FKV 65 40.2 T5 400D	27,2	26,0	24,0	21,3	18,3	15,1	11,8	8,8	6,2	4,2	3,0						

### SELECTION TABLE FKV 80

MODEL	Q																
	0	7,2	14,4	21,6	28,8	36	43,2	50,4	57,6	64,8	72	79,2	86,4	93,6	100,8	108	
	0	120	240	360	480	600	720	840	960	1080	1200	1320	1440	1560	1680	1800	
FKV 80 11.4 T5 400D	7,0	6,7	6,1	5,3	4,5	3,6	2,7	1,9	1,3								
FKV 80 15.4 T5 400D	9,5	9,3	8,9	8,1	7,2	6,1	5,0	3,9	3,0	2,3	1,9						
FKV 80 22.4 T5 400D	11,8	11,6	11,3	10,8	10,0	9,1	8,0	6,9	5,8	4,7	3,7	2,8					
FKV 80 40.4 T5 400D	17,5	17,1	16,5	15,7	14,9	14,0	13,1	12,1	11,1	10,0	9,0	8,1	7,1				
FKV 80 40.2 T5 400D	22,1	21,1	19,5	17,3	14,9	12,2	9,7	7,3	5,2	3,7	2,9						
FKV 80 60.2 T5 400Y/D	29,1	28,4	27,0	25,1	22,8	20,3	17,6	14,8	12,2	9,8	7,3	5,5					
FKV 80 75.2 T5 400Y/D	32,1	31,8	30,8	29,1	27,0	24,5	21,8	18,9	16,0	13,2	10,6	8,4	6,6	5,4			
FKV 80 92.2 T5 400Y/D	36,2	35,9	35,1	33,7	31,7	29,2	26,4	23,4	20,3	17,3	14,3	11,7	9,5	7,7	6,6		
FKV 80 110.2 T5 400Y/D	41,2	41,0	40,5	39,2	37,4	35,2	32,6	29,7	26,6	23,5	20,3	17,3	14,6	12,1	10,0	8,5	

## SELECTION TABLE FKV 100

MODEL	Q=m³/h	0,0	14,4	28,8	43,2	57,6	72,0	86,4	100,8	115,2	129,6	144,0
	Q=l/min	0,0	240	480	720	960	1200	1440	1680	1920	2160	2400
FKV 100 30.4 T5 400D	H (m)	11,8	10,9	9,7	8,2	6,5	4,9	3,4	2,3			
FKV 100 40.4 T5 400D		14,0	13,2	12,0	10,6	9,0	7,4	5,8	4,3	3,1		
FKV 100 55.4 T5 400Y/D		15,9	15,6	14,9	13,8	12,6	11,1	9,6	8,0	6,5	5,0	
FKV 100 75.4 T5 400Y/D		19,0	18,8	18,3	17,5	16,5	15,2	13,9	12,4	10,8	9,2	7,7

## SELECTION TABLE FKC 65

MODEL	Q=m³/h	0	7,2	14,4	21,6	28,8	36	43,2	50,4	57,6	64,8	72	79,2	86,4	93,6	100,8	108
	Q=l/min	0	120	240	360	480	600	720	840	960	1080	1200	1320	1440	1560	1680	1800
FKC 65 22.2 T5 400D	H (m)	20,0	17,8	17,8	15,9	14,3	12,8	11,6	10,4	9,3	8,3	7,2	6,1	4,9	3,6		
FKC 65 30.2 T5 400D		26,5	23,5	23,5	20,9	18,6	16,7	15,1	13,7	12,4	11,2	10,1	9,0	7,8	6,5	5,1	3,4

## SELECTION TABLE FKC 80

MODEL	Q=m³/h	0	14	29	43	58	72	86	101	115	130	144	158	173	187	202
	Q=l/min	0	240	480	720	960	1200	1440	1680	1920	2160	2400	2640	2880	3120	3360
FKC 80 15.4 T5 400D	H (m)	8,9	7,9	6,9	6,1	5,3	4,5	3,6	2,8	1,9						
FKC 80 22.4 T5 400D		13,9	12,0	10,5	9,2	8,0	7,0	6,0	5,0	3,9	2,6					
FKC 80 30.4 T5 400D		13,9	12,4	11,1	10,0	9,0	8,1	7,2	6,4	5,4	4,4	3,3				
FKC 80 40.4 T5 400D		17,4	15,7	14,3	13,0	11,9	10,9	10,0	9,2	8,3	7,4	6,4	5,3			
FKC 80 55.4 T5 400Y/D		20,8	19,1	17,6	16,2	14,9	13,7	12,7	11,6	10,6	9,7	8,7	7,6	6,6	5,4	
FKC 80 75.4 T5 400Y/D		24,6	22,8	21,2	19,7	18,3	17,1	15,8	14,7	13,6	12,6	11,6	10,6	9,6	8,7	7,7

## SELECTION TABLE FKC 100

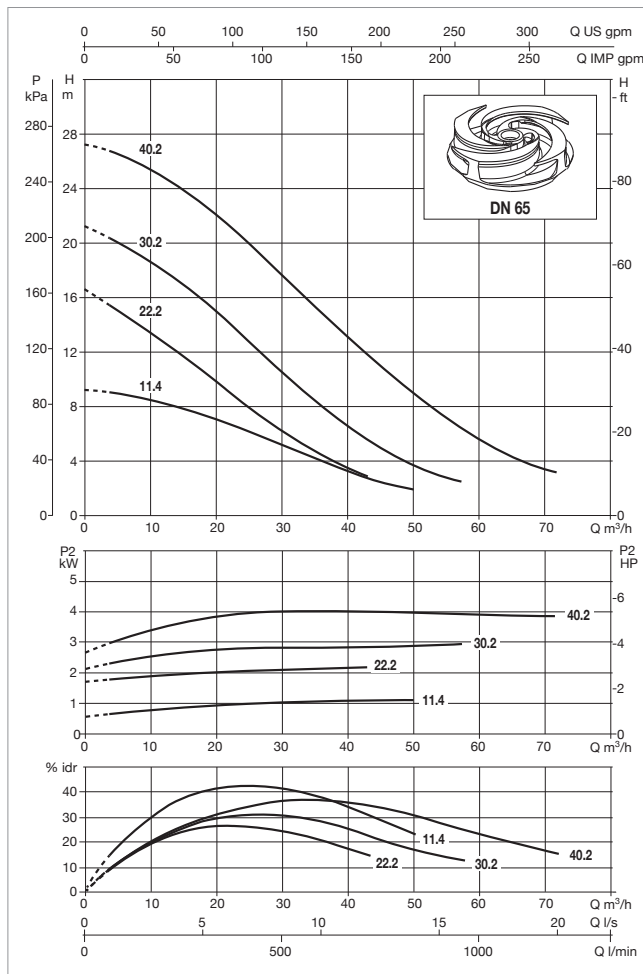
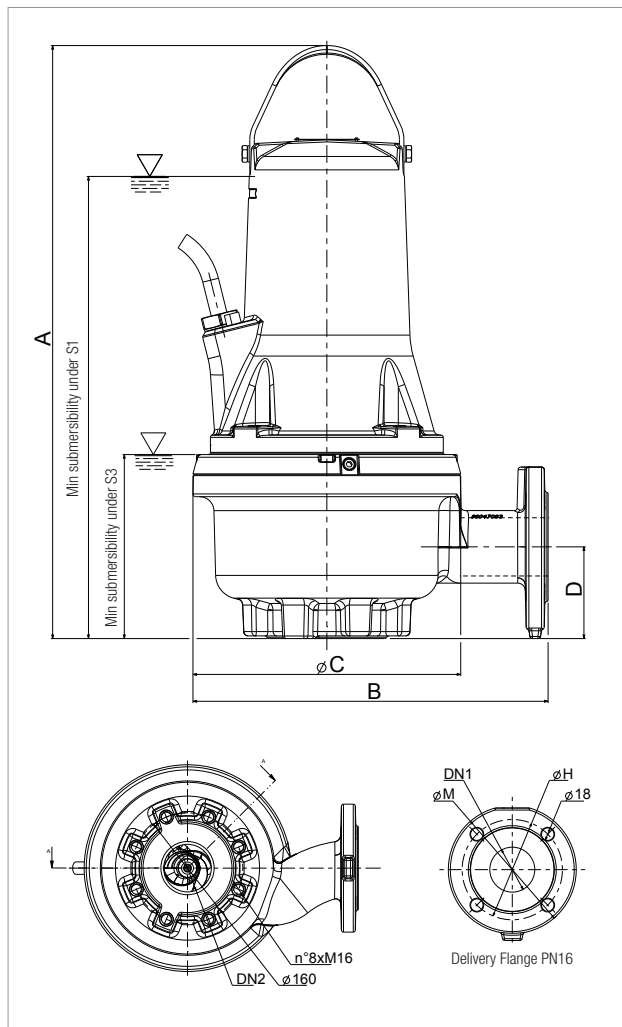
MODEL	Q=m³/h	0	22	43	65	86	108	130	151	173	194	216	238	259	281	302
	Q=l/min	0	360	720	1080	1440	1800	2160	2520	2880	3240	3600	3960	4320	4680	5040
FKC 100 15.4 T5 400D	H (m)	8,9	7,3	6,0	4,7	3,5	2,2									
FKC 100 22.4 T5 400D		14,1	11,5	9,5	7,8	6,3	4,8	3,1								
FKC 100 30.4 T5 400D		9,8	9,2	8,5	7,8	6,9	6,0	5,1	4,2	3,3	2,4					
FKC 100 40.4 T5 400D		13,1	11,8	10,7	9,5	8,5	7,4	6,4	5,4	4,4	3,3					
FKC 100 55.4 T5 400Y/D		17,4	15,7	14,1	12,7	11,5	10,3	9,3	8,2	7,1	6,0	4,9	3,5	2,1		
FKC 100 75.4 T5 400Y/D		22,5	20,7	19,0	17,5	16,0	14,6	13,2	11,9	10,6	9,3	8,1	6,8	5,4	4,1	

## SELECTION TABLE FKC 150

MODEL	Q=m³/h	0	22	43	65	86	108	130	151	173	194	216	238	259	281	302
	Q=l/min	0	360	720	1080	1440	1800	2160	2520	2880	3240	3600	3960	4320	4680	5040
FKC 150 30.4 T5 400D	H (m)	9,7	9,1	8,5	7,8	7,1	6,3	5,5	4,7	3,8	3,0	2,1				
FKC 150 40.4 T5 400D		12,4	11,5	10,6	9,7	8,8	7,9	7,0	6,1	5,2	4,2	3,2	2,2			
FKC 150 55.4 T5 400Y/D		16,0	14,8	13,7	12,5	11,4	10,3	9,2	8,2	7,1	6,1	5,1	4,2	3,2	2,3	
FKC 150 75.4 T5 400Y/D		20,9	19,2	17,7	16,3	15,0	13,8	12,6	11,6	10,5	9,5	8,6	7,6	6,6	5,5	4,4

# FKV 65 - 2/4 POLES - SUBMERSIBLE PUMPS FOR SEWAGE

Fluid temperature range: from 0° to +40°C. For higher temperature please contact our sale offices.



The performance curves are based on kinematic viscosity values = 1 mm²/s and density equal to 1000 kg/m³. Curve tolerance according to ISO 9906.

MODEL	ELECTRICAL DATA										
	RATED VOLTAGE 50 Hz	P1 kW	P2 NOMINAL		In A	Is A	η% MOTOR	% S3 * EMERGED MOTOR	RATED SPEED rpm/min	STARTING	CABLE
			kW	HP							
FKV 65 11.4 T5 400D	3 x 400V~	1,3	1,1	1,5	3,3	9,9	85,0%	100% S1	1450	DOL	10mt 4G1.5+3x1
FKV 65 22.2 T5 400D	3 x 400V~	2,5	2,2	3,0	4,8	19,1	87,5%	100% S1	2900	DOL	10mt 4G1.5+3x1
FKV 65 30.2 T5 400D	3 x 400V~	3,3	3,0	4,0	5,7	19,1	87,7%	100% S1	2900	DOL	10mt 4G1.5+3x1
FKV 65 40.2 T5 400D	3 x 400V~	4,6	4,0	5,5	7,5	27,0	89,1%	100% S1	2900	DOL	10mt 4G1.5+3x1

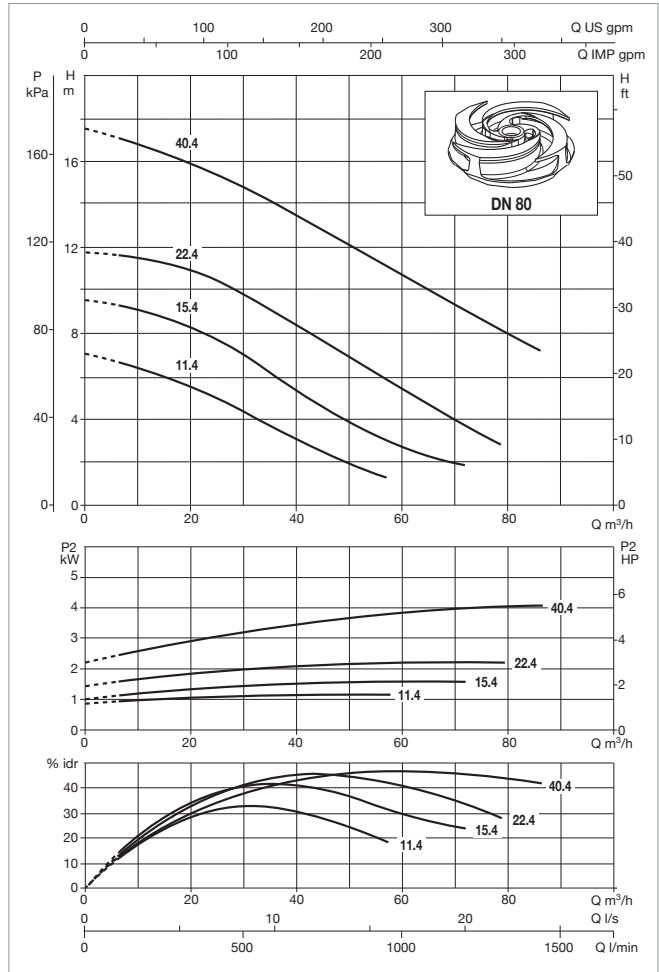
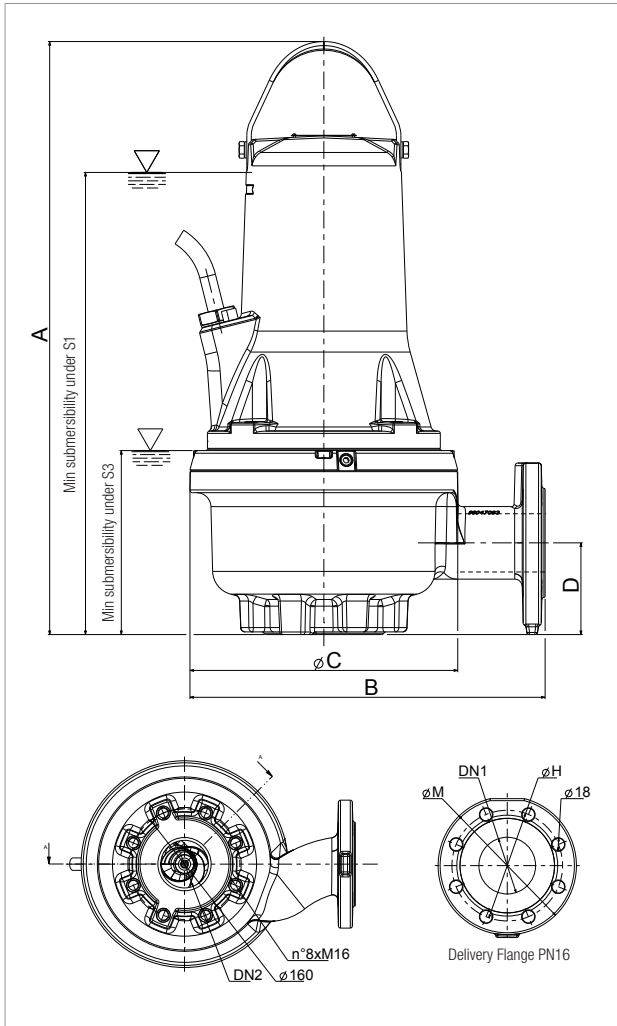
Models available in explosion proof version. ATEX: II2G Ex db k IIB T4 or IECEx: Ex db IIB T4 Gb. Only with pump completely submerged.

\* %S3 indicates the percentage of duty in a cycle from 10 up to 60 minutes; 100% S1 means continuous duty.

MODEL	SOLIDS HANDLING	A	B	C	D	S1	S3	DN2	FLANGE DIMENSION EN 1092-1 PN16				PACKAGING DIMENSION			WEIGHT Kg
									DN1	M	H	N° HOLES	L/A	L/B	H	
FKV 65 11.4 T5 400D	55	662	396	300	102	515	206	65	65	185	145	4	830	430	603	94
FKV 65 22.2 T5 400D	65	662	396	300	102	515	206	65	65	185	145	4	830	430	603	94
FKV 65 30.2 T5 400D	65	662	396	300	102	515	206	65	65	185	145	4	830	430	603	94
FKV 65 40.2 T5 400D	65	720	456	360	106	585	245	65	65	185	145	4	1030	530	668	143

# FKV 80 - 4 POLES - SUBMERSIBLE PUMPS FOR SEWAGE

Fluid temperature range: from 0° to +40°C. For higher temperature please contact our sale offices.



The performance curves are based on kinematic viscosity values = 1 mm²/s and density equal to 1000 kg/m³. Curve tolerance according to ISO 9906.

MODEL	ELECTRICAL DATA										
	RATED VOLTAGE 50 Hz	P1 kW	P2 NOMINAL		In A	Is A	η% MOTOR	% S3 * EMERGED MOTOR	RATED SPEED rpm/min	STARTING	CABLE
			kW	HP							
FKV 80 11.4 T5 400D	3 x 400V~	1,3	1,1	1,5	3,5	11,4	85,2%	100% S1	1450	DOL	10mt 4G1.5+3x1
FKV 80 15.4 T5 400D	3 x 400V~	1,8	1,5	2,0	3,8	11,4	87,2%	100% S1	1450	DOL	10mt 4G1.5+3x1
FKV 80 22.4 T5 400D	3 x 400V~	2,5	2,2	3,0	4,7	11,4	87,8%	100% S1	1450	DOL	10mt 4G1.5+3x1
FKV 80 40.4 T5 400D	3 x 400V~	4,5	4,0	5,5	8,6	20,0	88,8%	100% S1	1450	DOL	10mt 4G1.5+3x1

Models available in explosion proof version. ATEX: II2G Ex db k IIB T4 or IECEx: Ex db IIB T4 Gb. Only with pump completely submerged.

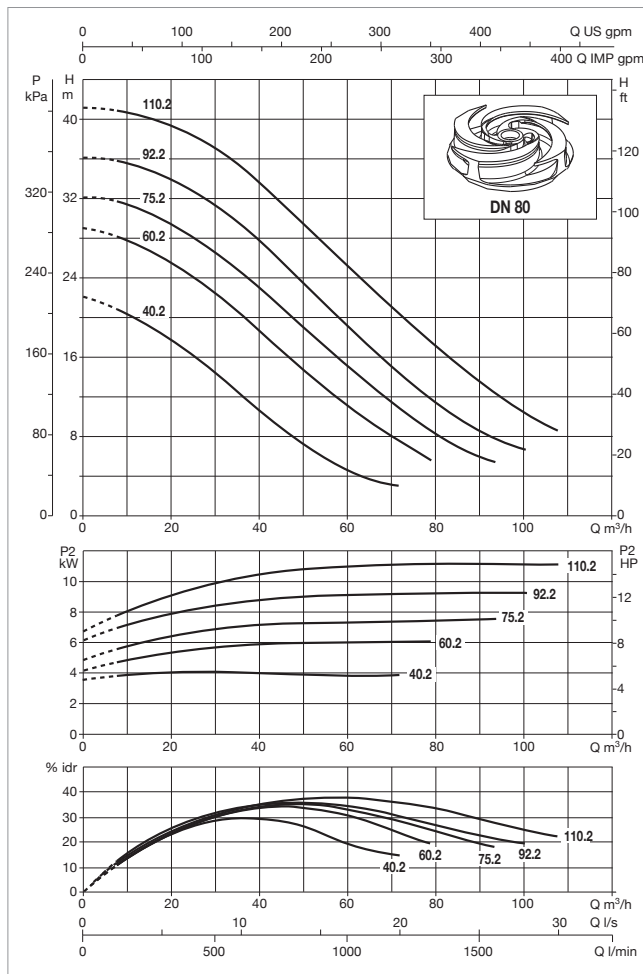
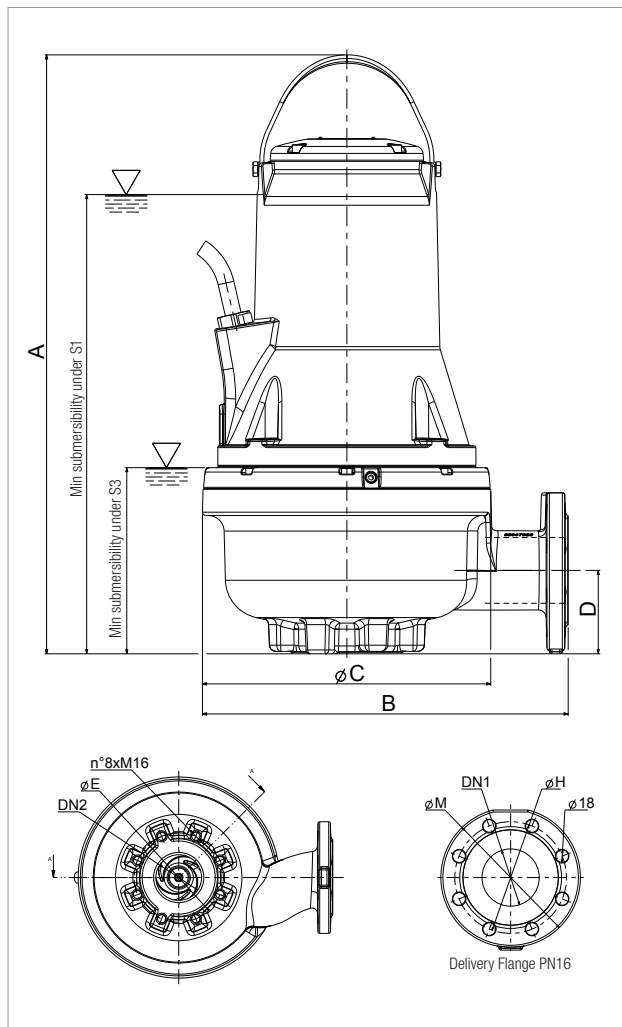
\* %S3 indicates the percentage of duty in a cycle from 10 up to 60 minutes; 100% S1 means continuous duty.

MODEL	SOLIDS HANDLING	A	B	C	D	S1	S3	DN2	FLANGE DIMENSION EN 1092-1 PN16				PACKAGING DIMENSION			WEIGHT Kg
									DN1	M	H	N° HOLES	L/A	L/B	H	
FKV 80 11.4 T5 400D	80	686	409	336	109	540	230	80	80	200	160	8	830	430	603	103
FKV 80 15.4 T5 400D	80	686	409	336	109	540	230	80	80	200	160	8	830	430	603	103
FKV 80 22.4 T5 400D	80	686	409	336	109	540	230	80	80	200	160	8	830	430	603	104
FKV 80 40.4 T5 400D	80	749	460	386	109	575	235	80	80	200	160	8	1030	530	668	172



# FKV 80 - 2 POLES - SUBMERSIBLE PUMPS FOR SEWAGE

Fluid temperature range: from 0° to +40°C. For higher temperature please contact our sale offices.



The performance curves are based on kinematic viscosity values = 1 mm²/s and density equal to 1000 kg/m³. Curve tolerance according to ISO 9906.

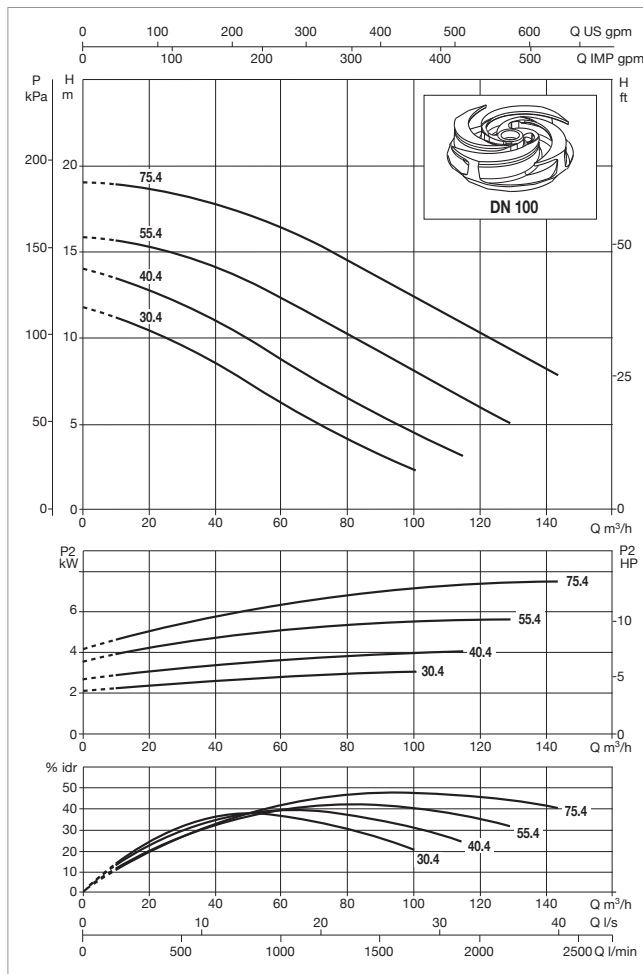
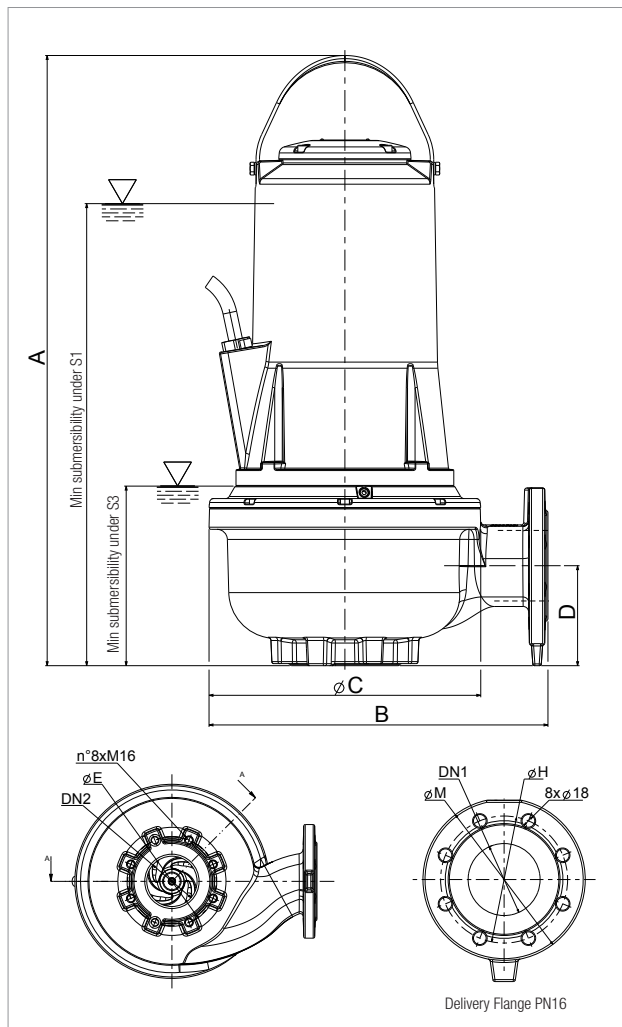
MODEL	ELECTRICAL DATA										
	RATED VOLTAGE 50 Hz	P1 kW	P2 NOMINAL		In A	Is A	η% MOTOR	% S3 * EMERGED MOTOR	RATED SPEED rpm/min	STARTING	CABLE
			kW	HP							
FKV 80 40.2 T5 400D	3 x 400V~	4,6	4,0	5,5	7,7	27,0	88,2%	100% S1	2900	DOL	10mt 4G1,5+3x1
FKV 80 60.2 T5 400Y/D	3 x 400V~	6,9	6,0	8,2	11,7	43,5	88,0%	45%	2900	Y/Δ	10mt 7G2,5+3x1
FKV 80 75.2 T5 400Y/D	3 x 400V~	8,3	7,5	10,2	13,7	41,2	90,7%	40%	2900	Y/Δ	10mt 7G2,5+3x1
FKV 80 92.2 T5 400Y/D	3 x 400V~	10,2	9,2	12,5	18,0	119,0	90,8%	45%	2900	Y/Δ	10mt 7G2,5+3x1
FKV 80 110.2 T5 400Y/D	3 x 400V~	12,1	11,0	15,0	21,0	121,0	91,2%	40%	2900	Y/Δ	10mt 7G2,5+3x1

Models available in explosion proof version. ATEX: II2G Ex db k IIB T4 or IECEx: Ex db IIB T4 Gb. Only with pump completely submerged.  
 \* %S3 indicates the percentage of duty in a cycle from 10 up to 60 minutes; 100% S1 means continuous duty.

MODEL	SOLIDS HANDLING	A	B	C	D	S1	S3	DN2	FLANGE DIMENSION EN 1092-1 PN16				PACKAGING DIMENSION			WEIGHT Kg
									DN1	M	H	N° HOLES	L/A	L/B	H	
FKV 80 40.2 T5 400D	80	747	456	360	104	575	235	80	80	200	160	8	1030	530	668	148
FKV 80 60.2 T5 400Y/D	80	747	456	360	104	575	235	80	80	200	160	8	1030	530	668	152
FKV 80 75.2 T5 400Y/D	80	747	456	360	104	575	235	80	80	200	160	8	1030	530	668	152
FKV 80 92.2 T5 400Y/D	80	863	488	390	123	650	240	80	80	200	160	8	1030	530	668	202
FKV 80 110.2 T5 400Y/D	80	863	488	390	123	650	240	80	80	200	160	8	1030	530	668	202

# FKV 100 - 4 POLES - SUBMERSIBLE PUMPS FOR SEWAGE

Fluid temperature range: from 0° to +40°C. For higher temperature please contact our sale offices.



The performance curves are based on kinematic viscosity values = 1 mm<sup>2</sup>/s and density equal to 1000 kg/m<sup>3</sup>. Curve tolerance according to ISO 9906.

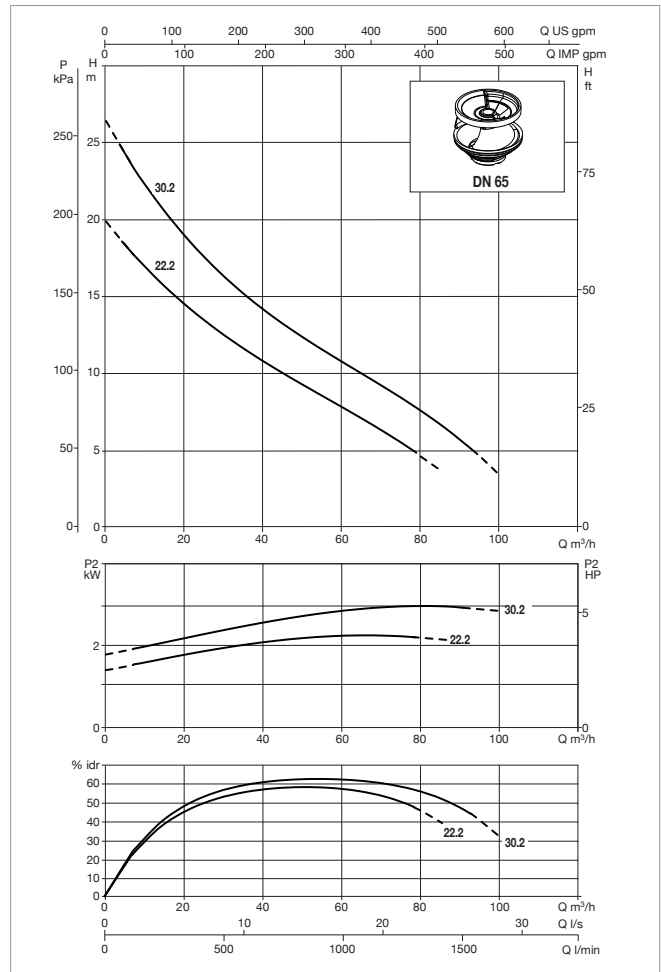
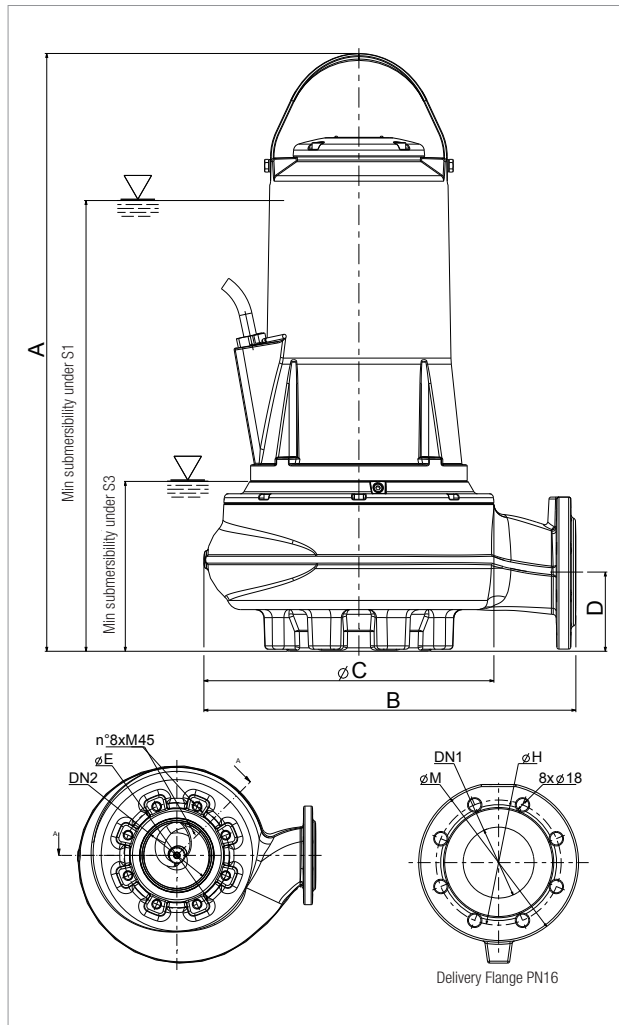
MODEL	ELECTRICAL DATA										
	RATED VOLTAGE 50 Hz	P1 kW	P2 NOMINAL		In A	Is A	η% MOTOR	% S3 * EMERGED MOTOR	RATED SPEED rpm/min	STARTING	CABLE
			kW	HP							
FKV 100 30.4 T5 400D	3 x 400 V~	3,5	3,0	4,0	8,0	24,7	87,8%	100% S1	1450	DOL	10mt 4G1.5+3x1
FKV 100 40.4 T5 400D	3 x 400 V~	4,5	4,0	5,5	8,9	20,0	88,8%	100% S1	1450	DOL	10mt 4G1.5+3x1
FKV 100 55.4 T5 400Y/D	3 x 400 V~	6,2	5,5	7,5	11,3	50,3	90,8%	80%	1450	Y/Δ	10mt 7G2.5+3x1
FKV 100 75.4 T5 400Y/D	3 x 400 V~	8,3	7,5	10,0	14,3	44,5	90,6%	60%	1450	Y/Δ	10mt 7G2.5+3x1

Models available in explosion proof version. ATEX: II2G Ex db k IIB T4 or IECEx: Ex db IIB T4 Gb. Only with pump completely submerged.  
 \* %S3 indicates the percentage of duty in a cycle from 10 up to 60 minutes; 100% S1 means continuous duty.

MODEL	SOLIDS HANDLING	A	B	C	D	S1	S3	DN2	FLANGE DIMENSION EN 1092-1 PN16				PACKAGING DIMENSION			WEIGHT Kg
									DN1	M	H	N° HOLES	L/A	L/B	H	
FKV 100 30.4 T5 400D	100	760	457	360	134	585	245	100	100	230	180	8	1030	530	668	166
FKV 100 40.4 T5 400D	100	760	457	360	134	585	245	100	100	230	180	8	1030	530	668	166
FKV 100 55.4 T5 400Y/D	100	883	490	390	123	670	230	100	100	230	180	8	1030	530	668	220
FKV 100 75.4 T5 400Y/D	100	883	490	390	123	670	230	100	100	230	180	8	1030	530	668	220

# FKC 65 - 2 POLES - SUBMERSIBLE PUMPS FOR SEWAGE

Fluid temperature range: from 0° to +40°C. For higher temperature please contact our sale offices.



The performance curves are based on kinematic viscosity values = 1 mm²/s and density equal to 1000 kg/m³. Curve tolerance according to ISO 9906.

MODEL	ELECTRICAL DATA										
	RATED VOLTAGE 50 Hz	P1 kW	P2 NOMINAL		In A	Is A	η% MOTOR	% S3 * EMERGED MOTOR	RATED SPEED rpm/min	STARTING	CABLE
			kW	HP							
<b>FKC 65 22.2 T5 400D</b>	3 x 400V~	2,6	2,2	3,0	4,8	19,1	87,3%	100% S1	2900	DOL	10mt 4G1.5+3x1
<b>FKC 65 30.2 T5 400D</b>	3 x 400V~	3,4	3,0	4,0	5,8	19,1	87,8%	100% S1	2900	DOL	10mt 4G1.5+3x1

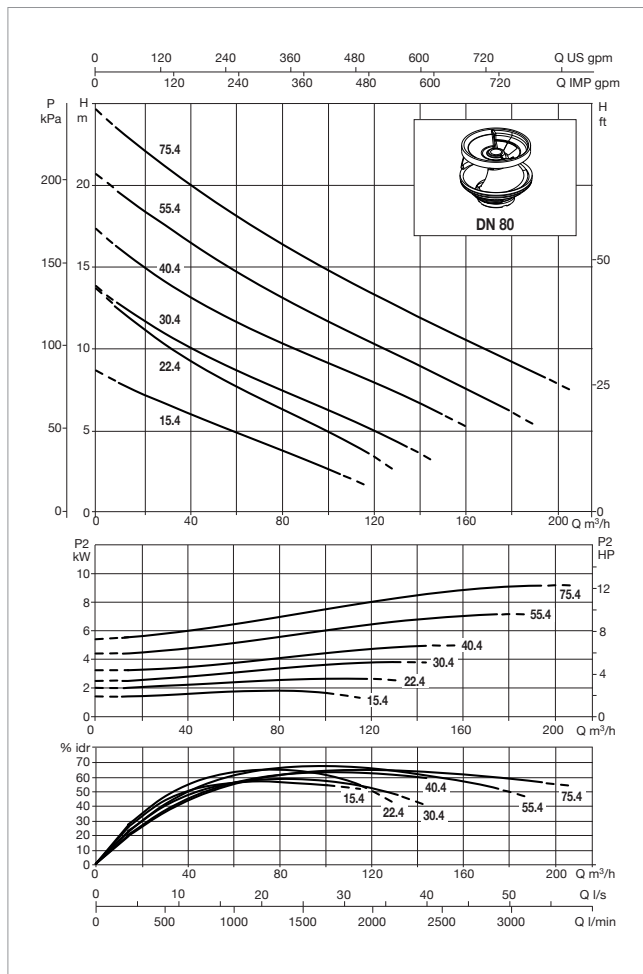
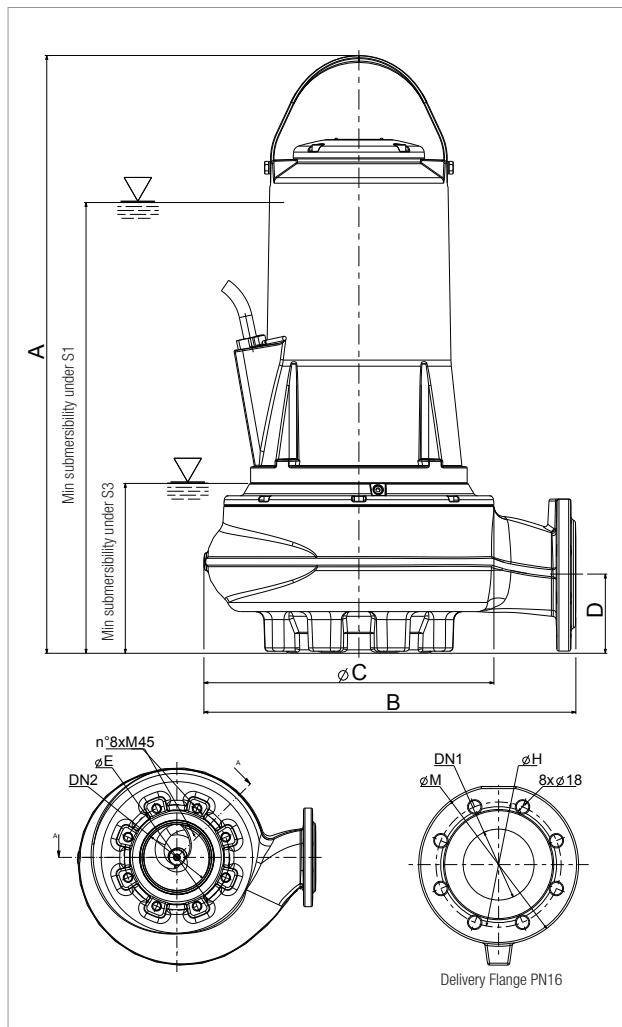
Models available in explosion proof version. ATEX: II2G Ex db k IIB T4 or IECEx: Ex db IIB T4 Gb. Only with pump completely submerged.

\* %S3 indicates the percentage of duty in a cycle from 10 up to 60 minutes; 100% S1 means continuous duty.

MODEL	SOLIDS HANDLING	A	B	C	D	S1	S3	DN2	FLANGE DIMENSION EN 1092-1 PN16				PACKAGING DIMENSION			WEIGHT Kg
									DN1	M	H	N° HOLES	L/A	L/B	H	
<b>FKC 65 22.2 T5 400D</b>	50	645	365	300	91	494	188	65	65	185	145	4	830	430	603	109
<b>FKC 65 30.2 T5 400D</b>	50	645	365	300	91	494	188	65	65	185	145	4	830	430	603	109

# FKC 80 - 4 POLES - SUBMERSIBLE PUMPS FOR SEWAGE

Fluid temperature range: from 0° to +40°C. For higher temperature please contact our sale offices.



The performance curves are based on kinematic viscosity values = 1 mm<sup>2</sup>/s and density equal to 1000 kg/m<sup>3</sup>. Curve tolerance according to ISO 9906.

MODEL	RATED VOLTAGE 50 Hz	P1 kW	P2 NOMINAL		I <sub>n</sub> A	I <sub>s</sub> A	η% MOTOR	% S3 * EMERGED MOTOR	RATED SPEED rpm/min	STARTING	CABLE
			kW	HP							
FKC 80 15.4 T5 400D	3x 400V~	1,8	1,5	2,0	3,5	11,4	87,2%	100% S1	1450	DOL	10mt 4G1.5+3x1
FKC 80 22.4 T5 400D	3x 400V~	2,6	2,2	3,0	4,7	11,4	87,3%	100% S1	1450	DOL	10mt 4G1.5+3x1
FKC 80 30.4 T5 400D	3x 400V~	3,6	3,0	4,0	7,6	24,7	87,9%	100% S1	1450	DOL	10mt 4G1.5+3x1
FKC 80 40.4 T5 400D	3x 400V~	4,7	4,0	5,5	8,9	20,0	88,6%	100% S1	1450	DOL	10mt 4G1.5+3x1
FKC 80 55.4 T5 400Y/D	3x 400V~	6,3	5,5	7,5	8,6	50,3	89,8%	80%	1450	Y/Δ	10mt 7G2.5+3x1
FKC 80 75.4 T5 400Y/D	3x 400V~	8,1	7,5	10,0	14,1	44,5	90,7%	60%	1450	Y/Δ	10mt 7G2.5+3x1

Models available in explosion proof version. ATEX: II2G Ex db k IIB T4 or IECEx: Ex db IIB T4 Gb. Only with pump completely submerged.

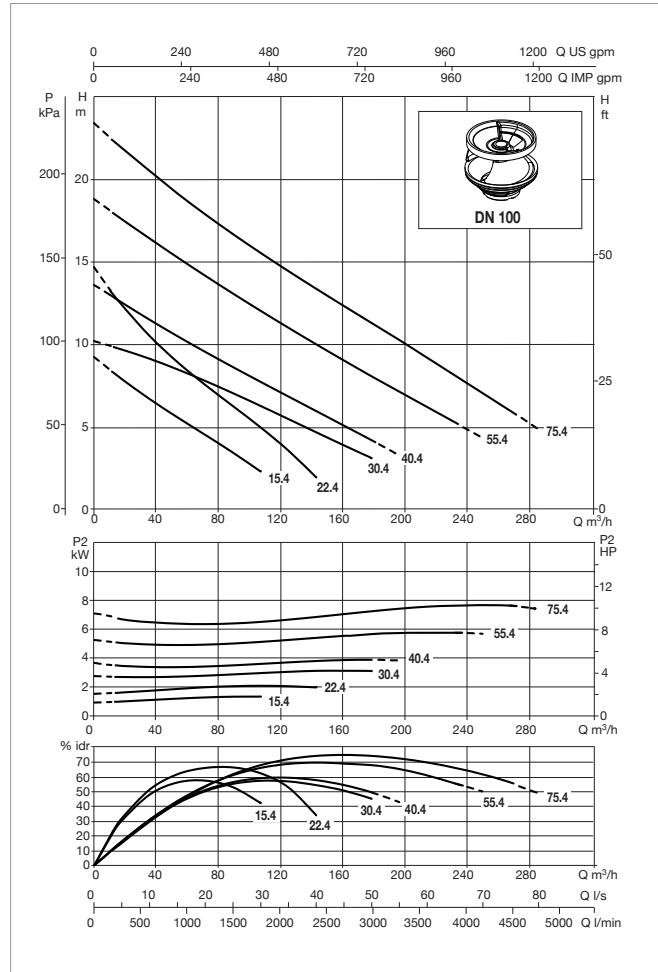
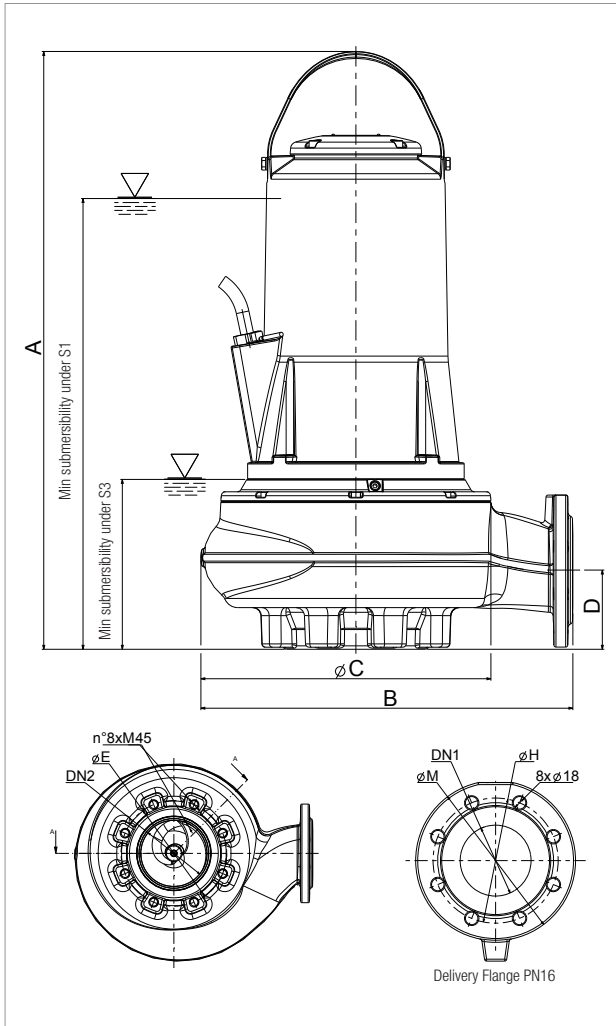
\* %S3 indicates the percentage of duty in a cycle from 10 up to 60 minutes; 100% S1 means continuous duty.

MODEL	SOLIDS HANDLING	A	B	C	D	S1	S3	DN2	FLANGE DIMENSION EN 1092-1 PN16				PACKAGING DIMENSION			WEIGHT Kg
									DN1	M	H	N° HOLES	L/A	L/B	H	
FKC 80 15.4 T5 400D	80	665	435	355	100	514	208	100	80	200	160	8	830	430	603	115
FKC 80 22.4 T5 400D	80	665	435	355	100	514	208	100	80	200	160	8	830	430	603	115
FKC 80 30.4 T5 400D	80	750	506	380	118	548	210	100	80	200	160	8	1030	530	728	177
FKC 80 40.4 T5 400D	80	750	506	380	118	548	210	100	80	200	160	8	1030	530	728	177
FKC 80 55.4 T5 400Y/D	80	860	530	407	118	660	250	100	80	200	160	8	1030	530	728	231
FKC 80 75.4 T5 400Y/D	80	860	530	407	118	660	250	100	80	200	160	8	1030	530	728	231



# FKC 100 - 4 POLES - SUBMERSIBLE PUMPS FOR SEWAGE

Fluid temperature range: from 0° to +40°C. For higher temperature please contact our sale offices.



The performance curves are based on kinematic viscosity values = 1 mm<sup>2</sup>/s and density equal to 1000 kg/m<sup>3</sup>. Curve tolerance according to ISO 9906.

MODEL	RATED VOLTAGE 50 Hz	P1 kW	P2 NOMINAL		In A	Is A	η MOTOR	% S3 * EMERGED MOTOR	RATED SPEED rpm/min	STARTING	CABLE
			kW	HP							
FKC 100 15.4 T5 400D	3 x 400 V~	1,8	1,5	2,0	3,9	11,4	87,2%	100% S1	1450	DOL	10mt 4G1.5+3x1
FKC 100 22.4 T5 400D	3 x 400 V~	2,6	2,2	3,0	4,7	11,4	87,3%	100% S1	1450	DOL	10mt 4G1.5+3x1
FKC 100 30.4 T5 400D	3 x 400 V~	3,7	3,0	4,0	7,7	24,7	88,0%	100% S1	1450	DOL	10mt 4G1.5+3x1
FKC 100 40.4 T5 400D	3 x 400 V~	4,4	4,0	5,5	8,6	20,0	89,6%	100% S1	1450	DOL	10mt 4G1.5+3x1
FKC 100 55.4 T5 400Y/D	3 x 400 V~	6,1	5,5	7,5	11,4	50,3	90,9%	80%	1450	Y/Δ	10mt 7G2.5+3x1
FKC 100 75.4 T5 400Y/D	3 x 400 V~	8,4	7,5	10,0	14,6	44,5	90,4%	60%	1450	Y/Δ	10mt 7G2.5+3x1

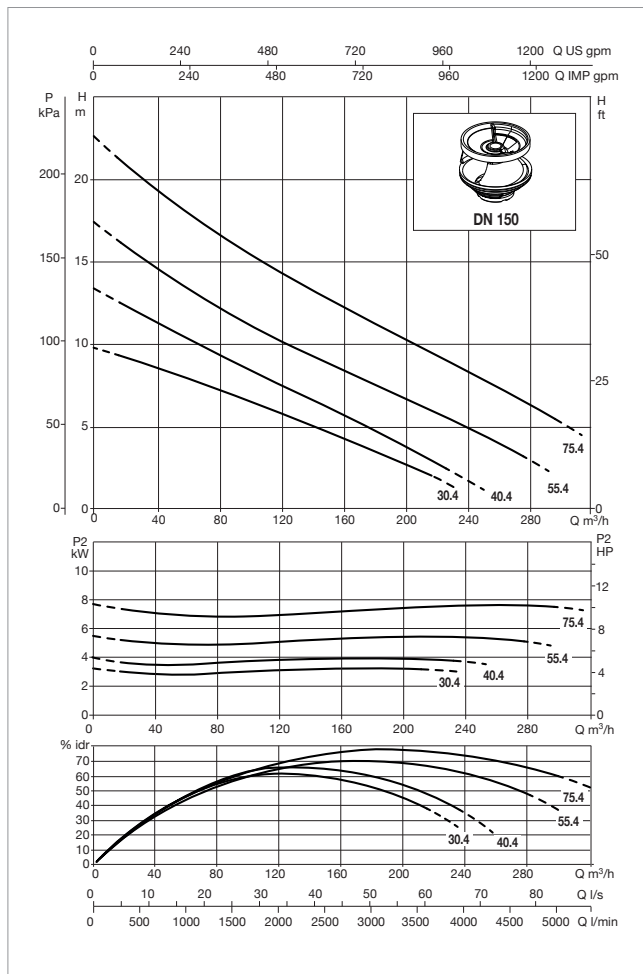
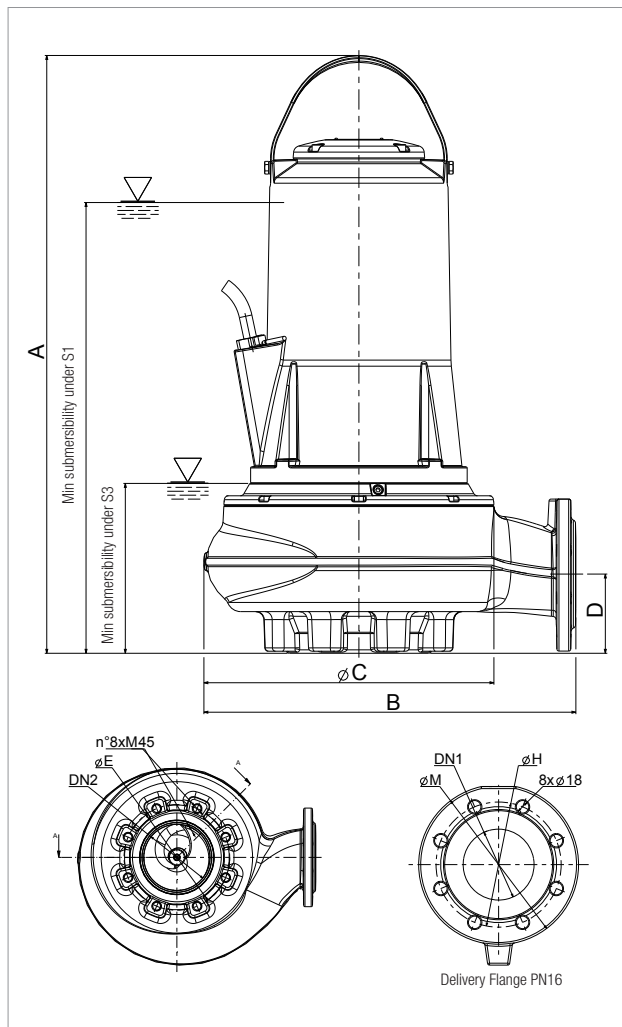
Models available in explosion proof version. ATEX: II2G Ex db k IIB T4 or IECEx: Ex db IIB T4 Gb. Only with pump completely submerged.

\* %S3 indicates the percentage of duty in a cycle from 10 up to 60 minutes; 100% S1 means continuous duty.

MODEL	SOLIDS HANDLING	A	B	C	D	S1	S3	DN2	FLANGE DIMENSION EN 1092-1 PN16				PACKAGING DIMENSION			WEIGHT Kg
									DN1	M	H	N° HOLES	L/A	L/B	H	
FKC 100 15.4 T5 400D	80	677	435	355	112	526	220	100	100	224	180	8	803	430	603	120
FKC 100 22.4 T5 400D	80	677	435	355	112	526	220	100	100	224	180	8	803	430	603	120
FKC 100 30.4 T5 400D	100	758	544	430	116	558	220	150	100	224	180	8	1030	530	728	181
FKC 100 40.4 T5 400D	100	758	544	430	116	558	220	150	100	230	180	8	1030	530	728	181
FKC 100 55.4 T5 400Y/D	100	870	540	445	115	660	250	150	100	225	180	8	1030	530	728	235
FKC 100 75.4 T5 400Y/D	100	870	540	445	115	660	250	150	100	230	180	8	1030	530	728	235

# FKC 150 - 4 POLES - SUBMERSIBLE PUMPS FOR SEWAGE

Fluid temperature range: from 0° to +40°C. For higher temperature please contact our sale offices.



The performance curves are based on kinematic viscosity values = 1 mm<sup>2</sup>/s and density equal to 1000 kg/m<sup>3</sup>. Curve tolerance according to ISO 9906.


MODEL	ELECTRICAL DATA										
	RATED VOLTAGE 50 Hz	P1 kW	P2 NOMINAL		In A	Is A	η% MOTOR	% S3 * EMERGED MOTOR	RATED SPEED rpm/min	STARTING	CABLE
			kW	HP							
FKC 150 30.4 T5 400D	3 x 400 V~	3,7	3,0	5,5	7,8	20,0	88,8%	100% S1	1450	DOL	10mt 4G1.5+3x1
FKC 150 40.4 T5 400D	3 x 400 V~	4,5	4,0	5,5	8,7	20,0	88,8%	100% S1	1450	DOL	10mt 4G1.5+3x1
FKC 150 55.4 T5 400Y/D	3 x 400 V~	6,0	5,5	7,5	11,3	50,3	90,8%	80%	1450	Y/Δ	10mt 7G2.5+3x1
FKC 150 75.4 T5 400Y/D	3 x 400 V~	8,4	7,5	10,0	14,7	44,5	90,6%	60%	1450	Y/Δ	10mt 7G2.5+3x1

Models available in explosion proof version. ATEX: II2G Ex db k IIB T4 or IECEx: Ex db IIB T4 Gb. Only with pump completely submerged.  
 \* %S3 indicates the percentage of duty in a cycle from 10 up to 60 minutes; 100% S1 means continuous duty.

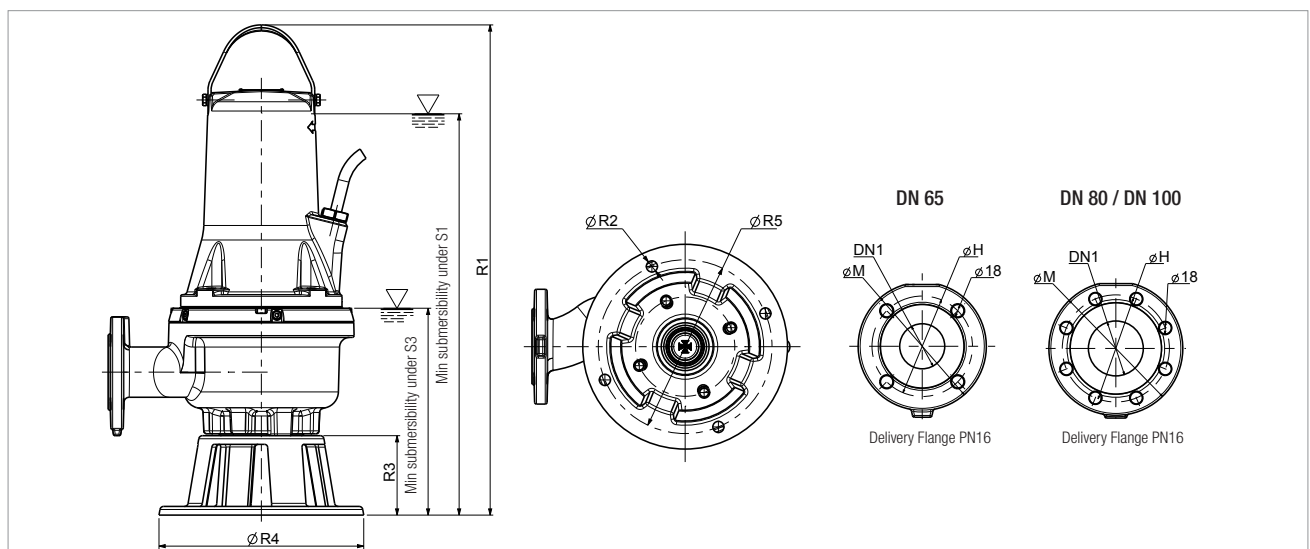
MODEL	SOLIDS HANDLING	A	B	C	D	S1	S3	DN2	FLANGE DIMENSION EN 1092-1 PN16				PACKAGING DIMENSION			WEIGHT Kg
									DN1	M	H	N° HOLES	L/A	L/B	H	
FKC 150 30.4 T5 400D	100	775	544	435	128	568	220	150	150	285	240	8	1030	530	728	181
FKC 150 40.4 T5 400D	100	775	544	435	128	568	220	150	150	285	240	8	1030	530	728	181
FKC 150 55.4 T5 400Y/D	100	870	540	460	110	660	250	150	150	285	240	8	1030	530	728	235
FKC 150 75.4 T5 400Y/D	100	870	540	460	110	660	250	150	150	285	240	8	1030	530	728	235

## FK - RINGSTAND

The Ringstand is useful for portable installation when a rapid pump positioning in the tank is needed, ensuring high stability thanks to a large contact surface.


DESCRIPTION	GENERAL FEATURES	FKV 65 FKV80	FKV 100	FKC 65	FKC 80	FKC 100 fino 2.2kW	PACKAGING DIMENSION			WEIGHT Kg
							L/A	L/B	H	
	RINGSTAND 0325 FK			x			360	360	160	10,5
	RINGSTAND 0330 FK	x				10,5				
	RINGSTAND 0355 FK		x		x	x				11,4

MODEL	R1	R2	R3	R4	R5	S1	S3	FLANGE DIMENSION EN 1092-1 PN16			
								DN1	M	H	N° HOLES
FKV 65 11.4 T5 400D	790	18	128	330	280	643	334	65	185	145	4
FKV 65 22.2 T5 400D	790	18	128	330	280	643	334	65	185	145	4
FKV 65 30.2 T5 400D	790	18	128	330	280	643	334	65	185	145	4
FKV 65 40.2 T5 400D	848	18	128	330	280	713	373	65	185	145	4
FKV 80 11.4 T5 400D	814	18	128	330	280	668	358	80	200	160	8
FKV 80 15.4 T5 400D	814	18	128	330	280	668	358	80	200	160	8
FKV 80 22.4 T5 400D	814	18	128	330	280	668	358	80	200	160	8
FKV 80 40.4 T5 400D	877	18	128	330	280	703	363	80	200	160	8
FKV 80 40.2 T5 400D	875	18	128	330	280	703	363	80	200	160	8
FKV 80 60.2 T5 400Y/D	875	18	128	330	280	703	363	80	200	160	8
FKV 80 75.2 T5 400Y/D	875	18	128	330	280	703	363	80	200	160	8
FKV 80 92.2 T5 400Y/D	991	18	128	330	280	778	368	80	200	160	8
FKV 80 110.2 T5 400Y/D	991	18	128	330	280	778	368	80	200	160	8
FKV 100 30.4 T5 400D	890	19	130	355	300	715	375	100	230	180	8
FKV 100 40.4 T5 400D	890	19	130	355	300	715	375	100	230	180	8
FKV 100 55.4 T5 400Y/D	1013	19	130	355	300	800	390	100	230	180	8
FKV 100 75.4 T5 400Y/D	1013	19	130	355	300	800	390	100	230	180	8
FKC 65 22.2 T5 400D	750	19	130	325	270	600	290	65	185	145	4
FKC 65 30.2 T5 400D	750	19	130	325	270	600	290	65	185	145	4
FKC 80 15.4 T5 400D	787	19	130	355	300	640	330	80	200	160	8
FKC 80 22.4 T5 400D	787	19	130	355	300	640	330	80	200	160	8
FKC 80 30.4 T5 400D	879	19	130	355	300	692	365	80	200	160	8
FKC 80 40.4 T5 400D	879	19	130	355	300	692	365	80	200	160	8
FKC 80 55.4 T5 400Y/D	879	19	130	355	300	692	365	80	200	160	8
FKC 80 75.4 T5 400Y/D	879	19	130	355	300	692	365	80	200	160	8
FKC 100 15.4 T5 400D	787	19	130	355	300	640	330	100	224	180	8
FKC 100 22.4 T5 400D	787	19	130	355	300	640	330	100	224	180	8
FKC 100 30.4 T5 400D	-	-	-	-	-	-	-	100	224	180	8
FKC 100 40.4 T5 400D	-	-	-	-	-	-	-	100	224	180	8
FKC 100 55.4 T5 400Y/D	-	-	-	-	-	-	-	100	224	180	8
FKC 100 75.4 T5 400Y/D	-	-	-	-	-	-	-	100	224	180	8
FKC 150 40.4 T5 400D	-	-	-	-	-	-	-	150	285	240	8
FKC 150 40.4 T5 400D	-	-	-	-	-	-	-	150	285	240	8
FKC 150 55.4 T5 400Y/D	-	-	-	-	-	-	-	150	285	240	8
FKC 150 75.4 T5 400Y/D	-	-	-	-	-	-	-	150	285	240	8



## FK - COUPLING UNIT WITH VERTICAL OUTLET DA-V (DN65 ÷ DN100)

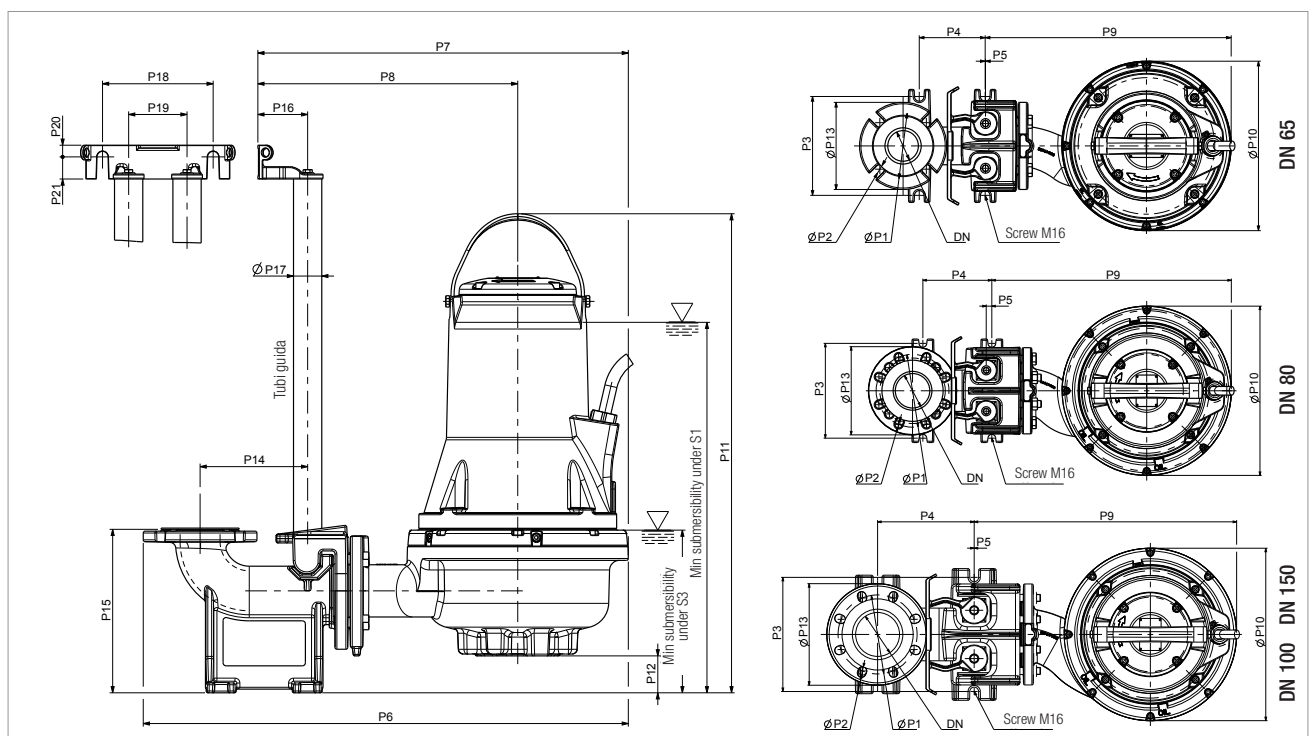
The coupling unit devices for fixed installation facilitate the ascent and descent of the pump in the tank. They come complete with all necessary components for installation with the exception of guide rails.

DESCRIPTION	GENERAL FEATURES	FKV - FKC 65	FKV - FKC 80	FKV - FKC 100	FKC 150	PACKAGING DIMENSION			WEIGHT Kg
						L/A	L/B	H	
 <b>DA-V65 COUPLING UNIT DN65</b> <b>DA-V80 COUPLING UNIT DN80</b> <b>DA-V100 COUPLING UNIT DN100</b> <b>DA-V150 COUPLING UNIT DN150</b>	- EN G.JL200 - Screws Stainless Steel A2 - Two Component Coating - NBR Rubber Seal	x				599	399	567	25
			x						31,5
				x					60
					x				96

MODEL	DN	P1	P2	P3	P4	P5	P6	P7	P8	P9	P10	P11	P12	P13	P14	P15	P16	P17	P18	P19	P20	P21	S1	S3
<b>FKV 65 11.4 T5 400D</b>	65	145	4xø18	210	140	1	730	543	394	463	300	725	63	185	175	266	81	1" 1/2	180	95	19	36	578	269
<b>FKV 65 22.2 T5 400D</b>	65	145	4xø18	210	140	1	730	543	394	463	300	725	63	185	175	266	81	1" 1/2	180	95	19	36	578	269
<b>FKV 65 30.2 T5 400D</b>	65	145	4xø18	210	140	1	730	543	394	463	300	725	63	185	175	266	81	1" 1/2	180	95	19	36	578	269
<b>FKV 65 40.2 T5 400D</b>	65	145	4xø18	210	140	1	790	603	423	523	360	780	60	185	175	266	81	1" 1/2	180	95	19	36	645	305
<b>FKV 80 11.4 T5 400D</b>	80	150+160	4xø19+8xø18	220	160	13	762	570	402	489	336	777	91	205	171	345	81	1" 1/2	180	95	19	36	631	321
<b>FKV 80 15.4 T5 400D</b>	80	150+160	4xø19+8xø18	220	160	13	762	570	402	489	336	777	91	205	171	345	81	1" 1/2	180	95	19	36	631	321
<b>FKV 80 22.4 T5 400D</b>	80	150+160	4xø19+8xø18	220	160	13	762	570	402	489	336	777	91	205	171	345	81	1" 1/2	180	95	19	36	631	321
<b>FKV 80 40.4 T5 400D</b>	80	150+160	4xø19+8xø18	220	160	13	813	620	427	527	386	842	91	205	209	345	81	1" 1/2	180	95	19	36	666	326
<b>FKV 80 40.2 T5 400D</b>	80	150+160	4xø19+8xø18	220	160	13	809	617	437	523	360	843	96	205	171	345	81	1" 1/2	180	95	19	36	671	331
<b>FKV 80 60.2 T5 400Y/D</b>	80	150+160	4xø19+8xø18	220	160	13	809	617	437	523	360	843	96	205	171	345	81	1" 1/2	180	95	19	36	671	331
<b>FKV 80 75.2 T5 400Y/D</b>	80	150+160	4xø19+8xø18	220	160	13	809	617	437	523	360	843	96	205	171	345	81	1" 1/2	180	95	19	36	671	331
<b>FKV 80 92.2 T5 400Y/D</b>	80	150+160	4xø19+8xø18	220	160	13	842	650	454	556	390	940	77	205	171	345	81	1" 1/2	180	95	19	36	727	317
<b>FKV 80 110.2 T5 400Y/D</b>	80	150+160	4xø19+8xø18	220	160	13	842	650	454	556	390	940	77	205	171	345	81	1" 1/2	180	95	19	36	727	317
<b>FKV 100 30.4 T5 400D</b>	100	180	8xø18	260	220	0	900	675	495	565	360	866	106	230	220	413	110	2"	200	110	20	35	691	351
<b>FKV 100 40.4 T5 400D</b>	100	180	8xø18	260	220	0	900	675	495	565	360	866	106	230	220	413	110	2"	200	110	20	35	691	351
<b>FKV 100 55.4 T5 400Y/D</b>	100	180	8xø18	260	220	0	934	708	512	597	390	979	96	230	220	413	110	2"	200	110	20	35	766	356
<b>FKV 100 75.4 T5 400Y/D</b>	100	180	8xø18	260	220	0	934	708	512	597	390	979	96	230	220	413	110	2"	200	110	20	35	766	356




MODEL	DN	P1	P2	P3	P4	P5	P6	P7	P8	P9	P10	P11	P12	P13	P14	P15	P16	P17	P18	P19	P20	P21	S1	S3
FKC 65 22.2 T5 400D	65	145	4xø18	210	140	1	700	512	363	431	300	720	100	185	175	266	81	1" 1/2	180	95	19	36	578	270
FKC 65 30.2 T5 400D	65	145	4xø18	210	140	1	700	512	363	431	300	720	100	185	175	266	81	1" 1/2	180	95	19	36	578	270
FKC 80 15.4 T5 400D	80	150+160	4xø19+8xø18	220	160	13	769	594	432	513	355	765	108	205	171	345	81	1" 1/2	180	95	19	36	630	325
FKC 80 22.4 T5 400D	80	150+160	4xø19+8xø18	220	160	13	769	594	432	513	355	765	108	205	171	345	81	1" 1/2	180	95	19	36	630	325
FKC 80 30.4 T5 400D	80	150+160	4xø19+8xø18	220	160	13	860	666	480	572	384	832	82	205	171	345	81	1" 1/2	180	95	19	36	666	326
FKC 80 40.4 T5 400D	80	150+160	4xø19+8xø18	220	160	13	860	666	480	572	384	832	82	205	171	345	81	1" 1/2	180	95	19	36	671	331
FKC 80 55.4 T5 400Y/D	80	150+160	4xø19+8xø18	220	160	13	883	690	490	596	407	940	82	205	171	345	81	1" 1/2	180	95	19	36	730	320
FKC 80 75.4 T5 400Y/D	80	150+160	4xø19+8xø18	220	160	13	883	690	490	596	407	940	82	205	171	345	81	1" 1/2	180	95	19	36	730	320
FKC 100 15.4 T5 400D	100	180+190	8xø18	230	220	0	876	652	490	542	355	805	148	230	220	413	110	2"	200	110	20	35	800	350
FKC 100 22.4 T5 400D	100	180+190	8xø18	230	220	0	876	652	490	542	355	805	148	230	220	413	110	2"	200	110	20	35	800	350
FKC 100 30.4 T5 400D	100	180	8xø18	260	220	0	990	762	546	652	430	885	125	230	220	413	110	2"	200	110	20	35	691	351
FKC 100 40.4 T5 400D	100	180	8xø18	260	220	0	990	762	546	652	430	885	125	230	220	413	110	2"	200	110	20	35	691	351
FKC 100 55.4 T5 400Y/D	100	180	8xø18	260	220	0	984	759	533	649	445	995	125	230	220	413	110	2"	200	110	20	35	785	375
FKC 100 75.4 T5 400Y/D	100	180	8xø18	260	220	0	984	759	533	649	445	995	125	230	220	413	110	2"	200	110	20	35	785	375
FKC 150 30.4 T5 400D	150	240	8xø23	300	280	0	1095	780	563	670	435	922	165	290	280	450	110	2"	200	110	20	35	735	407
FKC 150 40.4 T5 400D	150	240	8xø23	300	280	0	1095	780	563	670	435	922	165	290	280	450	110	2"	200	110	20	35	735	407
FKC 150 55.4 T5 400Y/D	150	240	8xø23	300	280	0	1095	781	548	671	458	1035	165	290	280	450	110	2"	200	110	20	35	820	410
FKC 150 75.4 T5 400Y/D	150	240	8xø23	300	280	0	1095	781	548	671	458	1035	165	290	280	450	110	2"	200	110	20	35	820	410

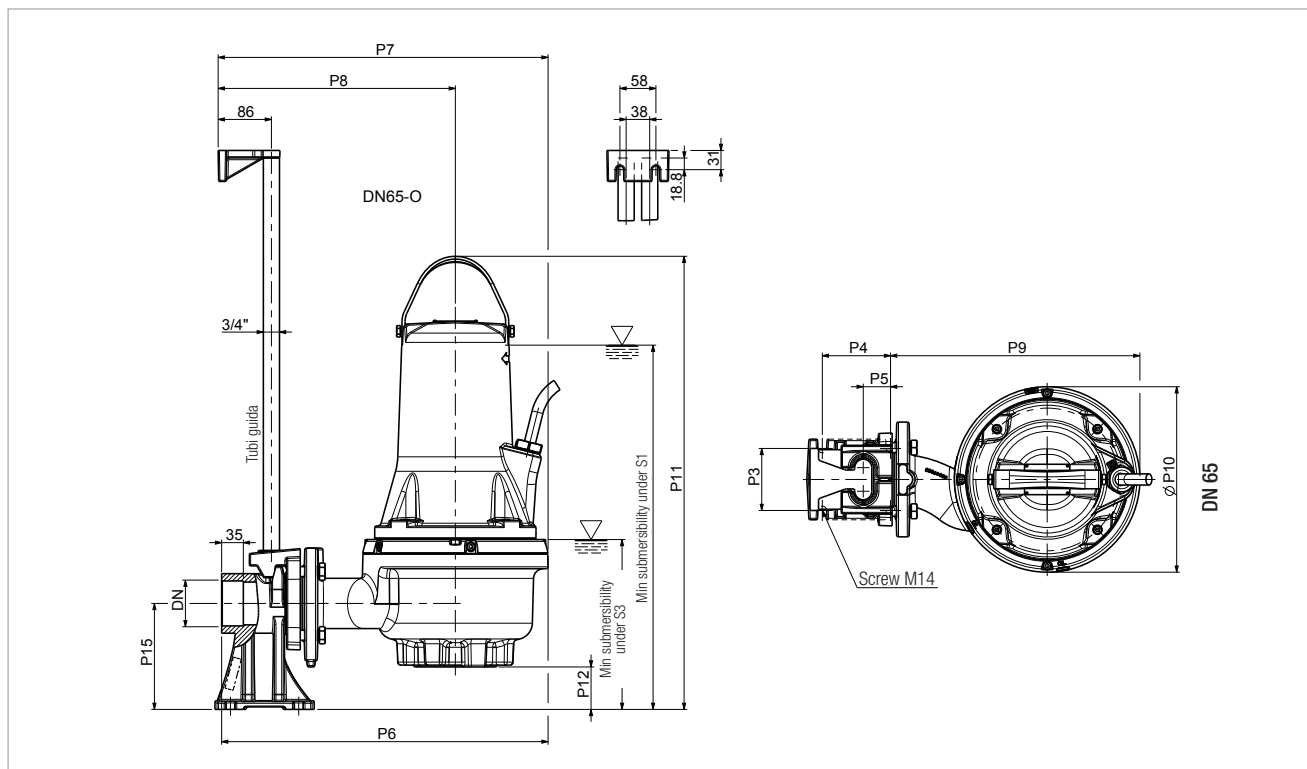


## FK - COUPLING UNIT WITH HORIZONTAL OUTLET DA-O (DN65)

The coupling unit devices for fixed installation facilitate the ascent and descent of the pump in the tank. They come complete with all necessary components for installation with the exception of guide rails.

DESCRIPTION	GENERAL FEATURES	FKV - FKC 65	FKV - FKC 80	FKV - FKC 100	FKC 150	PACKAGING DIMENSION			WEIGHT Kg
						L/A	L/B	H	
 <p><b>DA-065 COUPLING UNIT DN65</b></p>	<ul style="list-style-type: none"> <li>- EN G.JL200</li> <li>- Screws Stainless Steel A2</li> <li>- Two Component Coating</li> </ul>	x				160	180	240	12,5

MODEL	DN	P3	P4	P5	P6	P7	P8	P9	P10	P11	P12	P15	S1	S3
<b>FKV 65 11.4 T5 400D</b>	Rp 2" 1/2	100	110	44	526	532	382	402	300	730	68	171	583	274
<b>FKV 65 22.2 T5 400D</b>	Rp 2" 1/2	100	110	44	526	532	382	402	300	730	68	171	583	274
<b>FKV 65 30.2 T5 400D</b>	Rp 2" 1/2	100	110	44	526	532	382	402	300	730	68	171	583	274
<b>FKV 65 40.2 T5 400D</b>	Rp 2" 1/2	100	110	44	526	532	382	402	300	730	68	171	650	310
<b>FKC 65 22.2 T5 400D</b>	Rp 2" 1/2	100	110	44	495	490	340	371	300	725	105	171	580	275
<b>FKC 65 30.2 T5 400D</b>	Rp 2" 1/2	100	110	44	495	490	340	371	300	725	105	171	580	275



## FK - CONTROL PANEL/PUMP SELECTION MATRIX

PUMP MODEL	P1 MAX	KW	HP	In A	CONTROL PANEL ED 1 PUMP		CONTROL PANEL ED 2 PUMPS		CONTROL PANEL ED 3 PUMPS		ELECTRONIC	
					CONTROL PANEL CODE	CONTROL PANEL MODEL	CONTROL PANEL CODE	CONTROL PANEL MODEL	CONTROL PANEL CODE	CONTROL PANEL MODEL	CONTROL PANEL 2 PUMPS	
											e.box PLUS	e.box PLUS D
FKV 65 11.4 T5 400D	1,3	1,1	1,5	3,3	108320340	ED1,5T	108320450	E2D3T	108330450	E3D4,5T	.	.
FKV 65 22.2 T5 400D	2,5	2,2	3,0	4,8	108320350	ED2,5T	108320460	E2D5T	60115082	E3D7,5T	.	.
FKV 65 30.2 T5 400D	3,3	3,0	4,0	5,7	108320350	ED2,5T	108320460	E2D5T	60115082	E3D7,5T	.	.
FKV 65 40.2 T5 400D	4,6	4,0	5,5	7,5	60170054	ED4T	60170062	E2D8T	60170069	E3D12T	.	.
FKV 80 11.4 T5 400D	1,3	1,1	1,5	3,5	108320340	ED1,5T	108320450	E2D3T	108330450	E3D4,5T	.	.
FKV 80 15.4 T5 400D	1,8	1,5	2,0	3,8	108320340	ED1,5T	108320450	E2D3T	108330450	E3D4,5T	.	.
FKV 80 22.4 T5 400D	2,5	2,2	3,0	4,7	108320350	ED2,5T	108320460	E2D5T	60115082	E3D7,5T	.	.
FKV 80 40.4 T5 400D	4,5	4,0	5,5	8,6	60170054	ED4T	60170062	E2D8T	60170069	E3D12T	.	.
FKV 80 40.2 T5 400D	4,6	4,0	5,5	7,7	60170054	ED4T	60170062	E2D8T	60170069	E3D12T	.	.
FKV 80 60.2 T5 400Y/D	6,9	6,0	8,2	11,7	108320840	ED7,5T SD	60170047	E2D15T SD	60170051	E3D22,5T SD		
FKV 80 75.2 T5 400Y/D	8,3	7,5	10,2	13,7	108320840	ED7,5T SD	60170047	E2D15T SD	60170051	E3D22,5T SD		
FKV 80 92.2 T5 400Y/D	10,2	9,2	12,5	18,0	60170075	ED15T SD	60170065	E2D30T SD	60170072	E3D45T SD		
FKV 80 110.2 T5 400Y/D	12,1	11,0	15,0	21,0	60170075	ED15T SD	60170065	E2D30T SD	60170072	E3D45T SD		
FKV 100 30.4 T5 400D	3,5	3,0	4,0	8,0	60170054	ED4T	60170062	E2D8T	60170069	E3D12T	.	.
FKV 100 40.4 T5 400D	4,5	4,0	5,5	8,9	60170054	ED4T	60170062	E2D8T	60170069	E3D12T	.	.
FKV 100 55.4 T5 400Y/D	6,2	5,5	7,5	11,3	108320840	ED7,5T SD	60170047	E2D15T SD	60170051	E3D22,5T SD		
FKV 100 75.4 T5 400Y/D	8,3	7,5	10,0	14,3	108320840	ED7,5T SD	60170047	E2D15T SD	60170051	E3D22,5T SD		
FKC 65 22.2 T5 400D	2,5	2,2	3,0	4,8	108320350	ED2,5T	108320460	E2D5T	60115082	E3D7,5T	x	x
FKC 65 30.2 T5 400D	3,3	3,0	4,0	5,7	108320350	ED2,5T	108320460	E2D5T	60115082	E3D7,5T	x	x
FKC 80 15.4 T5 400D	1,8	1,5	2,0	3,8	108320340	ED1,5T	108320450	E2D3T	108330450	E3D4,5T	x	x
FKC 80 22.4 T5 400D	2,5	2,2	3,0	4,7	108320350	ED2,5T	108320460	E2D5T	60115082	E3D7,5T	x	x
FKC 80 30.4 T5 400D	3,5	3,0	4,0	8,0	60170054	ED4T	60170062	E2D8T	60170069	E3D12T	x	x
FKC 80 40.4 T5 400D	4,5	4,0	5,5	8,9	60170054	ED4T	60170062	E2D8T	60170069	E3D12T	x	x
FKC 80 55.4 T5 400Y/D	6,2	5,5	7,5	11,3	108320840	ED7,5T SD	60170047	E2D15T SD	60170051	E3D22,5T SD		
FKC 80 75.4 T5 400Y/D	8,3	7,5	10,0	14,3	108320840	ED7,5T SD	60170047	E2D15T SD	60170051	E3D22,5T SD		
FKC 100 15.4 T5 400D	1,8	1,5	2,0	3,8	108320340	ED1,5T	108320450	E2D3T	108330450	E3D4,5T	x	x
FKC 100 22.4 T5 400D	2,5	2,2	3,0	4,7	108320350	ED2,5T	108320460	E2D5T	60115082	E3D7,5T	x	x
FKC 100 30.4 T5 400D	3,5	3,0	4,0	8,0	60170054	ED4T	60170062	E2D8T	60170069	E3D12T	x	x
FKC 100 40.4 T5 400D	4,5	4,0	5,5	8,9	60170054	ED4T	60170062	E2D8T	60170069	E3D12T	x	x
FKC 100 55.4 T5 400Y/D	6,2	5,5	7,5	11,3	108320840	ED7,5T SD	60170047	E2D15T SD	60170051	E3D22,5T SD		
FKC 100 75.4 T5 400Y/D	8,3	7,5	10,0	14,3	108320840	ED7,5T SD	60170047	E2D15T SD	60170051	E3D22,5T SD		
FKC 150 40.4 T5 400D	4,5	4,0	5,5	8,9	60170054	ED4T	60170062	E2D8T	60170069	E3D12T	x	x
FKC 150 55.4 T5 400Y/D	6,2	5,5	7,5	11,3	108320840	ED7,5T SD	60170047	E2D15T SD	60170051	E3D22,5T SD		
FKC 150 75.4 T5 400Y/D	8,3	7,5	10,0	14,3	108320840	ED7,5T SD	60170047	E2D15T SD	60170051	E3D22,5T SD		

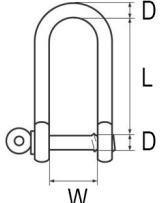
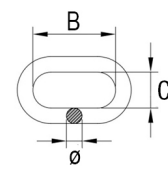



# ACCESSORIES

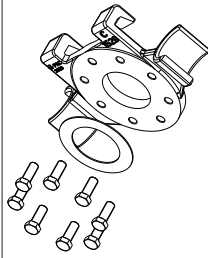
---


# ACCESSORIES

## SUBMERSIBLE PUMPS

DESCRIPTION	GENERAL FEATURES	FKV FKC 65	FKV FKC 80	FKC FKV 100	FKC 150	PACKAGING DIMENSION			WEIGHT Kg		
						150"	L/B	H			
 <p><b>KIT CHAIN W/SHACKLE 3MT A316 MAX 150KG</b></p>	- 2 schakles EN 13889:2009: AISI 316 - Chain 3mt: AISI 316 - MAX Load: 150 Kg	•				95	145	85	1		
										A	13
										B	20,5
										C	8
										D	6
										L	25
 <p><b>KIT CHAIN W/SHACKLE 3MT A316 MAX 700KG</b></p>	- 2 schakles EN 13889:2009: AISI 316 - Chain 3mt: AISI 316 - MAX Load: 700 Kg		•	•	•	130	175	90	4		
										A	25
										B	35
										C	14,5
										D	12
										L	47
Ø	8										

 <p><b>FLYGT COUPLING ADAPTER DN65</b></p>	- EN GJL250 - Screws M16x70 : INOX A2 - Two Component Coating	•				300	220	225	9,25	
		<b>FLYGT COUPLING ADAPTER DN80</b>		•			300	220	225	10,2
		<b>FLYGT COUPLING ADAPTER DN100</b>			•		330	240	245	15,6
		<b>FLYGT COUPLING ADAPTER DN150</b>				•	370	275	260	20,6

 <p><b>COUPLING SYSTEM ADAPTOR FK65 - FEKA2500</b></p>	- EN GJL200 - Screws M16x40 : INOX A2 - Water Painting	•				175	160	145	4	
		<b>COUPLING SYSTEM ADAPTOR FK80 - FEKA 3000</b>		•			430	250	310	5,8
		<b>COUPLING SYSTEM ADAPTOR FK100 - FEKA 4000</b>			•					8,3
		<b>COUPLING SYSTEM ADAPTOR FK 65 - FEKA 3000</b>		•						6,8
		<b>COUPLING SYSTEM ADAPTOR FK80 - FEKA 4000</b>			•					8,8
		<b>COUPLING SYSTEM ADAPTOR FK 150- FEKA 6000</b>				•				13,3

	DESCRIPTION	GENERAL FEATURES	DN			FKV FKC 65	FKV FKC 80	FKC FKV 100	FKC 150	150"	L/B	H	WEIGHT Kg
			PN	Threaded									
 <p><b>KIT FLANGE DN 65 PN16</b></p>	- Galvanized Steel - Screws M16x70	65	16	2" 1/2	•				200	200	70	4,3	
		<b>KIT FLANGE DN 80 PN16</b>	80	16	3"		•					4,9	
		<b>KIT FLANGE DN100 PN16</b>	100	16	4"			•		310	310	100	4,74



# DNA<sup>®</sup>

PUMPS SELECTOR



## On-line selection tool



**DAB PUMPS LTD.**

Unit 4 and 5, Stortford Hall Industrial Park,  
Dunmow Road,  
Bishops Stortford,  
Herts  
CM23 5GZ - UK  
salesuk@dwtgroup.com  
Tel. +44 1279 652 776  
Fax +44 1279 657 727



**DAB PUMPS IBERICA S.L.**

Avenida de Castilla nr.1 Local 14  
28830 - San Fernando De Henares - Madrid  
Spain  
info.spain@dwtgroup.com  
Tel. +34 91 6569545  
Fax: +34 91 6569676



**DAB PUMPS INC.**

3226 Benchmark Drive  
Ladson, SC 29456 - USA  
info.usa@dwtgroup.com  
Tel. 1-843-824-6332  
Toll Free 1-866-896-4DAB (4322)  
Fax 1-843-797-3366



**DAB PUMPS B.V.**

Brusselstraat 150  
B-1702 Groot-Bijgaarden - Belgium  
info.belgium@dwtgroup.com  
Tel. +32 2 4668353  
Fax +32 2 4669218



**DAB PRODUCTION HUNGARY KFT.**

H-8800  
Nagykanizsa, Buda Ernő u.5  
Hungary  
Tel. +36 93501700



**DWT SOUTH AFRICA**

Podium at Menlyn,  
3rd Floor, Unit 3001b, 43 Ingersol Road,  
C/O Lois and Atterbury street,  
Menlyn, Pretoria, 0181 - South-Africa  
info.sa@dwtgroup.com  
Tel. +27 12 361 3997  
Fax +27 12 361 3137



**DAB PUMPS B.V.**

Albert Einsteinweg, 4  
5151 DL Drunen - Nederland  
info.netherlands@dwtgroup.com  
Tel. +31 416 387280  
Fax +31 416 387299



**DAB PUMPS POLAND Sp. z o.o.**

Mokotow Marynarska  
ul. Postępu 15C  
02-676 Warszawa - Poland  
Tel. +48 223 81 6085



**DAB PUMPS CHINA**

No.40 Kaituo Road, Qingdao Economic & Technological  
Development Zone  
Qingdao City, Shandong Province - China  
PC: 266500  
info.china@dwtgroup.com  
Tel. +8653286812030-6270  
Fax +8653286812210



**DAB UKRAINE Representative Office**

Regus Horizon Park  
4 M. Hrinchenka St, suit 147  
03680 Kiev - Ukraine  
Tel. +38 044 391 59 43



**DAB PUMPEN DEUTSCHLAND GmbH**

Tackweg 11  
D - 47918 Tönisvorst - Germany  
info.germany@dwtgroup.com  
Tel. +49 2151 82136-0  
Fax +49 2151 82136-36



**OOO DAB PUMPS**

Novgorodskaya str. 1, block G  
office 308, 127247, Moscow - Russia  
info.russia@dwtgroup.com  
Tel. +7 495 122 0035  
Fax +7 495 122 0036



**DAB PUMPS DE MÉXICO, S.A. DE C.V.**

Av Gral Álvaro Obregón 270, oficina 355  
Hipódromo, Cuauhtémoc 06100  
México, D.F.  
Tel. +52 55 6719 0493