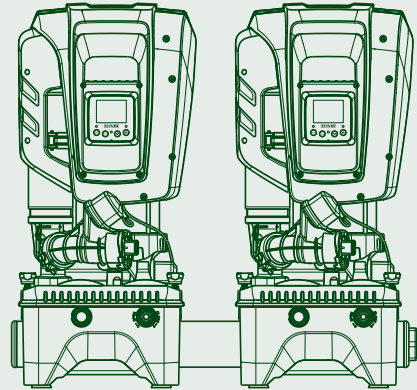
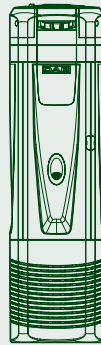
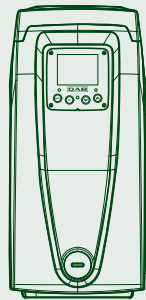
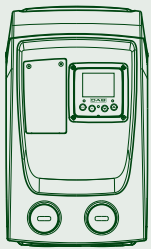


ESYBOX LINE



TECHNICAL CATALOGUE



www.imq.it

CISQ is a member of



www.ionet-certification.com

IONet, the association of the world's first class certification bodies, is the largest provider of management system certification in the world. IONet is composed of more than 30 bodies and counts over 330 subsidiaries all over the globe.

CERTIFICATO N. 9101.COGE
CERTIFICATE N. 9101.COGE

SI CERTIFICA CHE IL SISTEMA DI GESTIONE PER LA QUALITÀ DI
WE HEREBY CERTIFY THAT THE QUALITY MANAGEMENT SYSTEM OPERATED BY

DWT HOLDING SPA
VIA MARCO POLO 14 - 35035 MESTRINO (PD)

UNITÀ OPERATIVE / OPERATIVE UNITS

Vedere gli Allegati per le Unità Operative (n° 6 pagine)
View the Annexes for the Operative Units (n° 6 pages)

E CONFORME ALLA NORMA / IS IN COMPLIANCE WITH THE STANDARD
ISO 9001:2015

PER LE SEGUENTI ATTIVITÀ / FOR THE FOLLOWING ACTIVITIES

Progettazione, produzione, commercializzazione e assistenza di pompe, elettropompe, gruppi di pompaggio e sistemi elettronici di controllo per acqua fredda, calda ad uso civile, industriale ed agricolo e relativi componenti ed accessori
Design, production, sale and assistance of pumps, electric pumps, pumping units and electronic control systems for cold and hot water, for residential, industrial and agriculture use including components and accessories

Ulteriori informazioni riguardanti l'applicabilità dei requisiti ISO 9001:2015 possono essere ottenute consultando l'organizzazione
Further clarifications regarding the applicability of ISO 9001:2015 requirements may be obtained by consulting the organization

IL PRESENTE CERTIFICATO È SOGGETTO AL RISPETTO DEL
REGOLAMENTO PER LA CERTIFICAZIONE DEI SISTEMI DI GESTIONE
THE USE AND THE VALIDITY OF THE CERTIFICATE SHALL SATISFY THE
REQUIREMENTS OF THE RULES FOR CERTIFICATION OF MANAGEMENT SYSTEMS

DATE:	PRIMA CERTIFICAZIONE FIRST CERTIFICATION	EMISSIONE CORRENTE CURRENT ISSUE	SCADENZA EXPIRY
	1995-07-17	2021-05-11	2024-05-27


IMQ S.p.A. - VIA QUINTILIANO, 43 - 20138 MILANO ITALY
Management Systems Division - Flavio Omaggio



SGQ N° 005 A

Il presente documento integra il certificato n. 9101.COGE
This document is a part of certificate n. 9101.COGE


IAF: 18, 19, 29

La certezza del certificato è subordinata a sorveglianza annuale e rinnovo completo del sistema di gestione con periodicità triennale.
The validity of the certificate is subject to annual audit and a re-assessment of the entire management system certification every three years.




www.cisq.com

CISQ è la Federazione Nazionale di Organismi di Certificazione dei Sistemi di Gestione Aziendale.
CISQ is the Italian Federation of management system Certification Bodies.



www.imq.it

CISQ is a member of



www.ionet-certification.com

IONet, the association of the world's first class certification bodies, is the largest provider of management system certification in the world. IONet is composed of more than 30 bodies and counts over 330 subsidiaries all over the globe.

ALLEGATO N. 9101.COGE-1
ANNEX N.

DWT HOLDING SPA
VIA MARCO POLO 14 - 35035 MESTRINO (PD)
DAB PUMPS SPA
VIA MARCO POLO 14 - 35035 MESTRINO (PD)

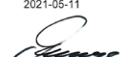
Attività:
Activities:


Progettazione, produzione, commercializzazione e assistenza di pompe, elettropompe, gruppi di pompaggio e sistemi elettronici di controllo per acqua fredda, calda ad uso civile, industriale ed agricolo e relativi componenti ed accessori
Design, production, sale and assistance of pumps, electric pumps, pumping units and electronic control systems for cold and hot water, for residential, industrial and agriculture use including components and accessories

IL PRESENTE ALLEGATO HA LO SCOPO DI ESPlicitARE LE ATTIVITÀ SVOLTE PRESSO IL SINGOLO SITO/UNITÀ OPERATIVA NELL'AMBITO DELLA CERTIFICAZIONE DEL SISTEMA DI GESTIONE RIFERIBILE A DWT HOLDING SPA
THE AIM OF PRESENT ANNEX IS TO EXPLAIN THE ACTIVITIES PERFORMED IN EACH SITE/OPERATIVE UNIT OF THE MANAGEMENT SYSTEM CERTIFICATION ISSUED TO DWT HOLDING SPA

PER LA VALIDITÀ RIFERIRSI AL CERTIFICATO N. 9101.COGE
FOR THE VALIDITY PLEASE REFER TO CERTIFICATE N. 9101.COGE

DATE:	PRIMA CERTIFICAZIONE FIRST CERTIFICATION	EMISSIONE CORRENTE CURRENT ISSUE	SCADENZA EXPIRY
	1995-07-17	2021-05-11	2024-05-27


IMQ S.p.A. - VIA QUINTILIANO, 43 - 20138 MILANO ITALY
Management Systems Division - Flavio Omaggio





SGQ N° 005 A

Il presente documento integra il certificato n. 9101.COGE
This document is a part of certificate n. 9101.COGE

IAF: 18, 19, 29

La certezza del certificato è subordinata a sorveglianza annuale e rinnovo completo del sistema di gestione con periodicità triennale.
The validity of the certificate is subject to annual audit and a re-assessment of the entire management system certification every three years.

www.cisq.com

CISQ è la Federazione Nazionale di Organismi di Certificazione dei Sistemi di Gestione Aziendale.
CISQ is the Italian Federation of management system Certification Bodies.



SCAN HERE
For more information.

ESYBOX LINE



ESYBOX MINI 3

PAGE 8



2 ESYBOX WITH ESYTWIN

PAGE 15



ESYBOX

PAGE 10



ESYBOX MAX

PAGE 17



ESYBOX DIVER

PAGE 12

DCONNECT



DCONNECT DIGITAL SERVICES

PAGE 22



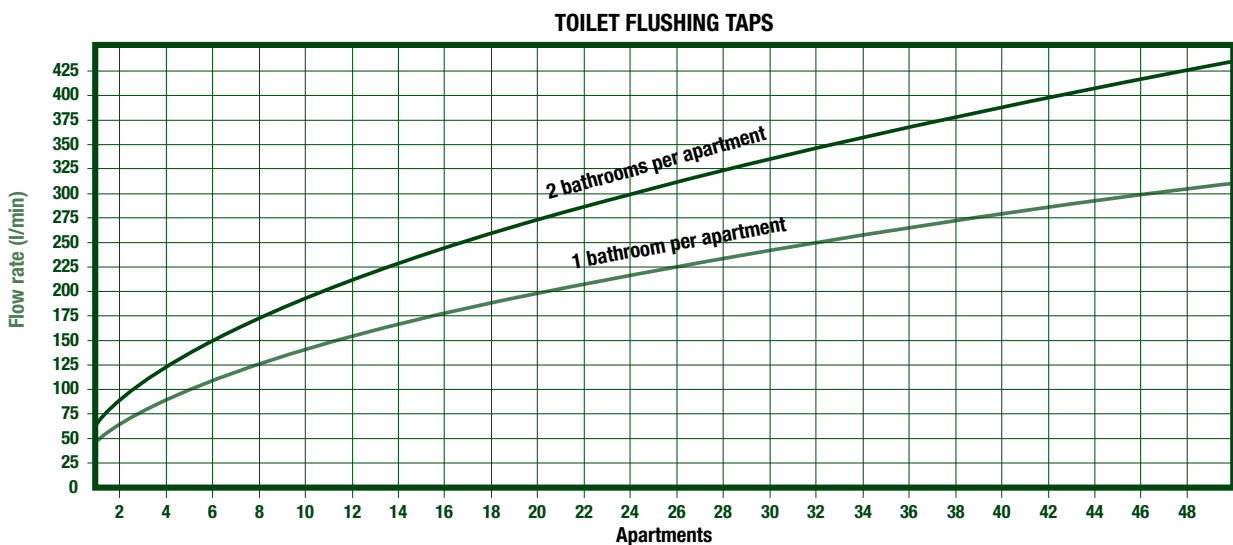
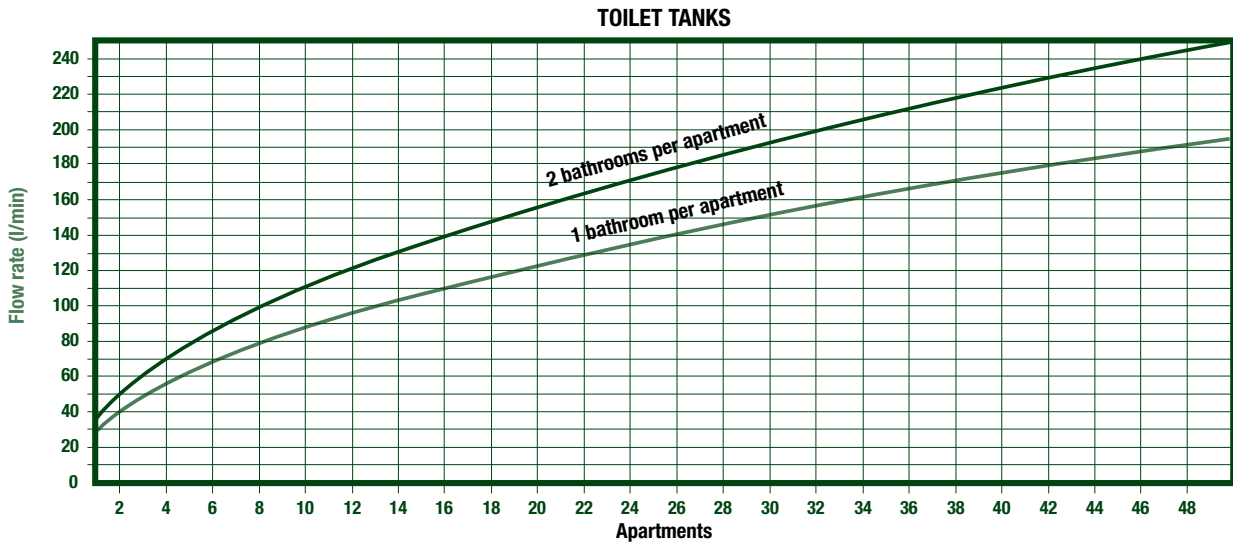
ACCESSORIES

PAGE 27

WHICH ESYBOX DO YOU NEED? FOLLOW THESE STEPS:

1 CALCULATION OF THE FLOW RATE

Flow rate curves in relation to the number of apartments



2 CALCULATION OF THE HEAD

$$\text{Head [m]} = 3,6 \cdot \# \text{ floors} + 20 \text{ m}$$





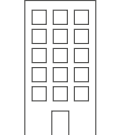

3,6: assuming a height per floor of 3 metres + pressure losses due to friction in the pipes equal to 20% of the total height of the building.

20 m: pressure required by the most disadvantaged user (2 bar).

The suction pressure is not taken into account as the standards prohibit direct connection of the aqueduct to the pump.

To this value must be added the pressure losses due to the devices installed in the system (softeners, boilers, ...).

EXAMPLE OF SIZING

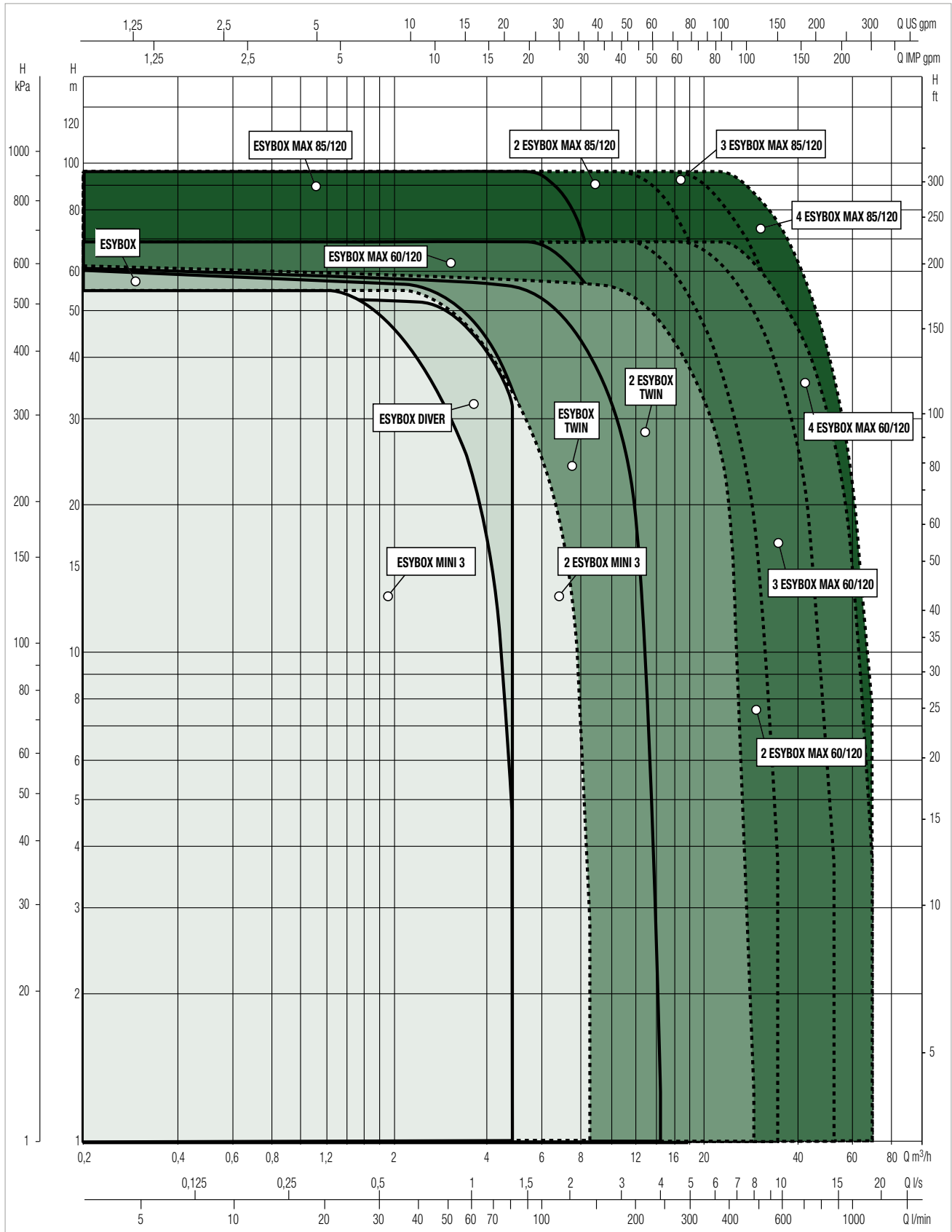
EXAMPLE	CALCULATION	CHOICE
<p>2 APARTMENTS EACH WITH 2 BATHROOMS 2 FLOORS</p> 	<p>Flow rate required = 51 l/min Head required = $3,6 \cdot 2 + 20 = 28$ m</p>	<p>esybox mini³</p> 
<p>5 APARTMENTS EACH WITH 2 BATHROOMS 3 FLOORS</p> 	<p>Flow rate required = 79 l/min Head required = $3,6 \cdot 3 + 20 = 31$ m</p>	<p>esybox</p> 
<p>15 APARTMENTS EACH WITH 2 BATHROOMS 6 FLOORS</p> 	<p>Flow rate required = 136 l/min Head required = $3,6 \cdot 6 + 20 = 42$ m</p>	<p>esybox max</p> 

WARNING: the calculations and tables shown on these pages are based on our experience and can never replace the calculations made by a qualified technician: they are therefore only intended to give a general, non-binding indication for planning purposes.

PERFORMANCE RANGE

The performance curves are based on kinematic viscosity values = 1 mm²/s and density equivalent to 1000 kg/m³. Curve tolerance according to ISO 9906.

GRAPHIC SELECTION TABLE



ESYBOX LINE

ELECTRONIC PRESSURISATION SYSTEMS

ESYBOX MINI ³

MODEL	Q=m ³ /h	0	0,6	1,2	1,8	2,4	3	3,6	4,2	4,8	5,4	6	6,6	7,2
	Q=l/min	0	10	20	30	40	50	60	70	80	90	100	110	120
ESYBOX MINI ³	H (m)	55	55	55	49	39	31	23	14	4				

MODEL	Q=m ³ /h	0	1,2	2,4	3,6	4,8	6	7,2	8,4	9,6	10,8	12	13,2	14,4
	Q=l/min	0	20	40	60	80	100	120	140	160	180	200	120	140
2 X ESYBOX MINI ³	H (m)	55	55	54	45	34	26	16	6					

ESYBOX

MODEL	Q=m ³ /h	0	0,6	1,2	1,8	2,4	3	3,6	4,2	4,8	5,4	6	6,6	7,2
	Q=l/min	0	10	20	30	40	50	60	70	80	90	100	110	120
ESYBOX	H (m)	65	63,5	61,5	59,5	57	53	48	41,5	35	27,5	19	10	2

ESYBOX DIVER

MODEL	Q=m ³ /h	0	0,6	1,2	1,8	2,4	3	3,6	4,2	4,8	5,4	6	6,6	7,2
	Q=l/min	0	10	20	30	40	50	60	70	80	90	100	110	120
ESYBOX DIVER	H (m)	55	55	55	55	55	55	53	44	34	26	17	7,5	

2 ESYBOX WITH ESYTWIN

MODEL	Q=m ³ /h	0	1,2	2,4	3,6	4,8	6,0	7,2	8,4	9,6	10,8	12	13,2	14,4
	Q=l/min	0	20	40	60	80	100	120	140	160	180	200	220	240
2 ESYBOX WITH ESYTWIN	H (m)	65	63,5	61,5	59,5	57	53	48	41,5	35	27,5	19	10	2

MODEL	Q=m ³ /h	0	2,4	4,8	7,2	9,6	12	14,4	16,8	19,2	21,6	24	26,4	28,8
	Q=l/min	0	40	80	120	160	200	240	280	320	360	400	440	480
2 X 2 ESYBOX WITH ESYTWIN	H (m)	65	63,5	61,5	59,5	57	53	48	41,5	35	27,5	19	10	2

ESYBOX MAX

MODEL	Q=m ³ /h	0,012	2,4	3,6	4,8	6	7,2	8,4	9	9,6	10,8	11,4	14,4	17,4
	Q=l/min	0,2	40	60	80	100	120	140	150	160	180	190	240	290
ESYBOX MAX 60/120 M	H (mt)	69	69	69	69	69	61	53	50	46,5	40,5	37,2	21	3,9
ESYBOX MAX 60/120 T		69	69	69	69	69	61	53	50	46,5	40,5	37,2	21	3,9
ESYBOX MAX 85/120 T		96	96	96	96	96	84	75	71	65,0	56,7	51,6	29	9

MODEL	Q=m ³ /h	0,024	4,8	7,2	9,6	12	14,4	16,8	18	19,2	21,6	22,8	28,8	34,8
	Q=l/min	0,4	80	120	160	200	240	280	300	320	360	380	480	580
2 ESYBOX MAX 60/120 M	H (mt)	69	69	69	69	69	61	53	50	46,5	40,5	37,2	21	3,9
2 ESYBOX MAX 60/120 T		69	69	69	69	69	61	53	50	46,5	40,5	37,2	21	3,9
2 ESYBOX MAX 85/120 T		96	96	96	96	96	84	75	71	65,0	56,7	51,6	29	9

MODEL	Q=m ³ /h	0,036	7,2	10,8	14,4	18	21,6	25,2	27	28,8	32,4	34,2	43,2	52,2
	Q=l/min	0,6	120	180	240	300	360	420	450	480	540	570	720	870
3 ESYBOX MAX 60/120 M	H (mt)	69	69	69	69	69	61	53	50	46,5	40,5	37,2	21	3,9
3 ESYBOX MAX 60/120 T		69	69	69	69	69	61	53	50	46,5	40,5	37,2	21	3,9
3 ESYBOX MAX 85/120 T		96	96	96	96	96	84	75	71	65,0	56,7	51,6	29	9

MODEL	Q=m ³ /h	0,048	9,6	14,4	19,2	24	28,8	33,6	36	38,4	43,2	45,6	57,6	69,6
	Q=l/min	0,8	160	240	320	400	480	560	600	640	720	760	960	1160
4 ESYBOX MAX 60/120 M	H (mt)	69	69	69	69	69	61	53	50	46,5	40,5	37,2	21	3,9
4 ESYBOX MAX 60/120 T		69	69	69	69	69	61	53	50	46,5	40,5	37,2	21	3,9
4 ESYBOX MAX 85/120 T		96	96	96	96	96	84	75	71	65,0	56,7	51,6	29	9

ESYBOX MINI 3

ELECTRONIC PRESSURISATION SYSTEM



Dconnect APP
(For Installer)



DAB Live APP
(For end user)



TECHNICAL DATA

Flow rate: 4,8 m³/h

Head: 55 m

Type of pumped liquid: Clean, free from solid or abrasive substances, non-viscous, non-aggressive, non-crystallized and chemically neutral

Liquid temperature:

From +0°C to +35°C for domestic use

From +0°C to +40°C for other use

Maximum ambient temperature: +50°C

Maximum suction depth: 8 m

Maximum operation pressure: 7,5 bar / 750 kPa

Motor protection class: IP X4

Motor insulation class: F

Impeller material: Technopolymer

Single phase power input: 230 V 50 Hz

Power cord (m) and plug: 1,5 meter with power plug

Type of installation: Fixed, vertically, horizontally or on the wall with special accessories

Certification: WRAS, ACS, NFS

Electronic self-priming multi-impeller pressurization system for domestic pressurization, rainwater reuse, ground water, gardening and irrigation and for watering small gardens in residential building service. **It is possible to create groups of max two pumps.** It supports both the app DConnect for installer and the app DAB live! for the end user.

CONSTRUCTION FEATURES OF THE PUMP

Self-priming multi-impeller pump. Protective hull in sound-absorbing ABS.

Technopolymer impellers. Motor shaft in stainless steel. Non-return valve and integrated expansion vessel.

CONSTRUCTION FEATURES OF THE MOTOR

Motor cooled by pumped liquid, stainless steel motor jacket. Complete with power cable and plug.

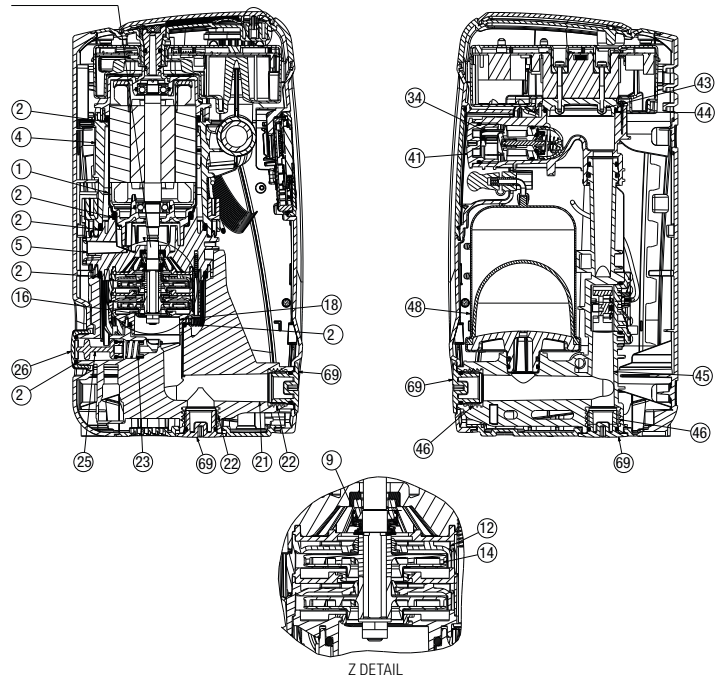
CONSTRUCTION FEATURES OF THE ELECTRONIC

Adjustable display. The variable frequency drive function saves energy and protects against water hammer. Guided procedure for the first start-up, easy configuration, possibility to view the alarm history.

MATERIALS

N°	PARTS	MATERIALS
1	MOTOR SLEEVE	STAINLESS STEEL AISI 304
2	O-RING	NBR
4	MOTOR BODY	PP OMO 30% FV
5	MECHANICAL SEAL DISC	PA 6.6 30% FV
9	MECHANICAL SEAL	CARBON IMPREGNATED RESIN / CERAMIC / NBR
12	DIFFUSER	NORYL
14	IMPELLER	NORYL
21	SUCTION BODY	PP OMO 30% FV
22	1" INSERT	BRASS
23	SHUTTER SPRING	STAINLESS STEEL AISI 303
25	SELFPRIMING SHUTTER	POM
26	1" PLUG	PP OMO 30% FV
34	NON RETURN VALVE	TECHNOPOLYMER/RUBBER/STEEL
41	1" 1/4 PLUG	PA 6.6 30% FV
43	HEAT SINK	BRASS
45	DELIVERY BODY	PP OMO 30% FV
46	1" INSERT	BRASS
48	1 L TANK	TECHNOPOLYMER/RUBBER
51	FLOWMETER WHEEL	POM
56	PRESSURE SENSOR BODY	TECHNOPOLYMER
69	1" PLUG	PA 6.6 30% FV

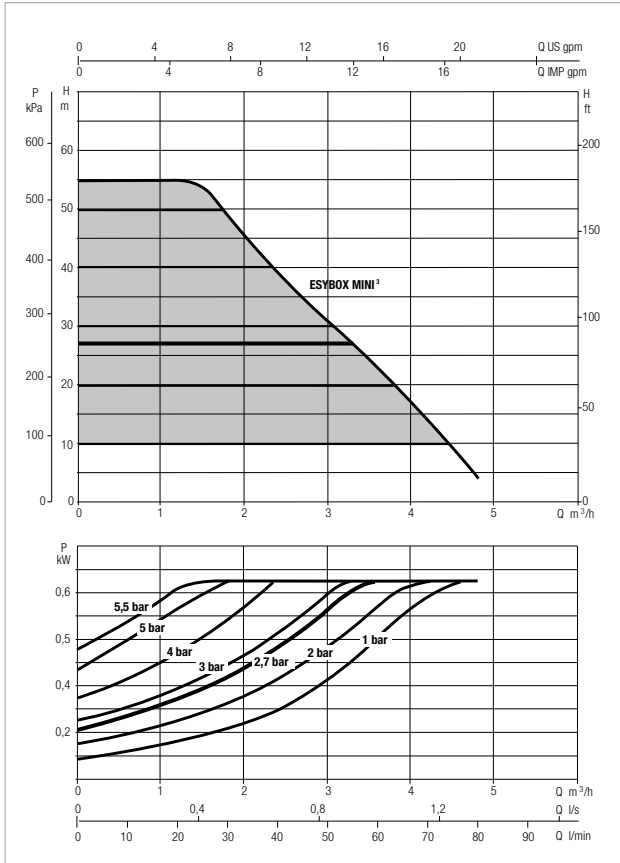
SEE Z DETAIL



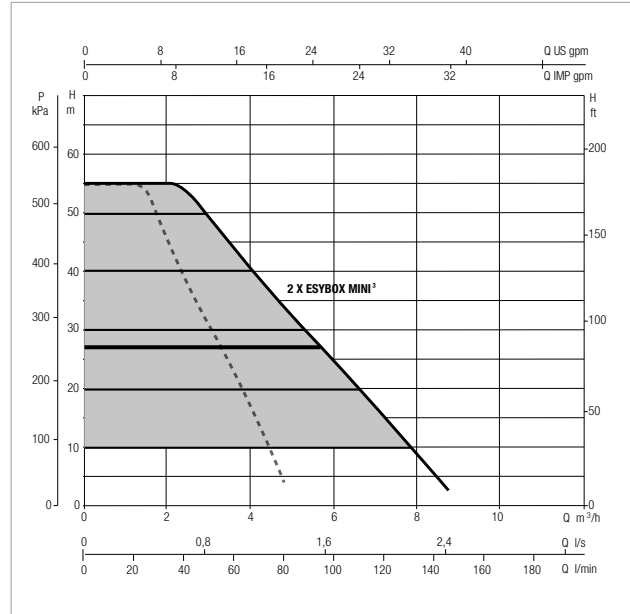
ESYBOX MINI³ - ELECTRONIC PRESSURISATION SYSTEM

Liquid temperature range: from 0°C a +35°C for domestic use - from 0°C a +40°C for other uses.

Maximum ambient temperature: +50°C.



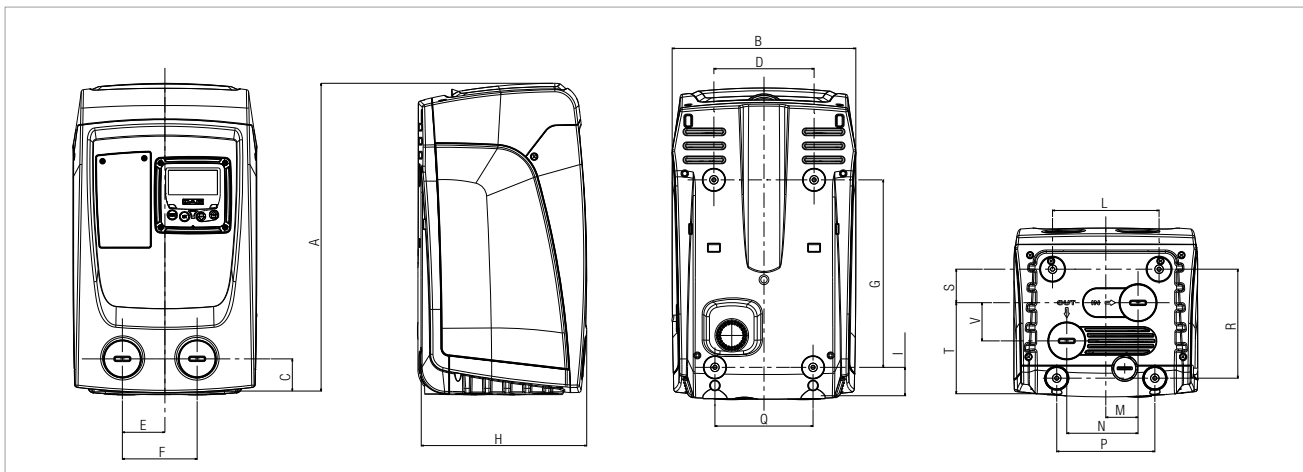
The performance curves are based on the kinematic viscosity values = 1 mm²/s and density equivalent to 1000 kg/m³. Curve tolerance according to ISO 9906



The performance curves are based on the kinematic viscosity values = 1 mm²/s and density equivalent to 1000 kg/m³. Curve tolerance according to ISO 9906.

MODEL	N° IMPELLER	POWER INPUT 50/60 Hz	ELECTRICAL DATA		I _n A
			P1 MAX		
			KW	HP	
ESYBOX MINI ³	3	1x220-240V ~	0,85	1,1	4,8
ESYBOX MINI ³ KIWA	3	1x220-240V ~	0,85	1,1	4,8

MODEL	A	B	C	D	E	F	G	H	I	L	M	N	P	Q	R	S	T	V	DNA	DNM	PACKING DIMENSIONS			WEIGHT Kg
																					L/A	L/B	H	
ESYBOX MINI ³	439	263	46	143	60,7	106,7	279,5	236	40,5	152	46	101,7	140	140	155,5	47,8	133	54,5	1"	1"	300	500	320	14,6
ESYBOX MINI ³ KIWA	439	263	46	143	60,7	106,7	279,5	236	40,5	152	46	101,7	140	140	155,5	47,8	133	54,5	1"	1"	300	500	320	14,6





TECHNICAL DATA

- Flow rate:** Up to a 7,2 m³/h
- Head:** 65 m
- Type of pumped liquid:** Clean, free from solid or abrasive substances, non-viscous, non-aggressive, non-crystallized and chemically neutral
- Liquid temperature:** +40°C
- Maximum ambient temperature:** +50°C
- Maximum suction depth:** 8 m
- Maximum operation pressure:** 8 bar / 800 kPa
- Motor protection class:** IP X4
- Motor insulation class:** F
- Impeller material:** Technopolymer
- Single phase power input:** 230 V 50 Hz
- Power cord (m) and plug:** 1,5 meters with power plug
- Type of installation:** Fixed, vertically, horizontally or on the wall with special accessories
- Certification:** WRAS, ACS

Multi-impeller self-priming electronic system for pressurization, rainwater reuse, drawing ground water, gardening and irrigation and agriculture and irrigation in residential building service and commercial building service. Possibility to connect up to four Esybox together to create pressure units. Adjustable display. Possibility of remote control thanks to the DConnect service (with DConnect Box supplied separately). The careful choice of materials and the water-cooled motor make the pump particularly quiet, just 43 dB, suitable for installation even in living areas. Can be positioned vertically, horizontally or on the wall with special accessories (supplied separately).

CONSTRUCTION FEATURES OF THE PUMP

Self-priming multi-impeller pump. 2-liter expansion vessel incorporated. Protective hull in sound-absorbing ABS. Technopolymer impellers. Integrated flow and pressure sensors.

CONSTRUCTION FEATURES OF THE MOTOR

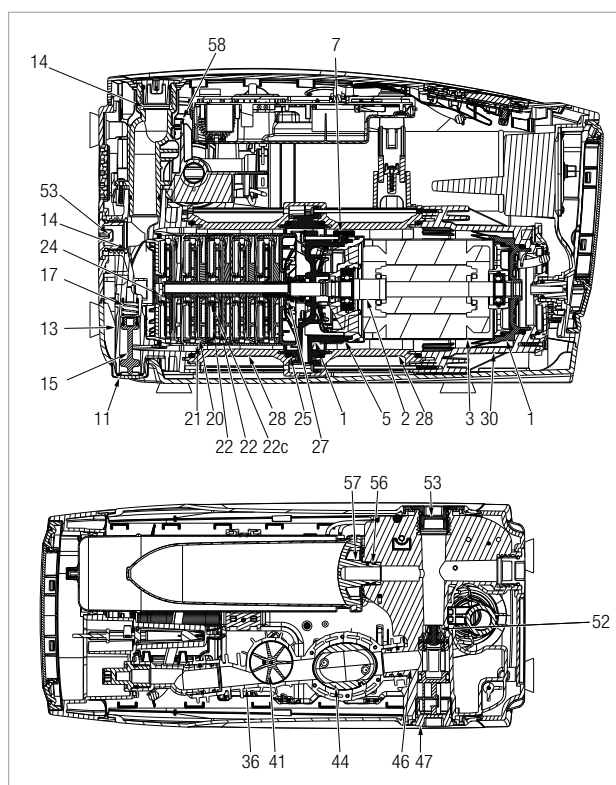
Motor cooled by the pumped liquid, stainless steel motor jacket. Motor shaft in AISI 303 stainless steel.

CONSTRUCTION FEATURES OF THE ELECTRONIC

Adjustable display. The variable frequency drive function saves energy and protects against water hammer. Integrated protections: protection from dry running, amperometric and anomalous voltages, overtemperature, frost, anti-blocking and anti-cycling. Construction according to CEI 2-3 / CEI 61-69 (EN 60335-2-41). Guided procedure for the first start-up, easy configuration, possibility to display the alarm history. Wireless connection.

MATERIALS

N°	PARTS *	MATERIALS
1	MOTOR FLANGE	TECHNOPOLYMER
2	ROTOR SHAFT	AISI 303 STAINLESS STEEL
3	MOTOR JACKET	AISI 304 STAINLESS STEEL
5	OR GASKET	NBR
7	SINTERED PLATE	AISI 304 STAINLESS STEEL
11	1" PLUG	TECHNOPOLYMER
13	SUCTION BODY	TECHNOPOLYMER
14	1" INSERT	NICKLED BRASS
15	SHUTTER	TECHNOPOLYMER
17	SPRING	AISI 303 STAINLESS STEEL
20	DIFFUSER	TECHNOPOLYMER
21	DIFFUSER BODY	TECHNOPOLYMER
22	IMPELLER	TECHNOPOLYMER
22c	SHIM RING	AISI 316 STAINLESS STEEL
24	NUT	AISI 316 STAINLESS STEEL
25	DIFFUSER END PLUG	TECHNOPOLYMER
27	MECHANICAL SEAL	CARBON IMPREGNATED RESIN / SILICON CARBIDE / EPDM
28	PUMP BODY	TECHNOPOLYMER
30	DISCHARGE BODY	TECHNOPOLYMER
36	FLOW SWITCH BODY	TECHNOPOLYMER
41	PRESS. STABLE. IMPELLER	TECHNOPOLYMER
46	DISCHARGE MANIFOLD	TECHNOPOLYMER
47	1" 1/4 PLUG	TECHNOPOLYMER
52	NON-RETURN VALVE	TECHNOPOLYMER / RUBBER / STEEL
57	TANK	TECHNOPOLYMER / RUBBER
58/1	PRESSURE SENSOR BODY	TECHNOPOLYMER

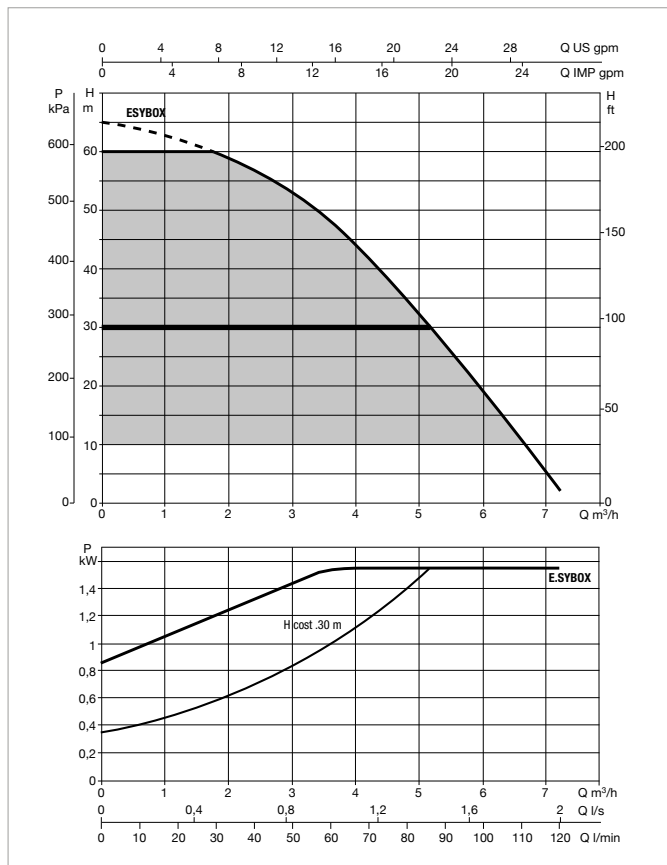


* In contact with liquid

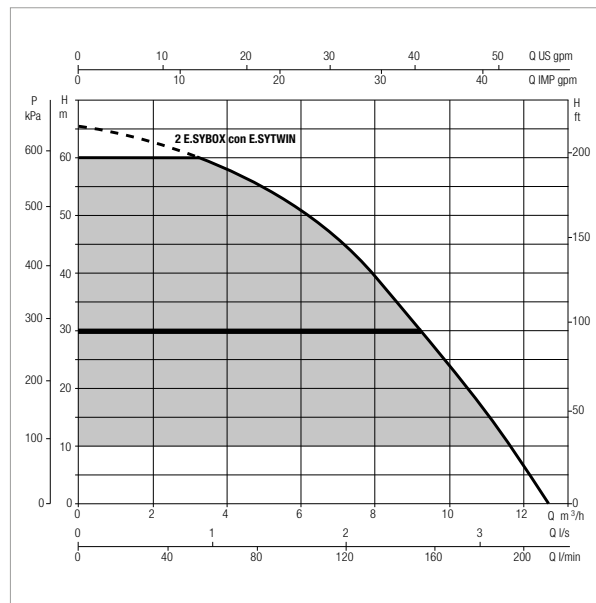
ESYBOX - ELECTRONIC PRESSURISATION SYSTEM

Liquid temperature range: from 0°C to +35°C for domestic use - from 0°C to +40°C for other uses.

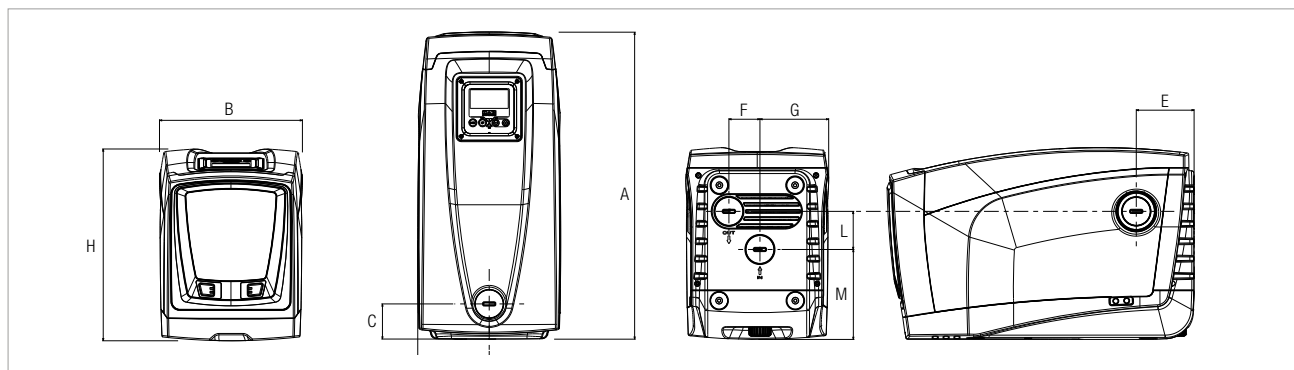
Maximum ambient temperature: +50°C.



The performance curves are based on the kinematic viscosity values = 1 mm²/s and density equivalent to 1000 kg/m³. Curve tolerance according to ISO 9906.



The performance curves are based on the kinematic viscosity values = 1 mm²/s and density equivalent to 1000 kg/m³. Curve tolerance according to ISO 9906.



MODEL	ELECTRICAL DATA				
	N° IMPELLER	POWER SUPPLY 50/60 Hz	P1 MAX		In A
			kW	HP	
ESYBOX	5	1 x 220 - 240V ~	1.55	2.11	10
ESYBOX - KIWA	5	1x220-240V ~	1.55	2,1	10

MODEL	A	B	C	D	E	F	G	I Ø	H	L	M	DNA	DNM	PACKING DIMENSIONS			GROSS Kg
														L/A	L/B	H	
ESYBOX	564	263	65	131.5	106	57	126.2	9	362	70	165.2	1"	1"	685	360	490	27
ESYBOX - KIWA	564	263	65	131,5	106	57	126,2	9	362	70	165,2	1"	1"	685	360	490	27

ESYBOX DIVER

7" ELECTRONIC MULTISTAGE SUBMERSIBLE PUMPS WITH INVERTER

D+CONNECT



TECHNICAL DATA

Flow rate maximum: 7,2 m³/h

Head up to: 55 m

Maximum immersion depth: 12 m standard version

Type of pumped liquid: Water Clean, free from solid or abrasive substances, non-viscous, non-aggressive, non-crystallized and chemically neutral

Free passage: 2 mm

Minimum suction depth: 110 mm

Minimum level of water: 35 mm

Liquid temperature range: from 0°C to +55°C

Minimum and maximum ambient temperature: <0°C / +50°C

Maximum immersion depth: 15 m

Adjustable constant pressure: pre-set 3 bar, adjustable from 1 to 5,5 bar

Outlet connection: Threated 1" 1/4

Pump maximum diameter: 185 mm

Impeller/s material:

Technopolymer with ring impeller in AISI 304 stainless steel

Maximum number of starts: 60/h

Protection class: IP 68

Non-stop service: yes

Motor insulation class: F

Power cable (m) and plug: 15 m with plug

Single phase power input: 230 V 50 Hz / 60 Hz

Possible type of installation: Fixed, horizontal or vertical. Submerged or semi-submerged. It can be installed on the surface, with positive suction, in a vertical position with the DOC68 accessory (supplied separately).

Special versions on request:

X version with suction kit for suction at a higher level.

Version for drinking water WRAS, ACS, NSF.

Surface version (the DOC68 accessory is required).

Certification:

WRAS, ACS, NSF (only model for drinking water) are pending approval.

7" multi-stage electronic pump with variable speed drive for clean water designed for use in wells, cisterns or tanks. The pump can be used submerged, partially submerged or on the surface (with the appropriate accessory). It is suitable for pressurization, reuse of rainwater, gardening activities and irrigation in residential building service. The pump can also be installed horizontally. Equipped with PLC (PowerLine Communication) and Wi-Fi technology. DConnect Box 2 supplied as standard. There is an X version with 1" union and kit X which includes 1 meter suction pipe and float to prevent the suction of impurities from the bottom. The entire pump is IP 68 certified. With the DOC68 accessory (supplied separately) the pump becomes an IP 68 surface pump to be used in positive suction. Certified version for drinking water available on request.

CONSTRUCTION FEATURES OF THE PUMP

Technopolymer pump body to resist corrosion and oxidation. Integrated non-return valve. Integrated debris filter. Overpressure valve, in case of completely submerged installation, with the freezing of the water in the external pipes, the valve prevents the damage to the pump. On the pump body there is an air-vent valve that improves priming during the first installation or in the event of emptying the tank/well, and a stainless steel handle to move the pump. Integrated 0,04 liter expansion vessel sized to prevent the pump from cycling in the event of small leaks and to compensate for water hammer. No maintenance or recharging is required. The coupling between the three impellers in technopolymer, the floating ring and the smoothing disc both in stainless steel allow a limited wear of the hydraulics and a more precise alignment of the components. Suction height can be adjusted using the appropriate accessory (included): 3,5, 4, 6 or 8 cm.

CONSTRUCTION FEATURES OF THE MOTOR

High efficiency Permanent Magnet submersible motor cooled by the pumped liquid. hydraulic side of the motor shaft in AISI 303 stainless steel. Double mechanical seal in oil chamber where the seal on the motor side is subjected only to submersible pressure (1 bar), while the other side is subjected to operating pressure (up to 5,5 bar) ensuring that the pump is watertight. Electronically protected motor. Quick coupling/release cable to facilitate installation inside tanks or cisterns. Tear-off power cable connection.

FEATURES OF THE ELECTRONIC

The electronic operation allows the pump to start and stop autonomously Variable speed drive for operation according to the system requirements. Working pressure adjustable from 1 to 5,5 bar and protects against dry running. NFC (Near Field Communication) pocket for the use of a float sensor (supplied separately) which can be connected without opening the pump maintaining a watertight seal. Thanks to the PLC communication technology, the pump transmits data through the power cable to the DConnect Box 2.

DCONNECT BOX 2

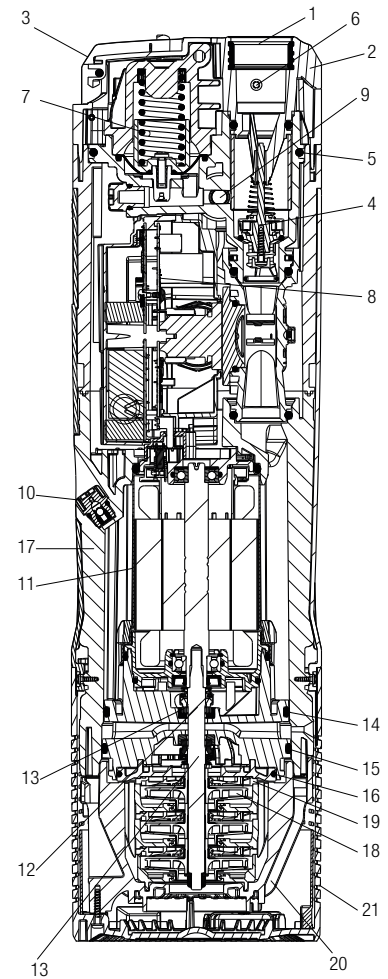
Thanks to the DConnect Box 2 and the DConnect app it is possible to check and manage the system pressure, alarms and the amount of residual water in the tank directly from your smartphone or tablet. DConnect Box 2 supplied as standard.

ESYBOX DIVER

7" ELECTRONIC MULTISTAGE SUBMERSIBLE PUMPS WITH INVERTER

MATERIALS

N°	PARTS	MATERIALS
1	INSERT	BRASS
2	COVER	TECHNOPOLYMER
3	HANDLE	AISI 304
4	CHECK VALVE	TECHNOPOLYMER/NBR/FERRITE/AISI302
5	O-RING	NBR
6	OVERPRESSURE VALVE	TECHNOPOLYMER/BRASS
7	VESSEL WITH SPRING AND MEMBRANE	TECHNOPOLYMER/AISI304/EPDM70
8	PCB	--
9	PRESSURE SENSOR	TECHNOPOLYMER
10	VENTING VALVE	TECHNOPOLYMER/AISI420/NBR
11	MOTOR SLEEVE	AISI 304
12	MOTOR SHAFT	AISI 303
13	DOUBLE MECHANICAL SEALS	RESIN IMPREGNATED CARBON/AISI304/AISI302/NBR
14	O-RING	NBR
15	O-RING	NBR
16	O-RING	NBR
17	MOTOR BODY	TECHNOPOLYMER
18	IMPELLER	TECHNOPOLYMER/AISI304
19	DIFFUSER	TECHNOPOLYMER
20	PUMP BODY	TECHNOPOLYMER
21	FILTER	TECHNOPOLYMER



ESYBOX DIVER

7" ELECTRONIC MULTISTAGE SUBMERSIBLE PUMPS WITH INVERTER

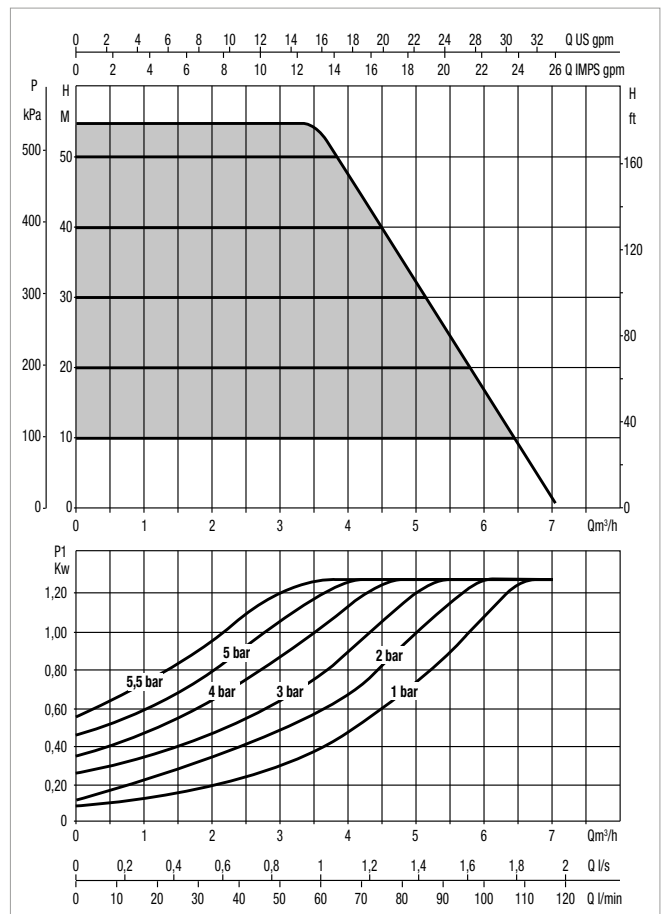
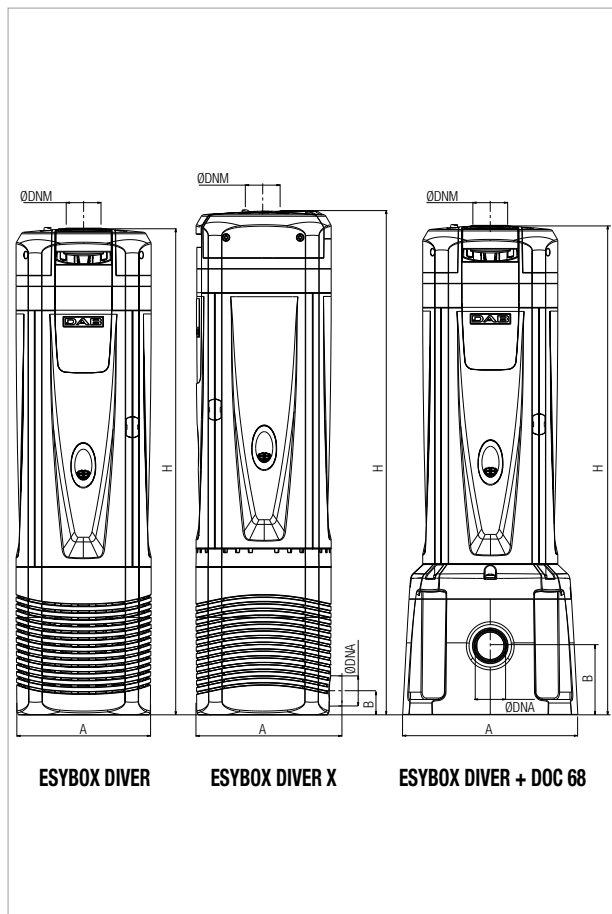
PERFORMANCE AT 50 HZ

MODEL	ELECTR. DATA		HYDRAULIC DATA													
	P2 NOMINAL		Q=m³/h	0	0,6	1,2	1,8	2,4	3	3,6	4,2	4,8	5,4	6	6,6	7,2
	kW	HP	Q=l/min	0	10	20	30	40	50	60	70	80	90	100	110	120
ESYBOX DIVER	0,95	1,3	H (mt)	55	55	55	55	55	55	53	44	34	26	17	7,5	
ESYBOX DIVER X	0,95	1,3		55	55	55	55	55	55	53	44	34	26	17	7,5	
ESYBOX DIVER + DOC 68	0,95	1,3		55	55	55	55	55	55	53	44	34	26	17	7,5	

ELECTRICAL DATA AND DIMENSIONS

MODEL	ELECTRICAL DATA					A	B	H	Ø DNM	DNA	PACKING DIMENSIONS			PACKING VOLUME m³	Q.TY X PALLET	WEIGHT kg
	POWER INPUT 50 Hz	P1 kW	P2 NOMINAL		In A						L/A	L/B	H			
			kW	HP												
ESYBOX DIVER	1 x 220-240 V ~	1,3	0,95	1,3	5,5	185	-	651	1" 1/4	-	740	230	300	0,05106	15	17
ESYBOX DIVER X	1 x 220-240 V ~	1,3	0,95	1,3	5,5	195	32	676	1" 1/4	1"	780	230	300	0,0538	15	17
ESYBOX DIVER + DOC 68	1 x 220-240 V ~	1,3	0,95	1,3	5,5	235	92	658	1" 1/4	1" 1/4	382*	306*	178*	0,0208*	30*	3*

*Data referred to the DOC68 accessory only



The performance curves are based on kinematic viscosity values = 1 mm²/s and density equivalent to 1000 kg/m³. Curve tolerance according to ISO 9906.

2 ESYBOX WITH ESYTWIN

ELECTRONIC BOOSTER UNIT



TECHNICAL DATA

Flow rate: from 0 m³/h to 14,4 m³/h

Head: 65 m

Type of pumped liquid: Clean, free of solid or abrasive substances, non-viscous, non-aggressive, non-crystallized and chemically neutral

Liquid temperature range: from 0°C to +40°C

Maximum ambient temperature: +50°C

Maximum operation pressure: 8 bar / 800 kPa

Impeller/s material: Technopolymer

Protection class: IP X4

Motor insulation class: F

Single phase power input: 230 V 50 Hz

Booster unit for use in residential building service and commercial building service designed for pressurization, lifting water from underground (self priming pump up to 8 meter), gardening and irrigation tasks. Possibility of remote control thanks to the DConnect service (DConnect Box supplied separately).

CONSTRUCTION FEATURES OF THE PUMP

Equipped with 1 "1/4 suction and delivery. Suction and delivery can be on both sides to make the connection to the pipes as easy as possible. The pump is self-priming multi-impeller with integrated 2-liter expansion tank. Protective cases in sound-absorbing ABS which together with other measures, it reduces noise to 43 dB. Technopolymer impellers. Self-priming up to 8 meters.

CONSTRUCTION FEATURES OF THE MOTOR

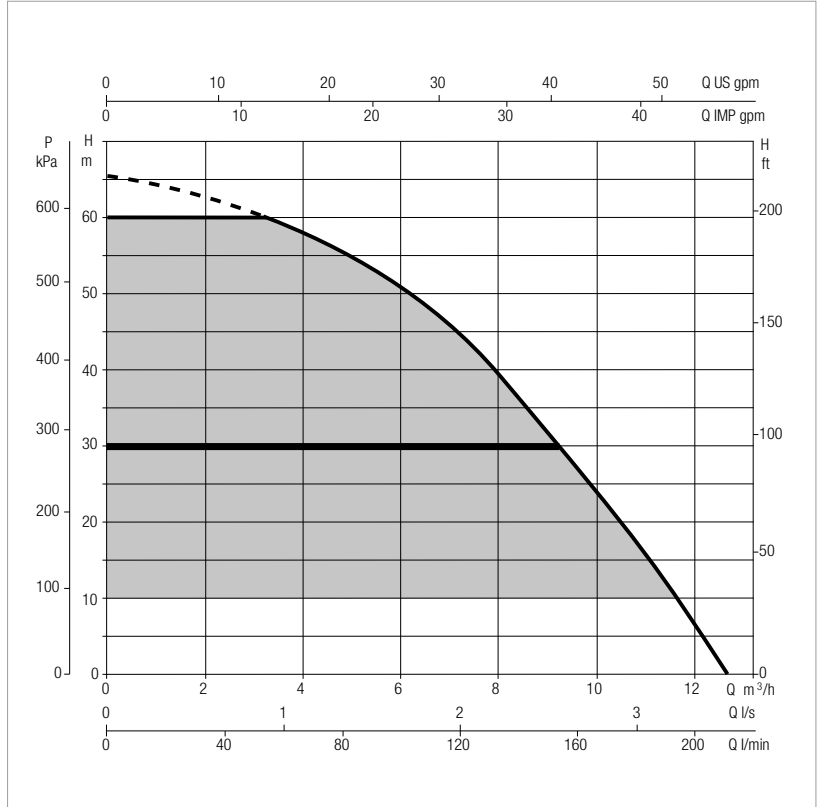
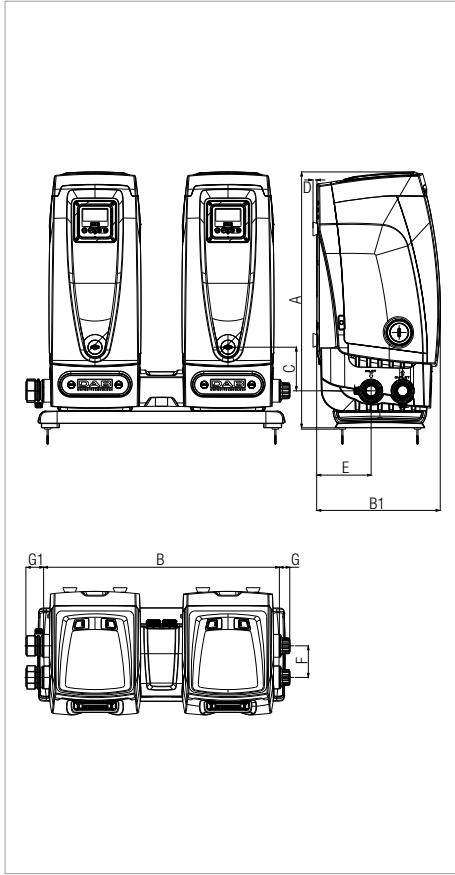
Motor cooled by the pumped liquid, motor shaft in AISI 303 stainless steel.

CONSTRUCTION FEATURES OF THE ELECTRONIC

Adjustable display adaptable to the installation position. The variable frequency drive function allows energy savings and water hammer protection. Wizard for the first start and possibility to view the alarm history. Unit easy to set up. It is also equipped with a wireless connection.

2 ESYBOX WITH ESYTWIN - ELECTRONIC BOOSTER UNIT

Liquid temperature range: from 0°C to +40°C - Maximum ambient temperature: +50°C - Maximum flow rate: 14,4 m³/h.



Performance refers to 2 assembled Esybox in Esytwin.
Pressure losses included.

MODEL	ELECTRICAL DATA				
	N° IMPELLER	POWER SUPPLY 50/60 Hz	P1 MAX		In A
			kW	HP	
2 ESYBOX + ESYTWIN	-	1x220-240 V ~	2 x 1,55	2 x 2,1	2 x 10,0

MODEL	A	B	B1	C	D	E	F	G	G1	DNA GAS	DNM GAS	PACKING DIMENSIONS			VOLUME m³	WEIGHT kg
												L/A	L/B	H		
2 ESYBOX + ESYTWIN	729	672	351	124	11	155	90	30	50.5	1" 1/4	1" 1/4	720	1200	620	0,53	66



TECHNICAL DATA

Flow rate: up to 17,4 m³/h (For single unit)

Head: up to 96 m

Type of pumped liquid: clean, free from solid or abrasive substances, non-viscous, non-aggressive, non-crystallized and chemically neutral

Liquid temperature: +50°C

Maximum ambient temperature: +55°C

Maximum inlet pressure: 5 bar

Operation pressure: 12 bar / 1200 kPa

Maximum differential pressure: 9,4 bar (85/120); 6,7 bar (60/120)

Constant pressure range: 1-12 bar (3 bar by default)

Maximum suction height: 4 m (with bottom valve)

Motor protection class: IP X5

Motor insulation class: F

Impeller material: technopolymer with steel wear rings

Single phase power input: 208-240V 50/60Hz

Three phase power input: 380-480V 50/60Hz

Type of installation: fixed in vertical position

Certification: WRAS, ACS, NSF61

Integrated pumping system for pressurization in commercial building service. Available in two power sizes, it consists of modular elements that allow different configurations to cover the needs of medium/large condominiums and high buildings (even over 14 floors).

Each unit consists of the single, double or triple connection base and the pumping units; a four-pumps system is available with the additional kit to connect two double bases.

The modular construction allows to assemble the pumping groups directly at the installation site (O.S.A. - On Site Assembly).

The silence and compactness of dimensions allow installation in all rooms, even inhabited.

CONSTRUCTION FEATURES OF THE PUMP

Electronic vertical multi-impeller pump, with display, pressure sensors on intake and delivery, non-return valve on delivery and an integrated expansion tank. Technopolymer pump body, technopolymer impeller with steel wear rings, steel jacket.

CONSTRUCTION FEATURES OF THE MOTOR

Water-cooled permanent magnet motor, stainless steel motor jacket. Motor shaft in AISI 303 stainless steel. The efficiency is comparable to the IE5 efficiency class (according to internal laboratory tests).

CONSTRUCTION FEATURES OF THE ELECTRONIC

The variable frequency drive keeps the pressure constant by varying the number of motor revolutions according to the request.

There is a large display for the configuration and control.

The expansion module (Esy I/O, available as an accessory) makes it possible to interface Esybox max with the other elements of the system (B.M.S. - Building Management System).

Integrated protections: protection from dry running, amperometric and abnormal voltages, overheating, freezing, anti-blocking and anti-cycling.

DCONNECT

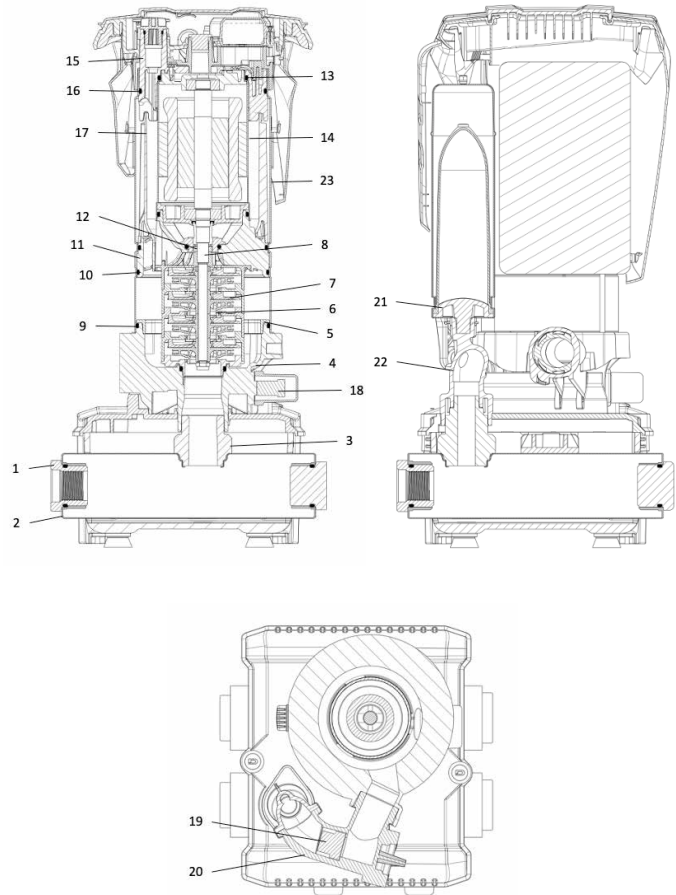
It is possible to configure and view the operating parameters on the large Esybox Max display or thanks to the DConnect app and the integrated Wi-Fi module, it is possible to do it remotely with an active DConnect service (an Internet connection is required).

From a smartphone or a tablet it is possible to control and manage system pressure, alarms and check the instantaneous and historical consumption.

With DSynC technology, the user experience of Esybox Max is simplified. Using their smartphone or tablet, the installer interfaces with the pump that automatically detects the language, the time and the unit of measurement used in the Country of installation. In the case of a booster set, once the installation of the first pump is completed, the Esybox Max automatically synchronizes the other pumps. The DSynC also allows you to connect the pump to the outside world, through the Modbus protocol.

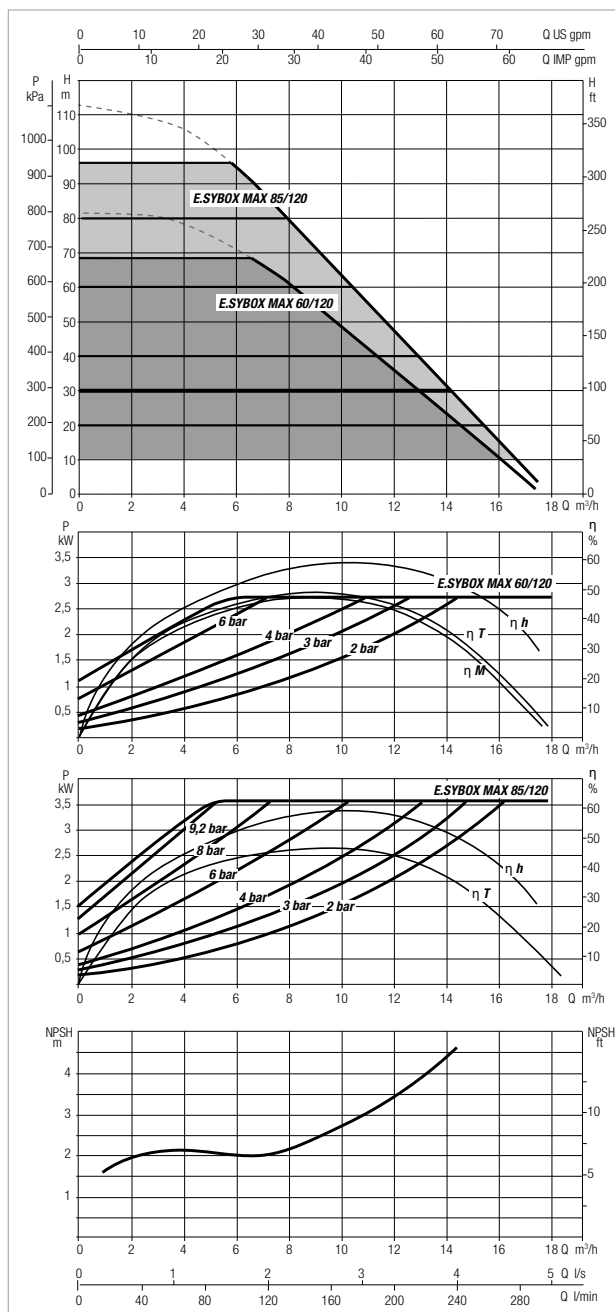
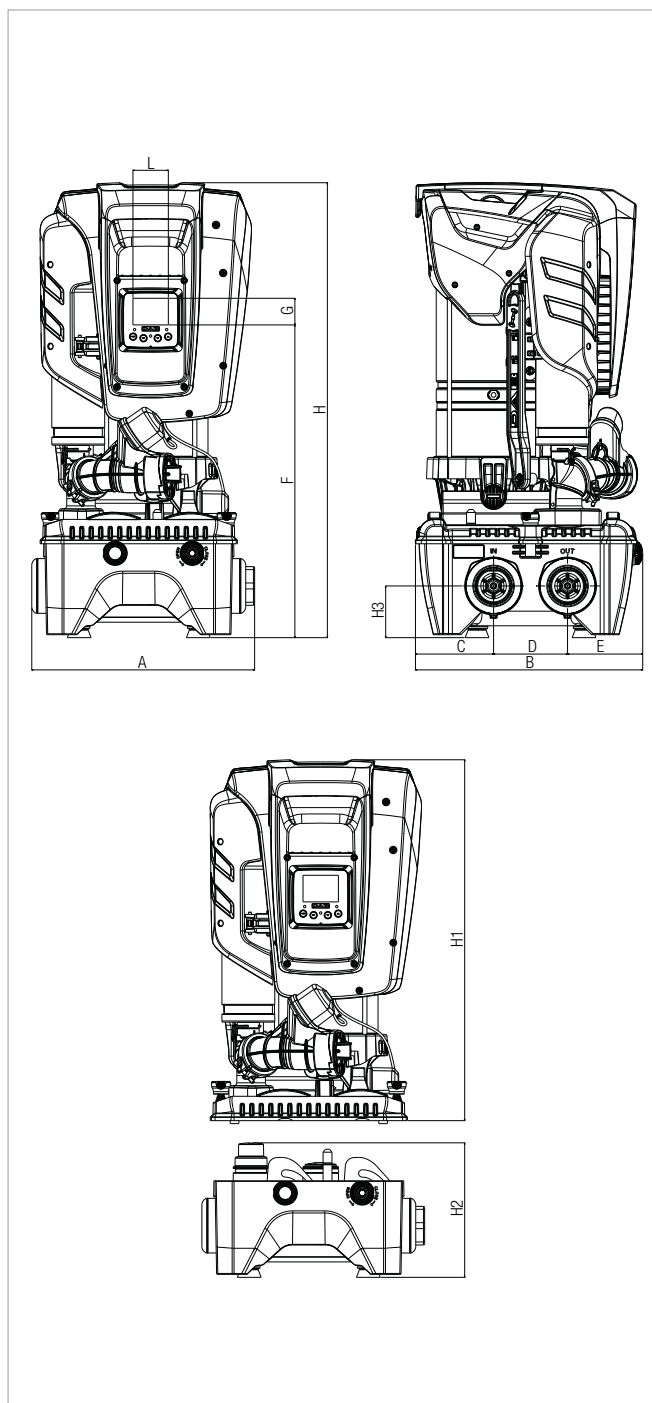
MATERIALS

N°	PARTS	MATERIALS
1	FITTING	TECHNOPOLYMER PA66 30%GF
2	MANIFOLD	AISI 304 STEEL
3	FLANGE	TECHNOPOLYMER PA66 30%GF
4	PUMP BODY	TECHNOPOLYMER PA66 30%GF
5	PUMP BODY RING	TECHNOPOLYMER PP 30%GF
6	IMPELLER	TECHNOPOLYMER PPO 30%GF / AISI 304 STEEL
7	DIFFUSER	TECHNOPOLYMER PPO 30%GF / AISI 304 STEEL
8	MOTOR SHAFT	AISI 303 STEEL
9	O-RING	EPDM
10	O-RING	EPDM
11	MOTOR FLANGE	TECHNOPOLYMER PA66 30%GF
12	MECHANICAL SEAL	CARBON IMPREGNATED RESIN / SILICON CARBIDE / EPDM
13	O-RING	EPDM
14	MOTOR LINER	AISI 304 STEEL
15	MOTOR BODY	TECHNOPOLYMER PA66 30%GF
16	O-RING	EPDM
17	CONVEYOR TUBE	TECHNOPOLYMER PP 30%GF
18	PRESSURE SENSOR	TECHNOPOLYMER NYLON / EPDM
19	NON RETURN VALVE	TECHNOPOLYMER POM / EPDM / AISI 302 STEEL
20	NON RETURN VALVE BODY	TECHNOPOLYMER PA66 30%GF
21	TANK	TECHNOPOLYMER NORYL / RUBBER
22	DELIVERY BODY	TECHNOPOLYMER PA66 30%GF
23	OUTER LINER	AISI 304 STEEL



ESYBOX MAX - ELECTRONIC BOOSTER SET

Liquid temperature: +50°C - Maximum ambient temperature: +55°C.



η_T : efficiency of three-phase version - η_M : efficiency of single-phase version
 η_h : hydraulic efficiency (pump + dock)

The performance curves are based on the kinematic viscosity values = 1 mm²/s and density equivalent to 1000 kg/m³. Curve tolerance according to ISO 9906.

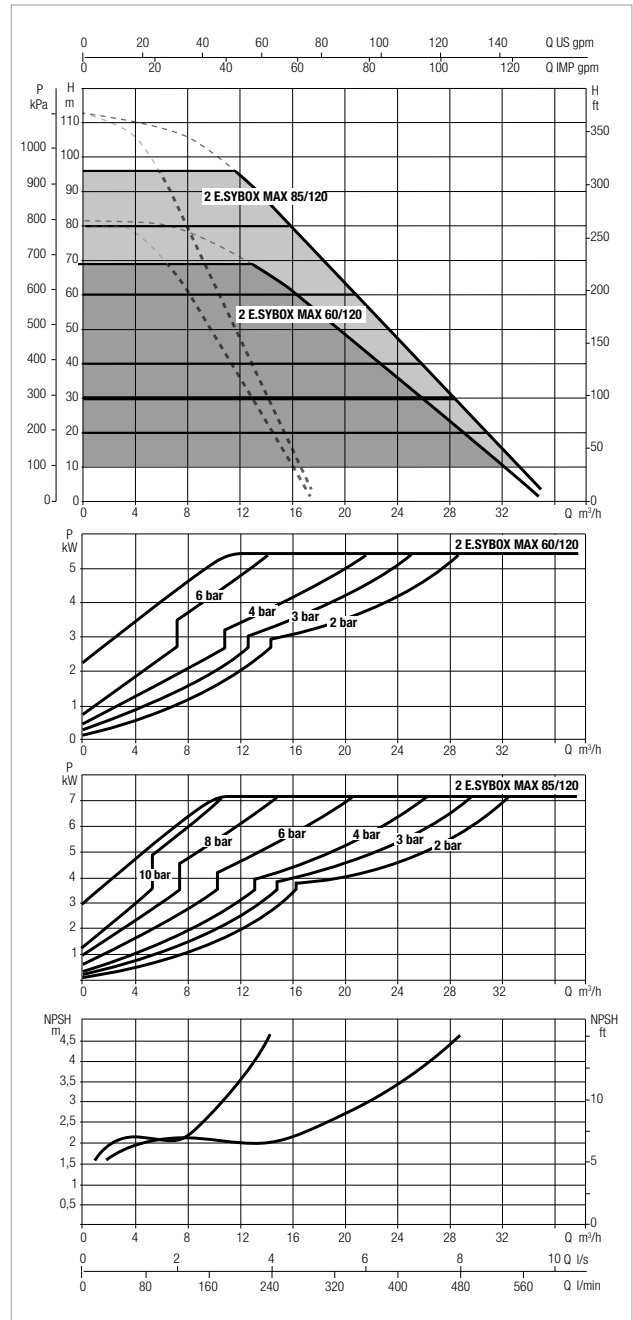
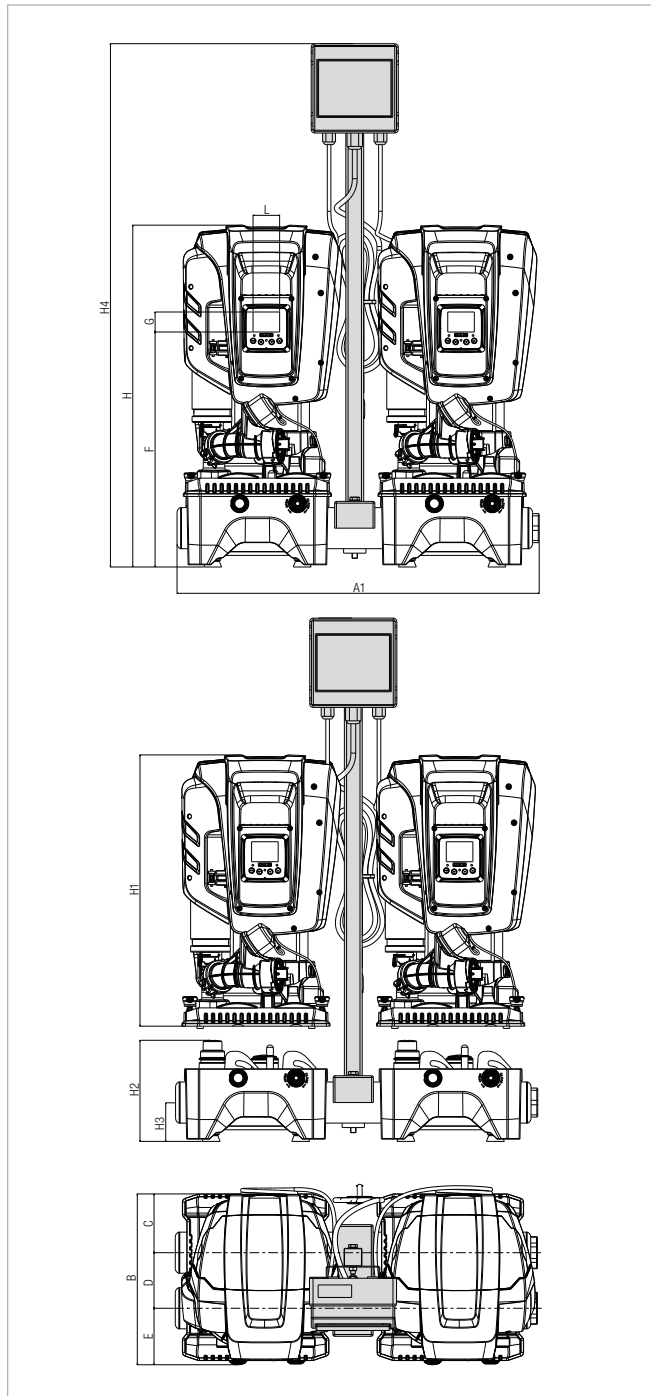
MODEL	ELECTRICAL DATA							
	N° IMPELLERS	POWER SUPPLY 50/60 Hz	P1 MAX		I _n A	DELTA P MAX		SET POINT
			kW	HP		H _{max} m.c.a.	bar	
ESYBOX MAX 60/120 M	3	1x208-240 V ~	2,68	3,6	12,5 - 11,5	69	6,7	1-12
ESYBOX MAX 60/120 T	3	3x380-480 V ~	2,65	3,5	4,4	69	6,7	1-12
ESYBOX MAX 85/120 T	4	3x380-480 V ~	3,50	4,7	5,6	96	9,4	1-12

MODEL	A	B	C	D	E	F	G	H	H1	H2	H3	L	DNA	DNM	PACKING DIMENSIONS*			WEIGHT* PUMP UNIT kg	PACKING DIMENSIONS DOCK			DOCK WEIGHT kg
															PUMP UNIT				DOCK			
															L/A	L/B	H		L/A	L/B	H	
ESYBOX MAX 60/120	375	384	131.8	124.5	127.7	526	45	766	613	228	87	59,5	1"1/4 - 2"	1"1/4 - 2"	400	380	800	29	400	400	250	9
ESYBOX MAX 85/120	375	384	131.8	124.5	127.7	526	45	766	613	228	87	59,5	1"1/4 - 2"	1"1/4 - 2"	400	380	800	30	400	400	250	9

* Weights and packaging dimensions refer to a pump unit

2 ESYBOX MAX - ELECTRONIC BOOSTER SET

Liquid temperature: +50°C - Maximum ambient temperature: +55°C.



The performance curves are based on the kinematic viscosity values = 1 mm²/s and density equivalent to 1000 kg/m³. Curve tolerance according to ISO 9906.
For the four-pump version, it is necessary to double the flow rate.

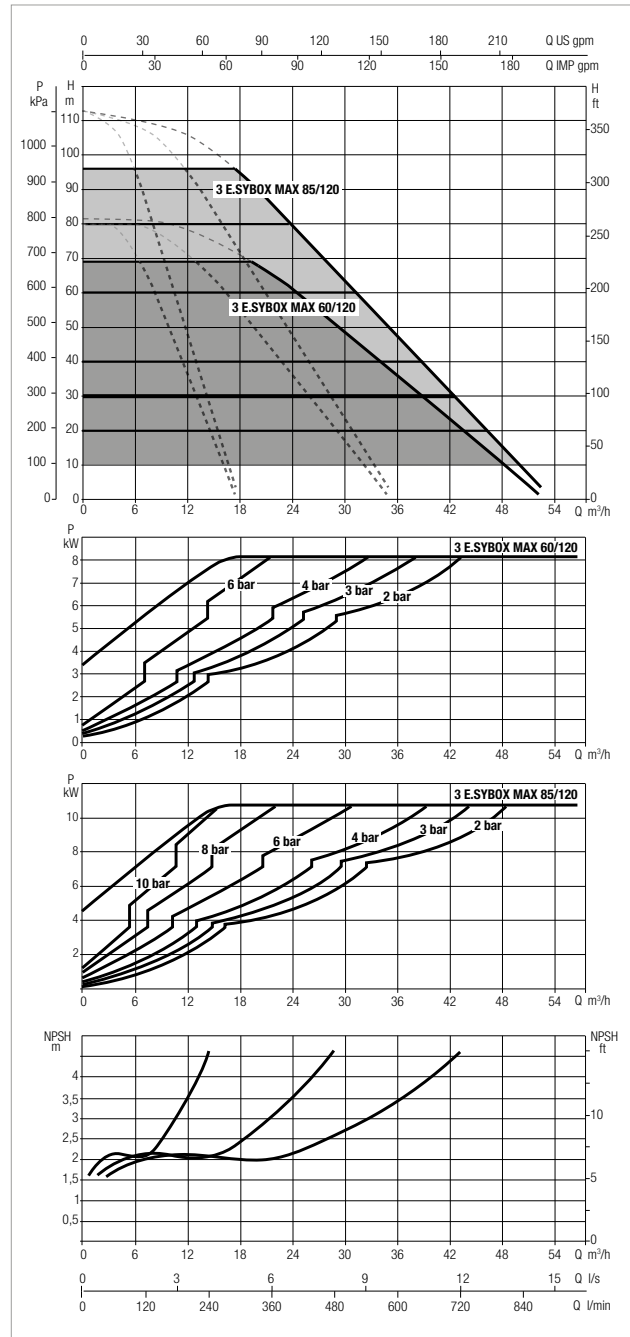
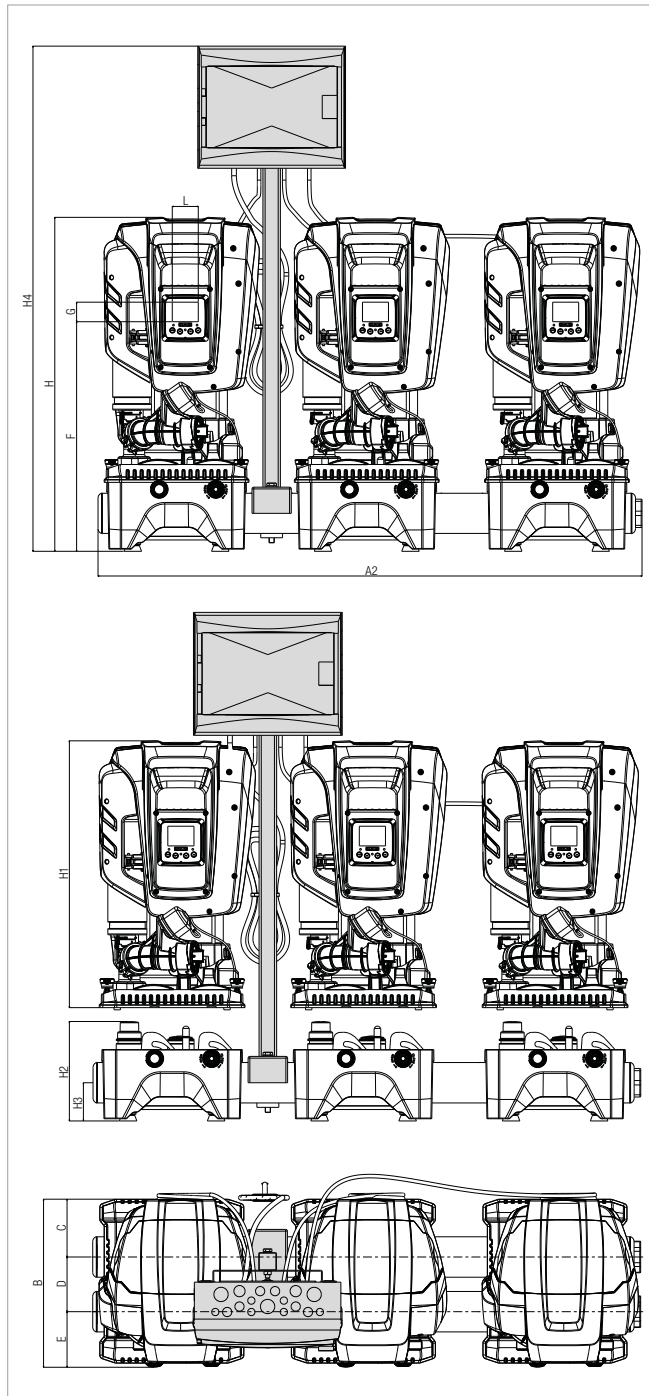
MODEL	ELECTRICAL DATA							
	N° IMPELLERS	POWER SUPPLY 50/60 Hz	P1 MAX		In A	DELTA P MAX		SET POINT
			kW	HP		Hmax m.c.a.	bar	
2 ESYBOX MAX 60/120 M	3	1x208-240 V ~	2,68	3,6	12,5 - 11,5	69	6,7	1-12
2 ESYBOX MAX 60/120 T	3	3x380-480 V ~	2,65	3,5	4,4	69	6,7	1-12
2 ESYBOX MAX 85/120 T	4	3x380-480 V ~	3,50	4,7	5,6	96	9,4	1-12

MODEL	A1	B	C	D	E	F	G	H	H1	H2	H3	H4**	L	DNA	DNM	PACKING DIMENSIONS*			WEIGHT* PUMP UNIT kg	PACKING DIMENSIONS DOCK			DOCK WEIGHT kg
																PUMP UNIT				DOCK			
																L/A	L/B	H	L/A	L/B	H		
2 ESYBOX MAX 60/120	811	384	131.8	124.5	127.7	526	45	766	613	228	87	1172	59.5	2"	2"	400	380	800	29	900	400	250	18
2 ESYBOX MAX 85/120	811	384	131.8	124.5	127.7	526	45	766	613	228	87	1172	59.5	2"	2"	400	380	800	30	900	400	250	18

* Weights and packaging dimensions refer to a pump unit **Control panel and Mounting bracket sold separately as optional accessories

3 ESYBOX MAX - ELECTRONIC BOOSTER SET

Liquid temperature: +50°C - Maximum ambient temperature: +55°C.



The performance curves are based on the kinematic viscosity values = 1 mm²/s and density equivalent to 1000 kg/m³. Curve tolerance according to ISO 9906.

MODEL	N° IMPELLERS	POWER SUPPLY 50/60 Hz	ELECTRICAL DATA					
			P1 MAX		In A	DELTA P MAX		SET POINT
			kW	HP		Hmax m.c.a.	bar	
3 ESYBOX MAX 60/120 M	3	1x208-240 V ~	2,68	3,6	12,5 - 11,5	69	6,7	1-12
3 ESYBOX MAX 60/120 T	3	3x380-480 V ~	2,65	3,5	4,4	69	6,7	1-12
3 ESYBOX MAX 85/120 T	4	3x380-480 V ~	3,50	4,7	5,6	96	9,4	1-12

MODEL	A2	B	C	D	E	F	G	H	H1	H2	H3	H4**	L	DNA	DNM	PACKING DIMENSIONS*			WEIGHT* PUMP UNIT kg	PACKING DIMENSIONS DOCK			DOCK WEIGHT kg
																PUMP UNIT				DOCK			
																L/A	L/B	H		L/A	L/B	H	
3 ESYBOX MAX 60/120	1250	384	131,8	124,5	127,7	526	45	766	613	228	87	1158	59,5	2"	2"	400	380	800	29	1250	400	250	27
3 ESYBOX MAX 85/120	1250	384	131,8	124,5	127,7	526	45	766	613	228	87	1158	59,5	2"	2"	400	380	800	30	1250	400	250	27

* Weights and packaging dimensions refer to a pump unit **Control panel and Mounting bracket sold separately as optional accessories

DCONNECT DIGITAL SERVICES

REMOTE CONTROL FOR ELECTRONIC RESIDENTIAL AND COMMERCIAL SYSTEMS

The D.Connect service offers simple and intuitive remote control of your installation, without the need of a server or specialist personnel.

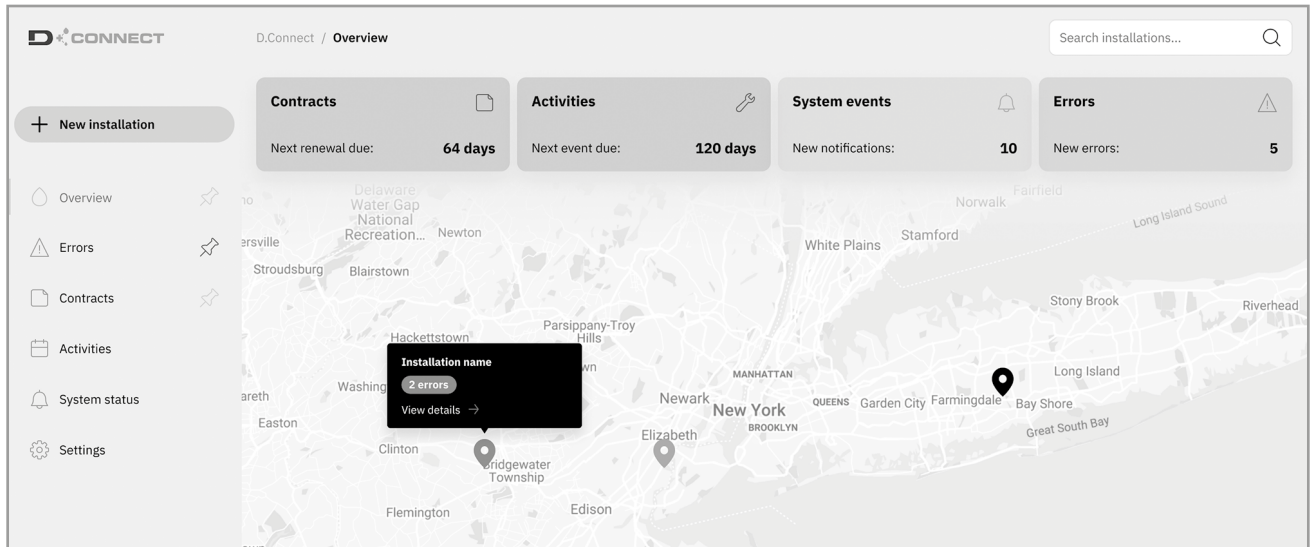
With D.Connect, you can remotely manage your installations as if you were right in front of them.

Thanks to the system operation charts, you will also be able to optimise operation. You will also receive prompt notifications of any system faults.

THE SERVICE ALLOWS TO:

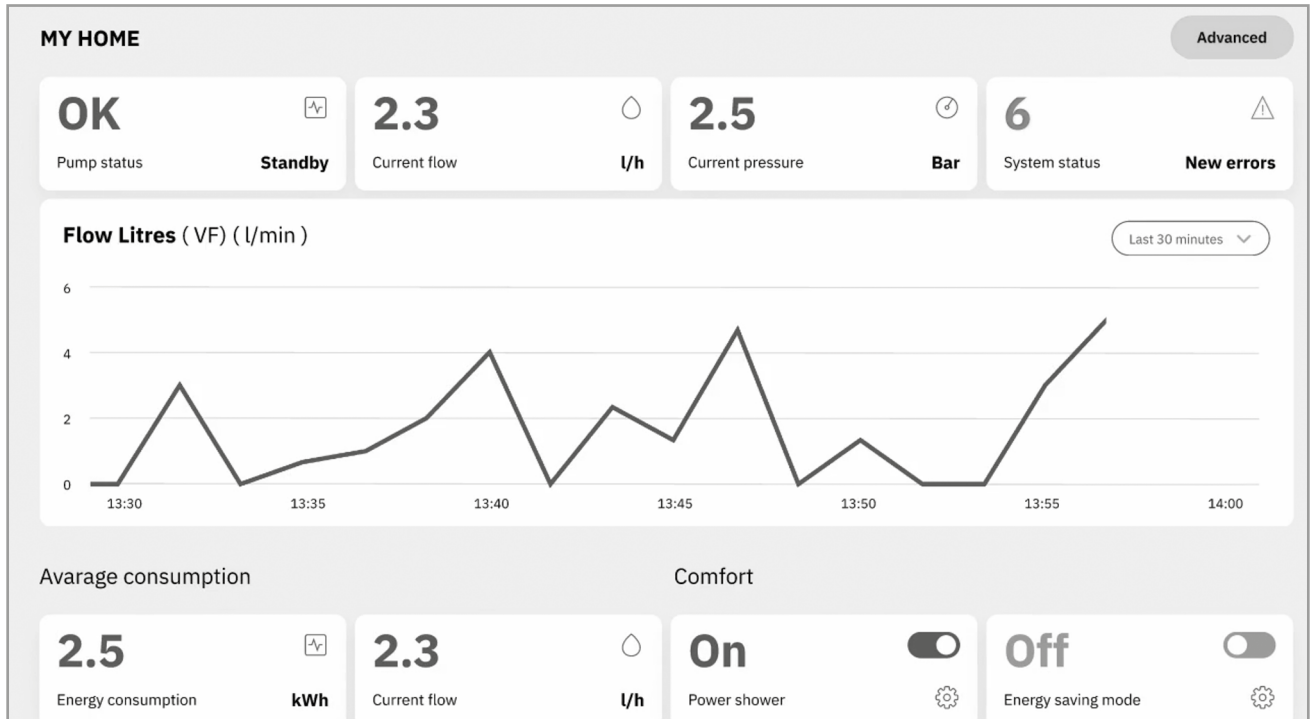
EASILY MONITOR YOUR SYSTEMS

The installations with green status are OK, while the orange ones need attention, and the red ones are experiencing problems.



TAKE ANY NECESSARY ACTIONS AS IF YOU WERE RIGHT IN THE PUMP ROOM

Using the internet site or the APPs, you will be able to easily and quickly control your systems.



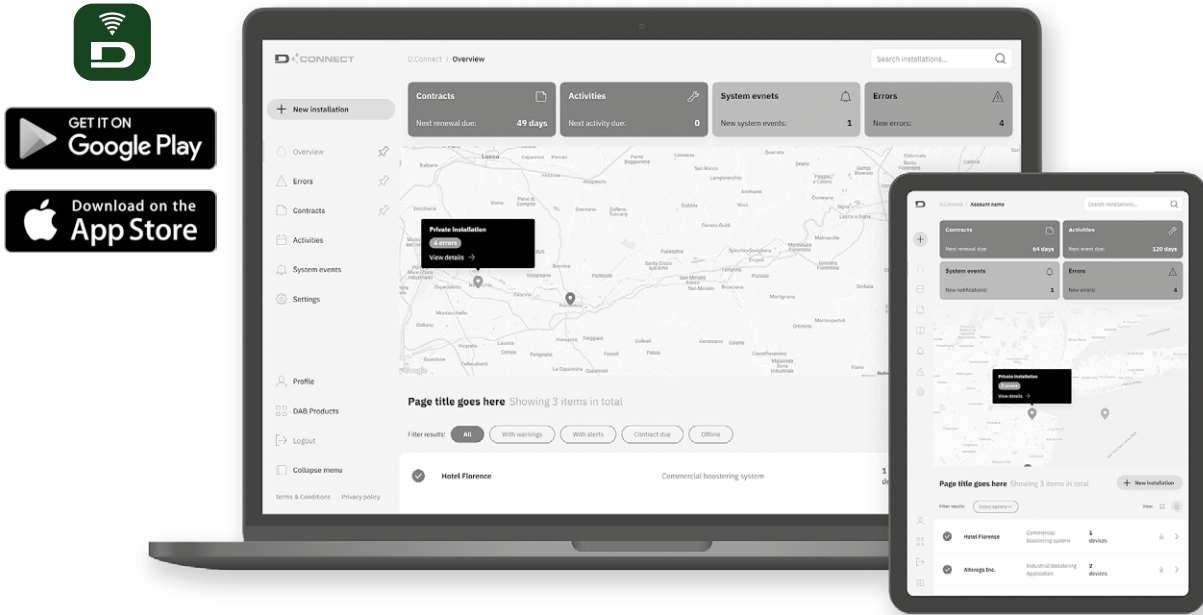
REMOTE ALARMS

In case of alarm, the D.Connect service will promptly send you a notification, so that you can check what is happening and organise a visit to the system before the issue becomes an emergency for your customer.

DCONNECT DIGITAL SERVICES

REMOTE CONTROL FOR ELECTRONIC RESIDENTIAL AND COMMERCIAL SYSTEMS

In order to use the D.Connect service, registration and connected products are required.
Connect to the website: <https://dconnect.dabpumps.com> using Internet Browsers such as Microsoft Edge or Google Chrome.
The Android and iOS D.Connect APPs can be downloaded from the relevant Stores:



WHAT PRODUCTS CAN YOU MANAGE USING THE D.CONNECT SERVICE?

MCE/P, MCE/C, ADAC, Active driver Plus, Ebox, Evoplus, Eskybox, Eskybox mini, Eskybox Diver, Dtron 3, Eskybox Max.

For more information visit: www.internetofpumps.com

DCONNECT

Simple and intuitive digital service for remote monitoring of DAB products: it allows you to find all the information you need, supervise the operation of the systems, or change the setting parameters.

APP DAB LIVE!

Available for Eskybox mini³ 

It makes easier for end users to supervise domestic systems in order to optimize consumption and maximize comfort, also thanks to Power Shower and Sleep Mode functions.

DCONNECT DIGITAL SERVICES

DATA RETENTION 1 MONTH MONITORING AND CONTROL

BASIC PACKAGE

1 YEAR SERVICE

2 trial months included Possibility to upgrade to a higher package at any time.

DATA PACKAGE

12 MONTHS SIM DATA TRAFFIC RENEWAL SERVICE

DATA RETENTION 12 MONTH MONITORING AND CONTROL

PLUS 12 PACKAGE

1 YEAR SERVICE

PLUS 36 PACKAGE

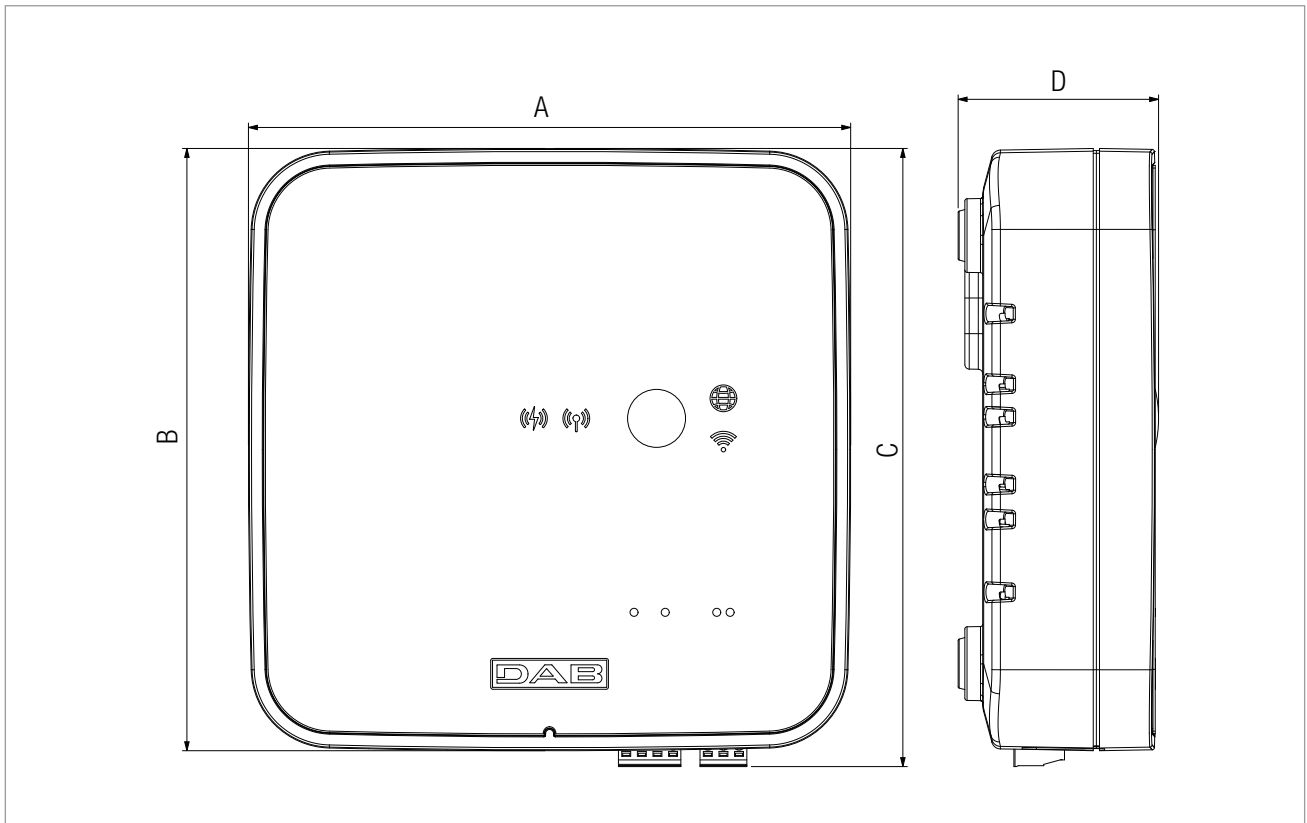
3 YEARS SERVICE

KIT MODEM WiFi + WALL CHARGER + SIM

12 MONTHS OF TRAFFIC INCLUDED

DCONNECT BOX 2

REMOTE CONTROL FOR ELECTRONIC RESIDENTIAL AND COMMERCIAL SYSTEMS



DIMENSIONS				PACKAGE DIMENSIONS			WEIGHT kg
A	B	C	D	L	B	H	
135	135	139.6	45	388	255	85	1,3

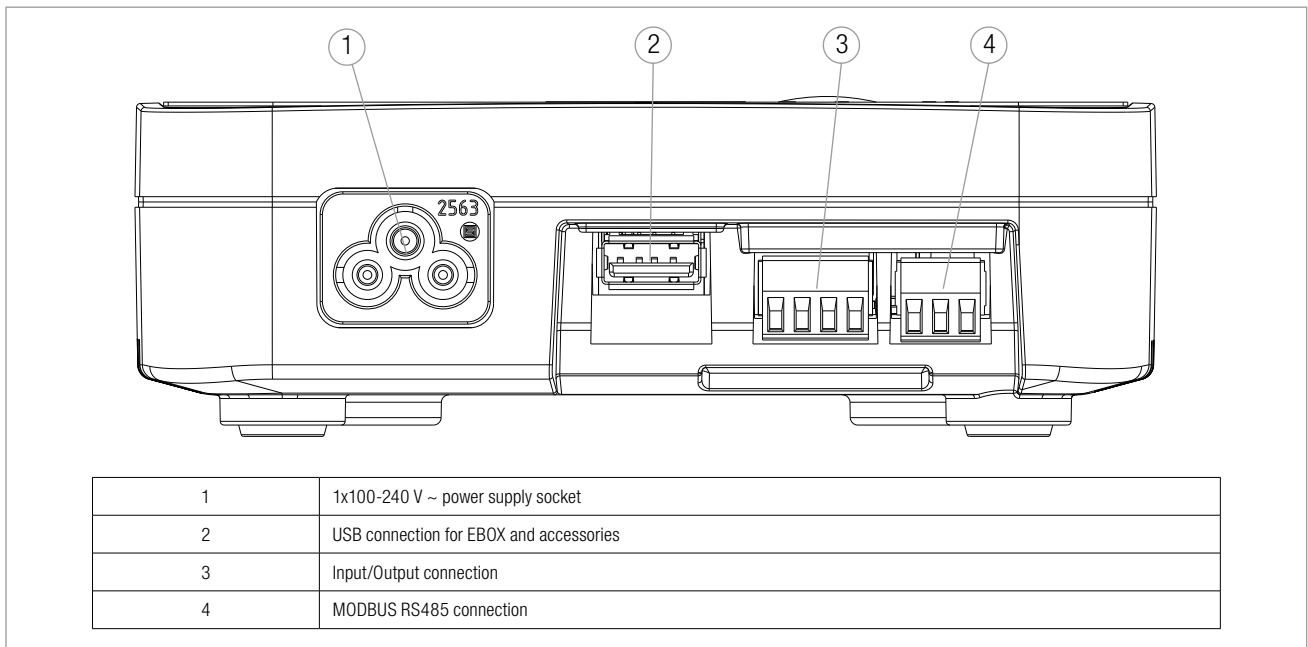


	PLC status LED
	Wireless status LED
	Wi-Fi status LED
	DAB Service Centre connection LED

DCONNECT BOX 2

REMOTE CONTROL FOR ELECTRONIC RESIDENTIAL AND COMMERCIAL SYSTEMS

COMPATIBLE PRODUCTS CONNECTIONS:



PACK CONTENT:


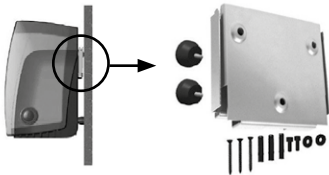
- DConnect Box 2.
- Power supply cable.
- Electric connectors for Modbus, Canbus, I/O.
- Quick Guide.



LICENSES: <http://dconnect.dabpumps.com/GPL>

ACCESSORIES

ACCESSORIES

ESYBOX - ESYBOX MINI³

	DESCRIPTION
 <p>ALSO SUITABLE FOR ESYBOX MINI³</p>	<p>KIT PIPE UNION 3 PIECES</p> <p>Kit consisting of 2 x 3-pieces unions, to facilitate the connection of ESYBOX and ESYBOX mini³ to the system.</p>
 <p>ALSO SUITABLE FOR ESYBOX MINI³ AND ESYBOX</p>	<p>ESYWALL</p> <p>Kit complete with brackets, screws, dowels and two accessories for absorption of vibrations.</p>

KIT OUTDOOR	DESCRIPTION
 <p>FOR ESYBOX</p>	<p>ESYCOVER + ESYGRID</p> <p>ESYBOX OUTDOOR KIT</p> <p>Consisting of ESYcover + ESYgrid, which allows the installation of ESYBOX outside, protecting it from rain and the entry of foreign bodies.</p> <p>Vertical installation only.</p>
 <p>FOR ESYBOX MINI³</p>	<p>ESYCOVER + ESYGRID</p> <p>ESYBOX MINI³ OUTDOOR KIT</p> <p>Consisting of ESYcover + ESYgrid, which allows the installation of ESYBOX MINI³ outside, protecting it from rain and the entry of foreign bodies.</p> <p>Vertical installation only.</p>



ESYGRID

INSECT GRILLS

Suitable for vertical or horizontal installation.
Suitable for both ESYBOX and ESYBOX mini³.

ESYCOVER

OUTSIDE INSTALLATION

Suitable for both ESYBOX and ESYBOX mini³.



	DESCRIPTION
 <p>WRAS APPROVED PRODUCT</p> <p>18 x 29 x 32 cm</p>	<h3>ESYDOCK</h3> <p>Thanks to the 4 plumbing configuration possibilities offers an 'installation even more rapid, easy and flexible. It is complete with all the interfaces required for connecting to the system. It incorporates anti vibration feet to ensure the same quietness as Esybox.</p>
 <p>WRAS APPROVED PRODUCT</p> <p>23 x 75 x 35 cm</p>	<h3>ESYTWIN</h3> <p>Esytwin is the evolution of Esydock, of which maintains all the benefits, for the creation of two groups of pumps. Esytwin offers exceptional performance thanks to possibility of combined operation with a reduced size of 50% compared to any other equivalent traditional system.</p>
	<h3>ESYTWIN DOUBLE CONNECTION KIT</h3> <p>2" T suction and delivery manifold connection kit for the connection of 2 Esytwin and the creation of boosters with up to 4 Esybox.</p> <p>Suction and delivery manifold, each one consisting of:</p> <ul style="list-style-type: none"> no. 2 x 1"1/4 Nipples no. 2 x 1"1/4 female -and 2" male reductions no. 3 x 2" 3-pieces connectors no. 1 x 2" female T connector







**DELIVERY AND SUCTION
FITTING 1" 1/4**




68 x 29 x 35 cm



**KIT DIMENSIONS
73 x 75 x 35 cm**

	DESCRIPTION
 <p>*Esybox not included with Esytank.</p> <p>166 x 87 x 60 cm</p>	<h3>ESYTANK</h3> <p>Tank specially studied to better integrate with Esybox and equipped with:</p> <ul style="list-style-type: none"> • Esydock (specially version) for quick connection • Suction hose with foot valve • Filling valve from the water supply with float • Overflow • Flow connection • Preparation for ground mounting • Inspection plug <p>Capacity 500 L with the possibility of expansion on 3 sides.</p>
	<h3>ESYTANK AUXILIARY CISTERN</h3> <p>The ESYTANK AUXILIARY CISTERN is supplied without any fittings or the ESYDOCK. The tank has a modular design to couple easily with other ESYTANK units, making the system expandable to the necessary capacity. It can be connected on three sides (at side and rear) using the ESYTANK TANK COUPLING KIT.</p>
	<h3>ESYTANK COUPLING KIT</h3> <p>The ESYTANK COUPLING KIT is composed of a PVC sleeve with gasket (D.160 mm L=150), two PVC aligning pipes (D.50mm x L=60) and a connecting ring nut for a 2-pump option. It allows the connection of several ESYTANK units or between ESYTANK and ESYTANK AUXILIARY CISTERN.</p>
	<h3>ESYTANK OPTIONAL DELIVERY KIT</h3> <p>Composed of a 1" PP pipe. It allows an auxiliary delivery for single tank systems or with the COUPLING KIT it allows several ESYTANK and ESYBOX systems to be linked together and to create pressure boosting units with several pumps and tanks.</p>





	DESCRIPTION
	<h3>KIT ESYLINK **</h3> <p>Esylink with power supplier and electric box.</p>

** Provided to be wired.

ACCESSORIES

ESYBOX - ESYBOX DIVER



	DESCRIPTION
	<p>DCONNECT BOX 2</p> <p>Thanks to DConnect Box 2 and the new App you can check the pump, set the starting and stopping parameters, view the details of alarms and monitor the status of the system directly on your smartphone.</p> <p>With the level sensor (included with Esybox Diver) it is also possible to monitor the water level in the tank.</p> <p>The DConnect Box 2 allows you to access the DAB cloud service.</p> <div style="display: flex; justify-content: flex-end; align-items: center; gap: 10px;">    </div>







+



Max 4x





MODEL
ESYBOX
Update to the following version is required: VE 5.X or later


MODEL
DCONNECT BOX 2

	DESCRIPTION
	<p>NFC WATER LEVEL MEASUREMENT</p> <p>Only connected to the DConnect Box 2, controls the level of water in the tank and notifies the user via App.</p>
	<p>NFC FLOAT</p> <p>Detects the level of water in a tank, preventing emptying of the latter and seizing of the pump avoiding the dry running, due to too low a level of water.</p>
	<p>SUCTION KIT FOR X VERSION</p> <p>It can be used in combination with Version X to collect water at such a level as to avoid the pumping of dust and mud found at the bottom of wells and tanks.</p>
	<p>DOC68</p> <p>The DOC68 permits installation of the Esybox Diver even outdoors as an IP68 certified surface pump.</p>

ACCESSORIES

ESYBOX MAX

	DESCRIPTION	ESYBOX MAX	2 ESYBOX MAX	3 ESYBOX MAX	4 ESYBOX MAX
	<p>ESY I/O</p> <p>The electronic expansion module allows Esybox Max to interface with the external input/output devices (eg: float switch, pressure switch, remote alarm) and with the BMS world (Building Management System).</p>	●	●	●	●
	<p>CONTROL PANEL</p> <p>Electrical connection panels for 2 or 3 pumps complete with magneto-thermic switches for powering multi-pump units. It can be installed on the wall or directly to Esybox Max units using the dedicated pillar kit.</p>	CONTROL PANEL E2G5,2 M 230V	● 1 x 230 V		● 2 x 1 x 230 V
		CONTROL PANEL E2G7 T 400V	● 3 x 400 V		● 2 x 3 x 400 V
		CONTROL PANEL E3G7.8 M 230V		● 1 x 230 V	
		CONTROL PANEL E3G10.5 T 400V		● 3 x 400 V	
	<p>COLUMN KIT</p> <p>Column for mounting the electrical panel directly on the frame of the multi-pump system.</p>		●	●	● 2 x
	<p>JOINT KIT 2 x 2 ESYBOX MAX</p> <p>Kit consisting of 2 pieces of 3-pieces unions and 2 pieces of 2" nipples to connect the delivery and suction of a pair of 2 Esydock Max to create 4-units Esybox Max groups.</p>				●

	DESCRIPTION
 <p>23 x 38 x 38 cm</p>	<h3>ESYDOCK MAX</h3> <p>Esydock Max is the mounting base to assemble the pumping system at the installation site quickly and conveniently. It connects to the system with four different hydraulic configuration modes and with its anti-vibration feet it maintains a high level of quietness.</p>
 <p>23 x 81 x 38 cm</p>	<h3>2 ESYDOCK MAX</h3> <p>It is the mounting base used to create two-pump units. The exceptional performance offered by the combined operation of two Esybox Max units is combined with a 50% reduction in dimensions compared to conventional systems with the same performance.</p>
 <p>23 x 125 x 38 cm</p>	<h3>3 ESYDOCK MAX</h3> <p>Mounting base for three-pump units. The modular concept is realised in an absolutely flexible, high-performance system. Maximum results with minimum space requirements and extremely easy and user-friendly installation.</p>



EASY TO MOVE & INSTALL

Keeping it flexible, we have the On-Site Assembly concept. So if you have difficulties getting to the pumps location, due to narrow stairways and corridors etc., you can choose to assemble your booster on-site which will only require moving smaller lighter boxes into the location then carry out our quick assembly steps.







AS QUICK AS A "CLICK"

Install Esydock into your pipework system and simply "plug" your pumps in. A final quick set up via the digital DConnect app completes your installation project.

ACCESSORIES

ESYBOX DCONNECT BOX

	DESCRIPTION
	ETHERNET CABLE 2m (to use in case of LAN connection)
	DCONNECT BOX BMS ADAPTER KIT (MODBUS RTU RS485)
	KIT CHARGER MINI UPS FOR DCONNECT BOX
	DCONNECT BOX PANEL (DConnect Box included)



DAB
PUMPS SELECTOR

On-line product selection



DAB PUMPS LTD.
6 Gilbert Court
Newcomen Way
Severalls Business Park
Colchester
Essex
CO4 9WN - UK
salesuk@dwtgroup.com
Tel. +44 0333 777 5010



DAB PUMPS IBERICA S.L.
Calle Verano 18-20-22
28850 - Torrejón de Ardoz - Madrid
Spain
Info.spain@dwtgroup.com
Tel. +34 91 6569545
Fax: + 34 91 6569676



DAB PUMPS (QINGDAO) CO. LTD.
No.40 Kaituo Road, Qingdao Economic
& Technological
Development Zone
Qingdao City, Shandong Province - China
PC: 266500
sales.cn@dwtgroup.com
Tel. +86 400 186 8280
Fax +86 53286812210



DAB PUMPS BV
'tHofveld 6 C1
1702 Groot Bijgaarden - Belgium
info.belgium@dwtgroup.com
Tel. +32 2 4668353



DAB PUMPS HUNGARY KFT.
H-8800
Nagykanizsa, Buda Ernő u.5
Hungary
Tel. +36 93501700



DAB PUMPS DE MÉXICO, S.A. DE C.V.
Av Amsterdam 101 Local 4
Col. Hipódromo Condasa,
Del. Cuauhtémoc CP 06170
Ciudad de México
Tel. +52 55 6719 0493



DAB PUMPS B.V.
Statenlaan, 4
5223 LA, 's-Hertogenbosch
Nederland
info.nl@dabpumps.com
Tel. +31 416 387280



DAB PUMPS POLAND Sp. z o.o.
Ul. Janka Muzykanta 60
02188 Warszawa - Poland
polska@dabpumps.com.pl



DAB PUMPS OCEANIA PTY LTD
426 South Gippsland Highway,
Dandenong South VIC 3175 - Australia
info.oceania@dwtgroup.com
Tel. +61 1300 378 677



DAB PUMPS INC.
3226 Benchmark Drive
Ladson, SC 29456 - USA
info.usa@dwtgroup.com
Tel. 1- 843-797-5002
Fax 1-843-797-3366



DAB PUMPS GMBH
Am Nordpark 3
D - 41069 Mönchengladbach - Germany
info.germany@dwtgroup.com
Tel. +49 2161 47388-0
Fax +49 2161 47388-36



DAB PUMPS SOUTH AFRICA (PTY) LTD
Twenty One industrial Estate,
16 Purlin Street, Unit B, Warehouse 4
Olifantsfontein - 1667 - South Africa
info.sa@dwtgroup.com
Tel. +27 12 361 3997



PT DAB PUMPS INDONESIA
Satrio Tower lantai 26
unit C-D, Jl. Prof. Dr. Satrio Kav. C4,
Kel. Kuningan Timur, Kec. Setiabudi, Kota Adm.
Jakarta Selatan, Prov. DKI Jakarta. - Indonesia
Tel. +62 2129222850