

KVC - KVCX

INTEGRAL SHAFT MULTISTAGE VERTICAL CENTRIFUGAL ELECTRIC PUMPS



TECHNICAL DATA

Operating range:

from 50 to 200 l/min with head up to 113 m.

Pumped liquid: clean, free of solids and abrasives, non-viscous, non-aggressive, non-crystallised and chemically neutral, with properties similar to water.

Pumped liquid temperature range: from 0 °C to +35 °C for domestic use (EN 60335-2-41 safety standards).

From 0°C to +40°C for other uses.

Maximum ambient temperature: +40 °C.

Maximum operating pressure: 12 bar (1200 kPa).

Protection class: IP 55

Insulation class: F

Standard voltage: single-phase 220-240 V / 50 Hz

three-phase 230-400 V / 50 Hz IE3 ≥ 0.75 kW for EU countries

IE2 ≥ 0.75 kW for extre EU countries

Installation: fixed, vertical or horizontal position, provided that the motor is always above the pump.

Special executions on requests: alternative voltages and frequencies.

APPLICATIONS

Vertical multistage centrifugal pump suitable for small to medium user water systems. Suitable for pressurization units, filling of pressure vessels, sprinkler and watering systems, fire-fighting and washing systems, channelling of condensate and cooling water. Innovative and robust design.

CONSTRUCTION FEATURES OF THE PUMP

KVC: Technopolymer delivery and suction bodies, and in-line suction and delivery ports with threaded metal insert.

KVCX: technopolymer suction body with threaded metal insert; stainless steel threaded delivery port on pump liner.

Impellers, diffuser bodies and diffusers in technopolymer, fully rust-proof. AISI 304 stainless steel pump liner, adjustment rings and seal disc. Carbon/ceramic mechanical seal, fitted on the AISI 303 stainless-steel drive shaft extension.

CONSTRUCTION FEATURES OF THE MOTOR

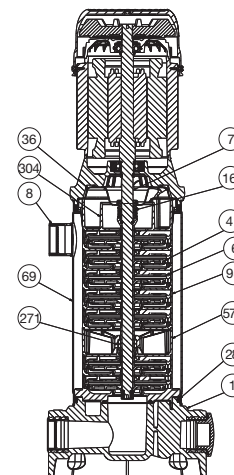
Closed asynchronous type, external ventilation cooling. Rotor running on permanently lubricated ball bearings, oversized to ensure low noise and durability. Standard built-in thermo-amperometric protection. Capacitor permanently fitted on single phase versions.

Overload protection to be provided by the user for the three-phase version. Construction according to CEI 2-3 / CEI 61-69 (EN 60335-2-41).

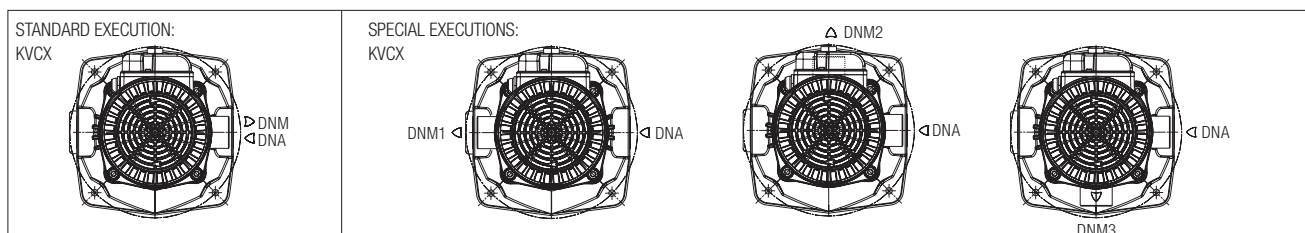
MATERIALS

No.	PARTS*	MATERIALS
1	PUMP BODY	TECHNOPOLYMER A
4	IMPELLER	TECHNOPOLYMER B
6	DIFFUSER	TECHNOPOLYMER B
7	SHAFT WITH ROTOR	AISI 303 STAINLESS STEEL X10 CrNi S 1089 UNI 6900/71
16	MECHANICAL SEAL	SILICON CARBIDE/SILICON
28	OR RING	EPDM RUBBER
36	SEAL HOLDING DISC	AISI 304 STAINLESS STEEL X5 CrNi 1810 UNI 6900/71
57a	INTERMEDIATE STAGE	TECHNOPOLYMER B
69	LINER	AISI 304 STAINLESS STEEL X5 CrNi 1810 UNI 6900/71
98	DIFFUSER BODY	TECHNOPOLYMER B
271	CENTERING BUSHING	BRONZE B14
304	CONVEYOR	TECHNOPOLYMER B
8	DNM (standard for KVCX only)	

* In contact with the liquid.



KVCX SUCTION AND DELIVERY PORT ORIENTATION



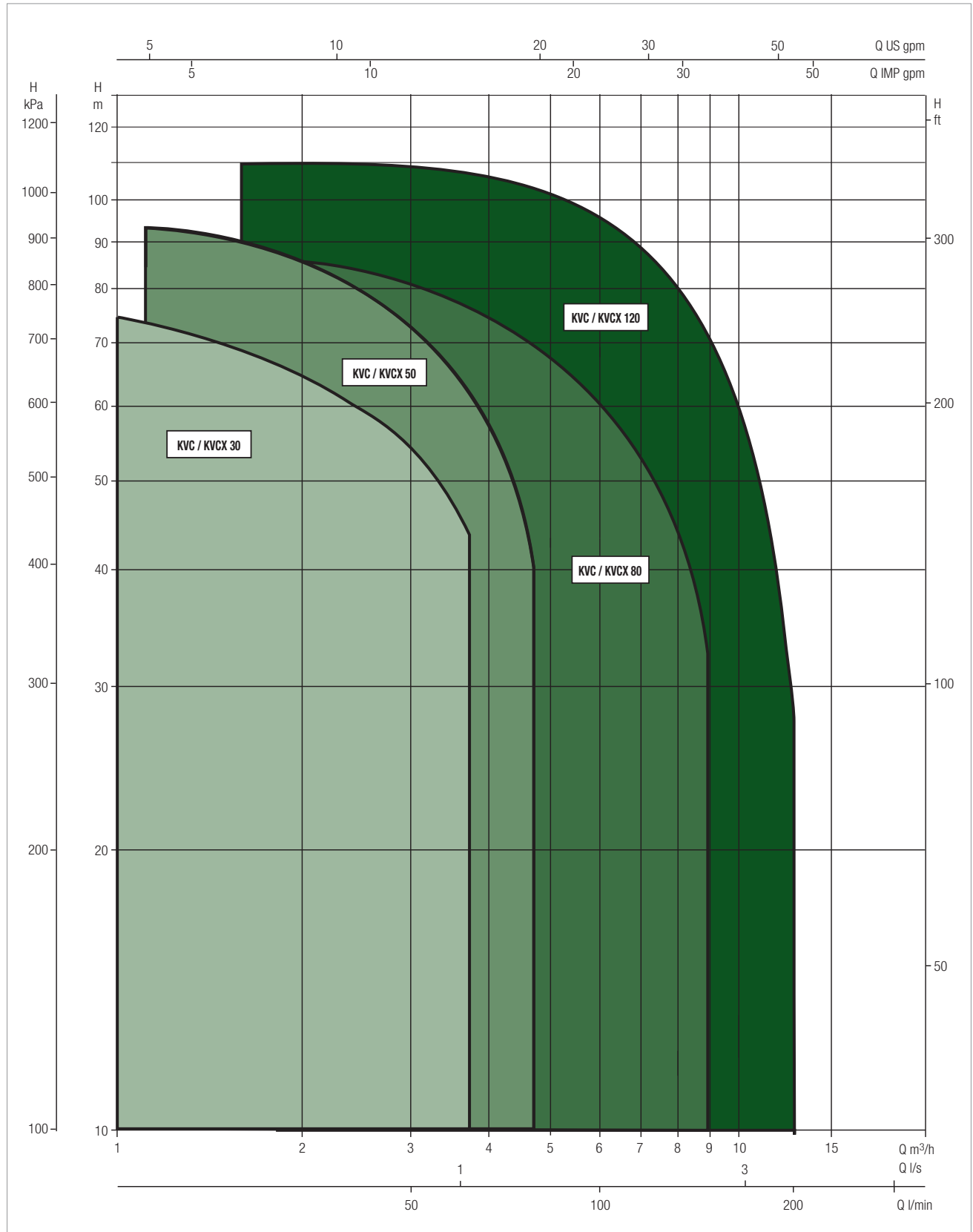
KVC - KVCX RANGE

INTEGRAL SHAFT MULTISTAGE VERTICAL CENTRIFUGAL ELECTRIC PUMPS

PERFORMANCE RANGE

The performance curves are based on kinematic viscosity values = $1 \text{ mm}^2/\text{s}$ and density equal to 1000 kg/m^3 . Curve tolerance according to ISO 9906.

GRAPHIC SELECTION TABLE



SELECTION TABLE - KVC / KVCX 30

MODEL	Q=m ³ /h	0	0.6	1.2	1.8	2.4	3	3.6	3.9
	Q=l/min	0	10	20	30	40	50	60	65
KVC/KVCX 15/30 M / T	H (m)	21.5	21.3	20.5	19.0	16.9	14.2	10.8	8.9
KVC/KVCX 25/30 M / T		29.0	28.6	27.4	25.3	22.4	18.5	13.6	10.7
KVC/KVCX 35/30 M / T		40.2	39.3	37.3	34.1	29.8	24.3	17.4	13.5
KVC/KVCX 45/30 M		49.7	48.7	46.5	43.1	38.4	32.1	24.2	19.6
KVC/KVCX 45/30 T		47.1	45.9	43.5	39.8	34.7	28.0	19.6	14.7
KVC/KVCX 50/30 M / T		61.5	59.9	56.8	52.2	46.0	38.0	28.3	22.7
KVC/KVCX 60/30 M / T		69.6	67.6	64.0	58.5	51.1	41.8	30.3	23.8
KVC/KVCX 65/30 M / T		78.4	76.8	73.5	68.4	61.2	51.9	40.1	33.3

SELECTION TABLE - KVC / KVCX 50

MODEL	Q=m ³ /h	0	0.6	1.2	1.8	2.4	3	3.3	3.9	4.8
	Q=l/min	0	10	20	30	40	50	55	65	80
KVC/KVCX 20/50 M / T	H (m)	27.4	26.9	26.0	24.9	23.1	21.1	19.8	16.9	11.4
KVC/KVCX 30/50 M / T		41.1	40.3	39.0	37.3	34.7	31.6	29.7	25.3	17.1
KVC/KVCX 40/50 M / T		54.9	53.7	52.0	49.7	46.3	42.1	39.6	33.7	22.9
KVC/KVCX 55/50 M / T		68.6	67.1	65.0	62.1	57.9	52.7	49.5	42.1	28.6
KVC/KVCX 65/50 M / T		82.3	80.6	78.0	74.6	69.4	63.2	59.4	50.6	34.3
KVC/KVCX 75/50 M / T		96.0	94.0	91.0	87.0	81.0	73.8	69.3	59.0	40.0

SELECTION TABLE - KVC / KVCX 80

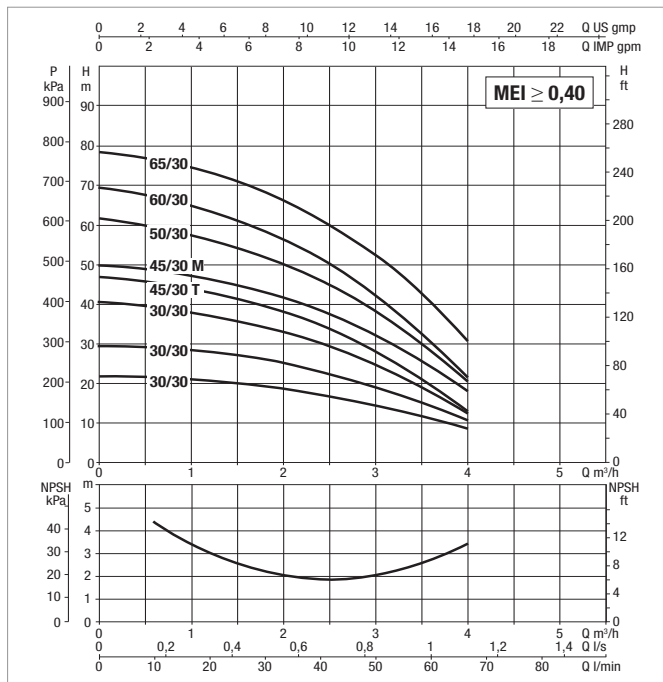
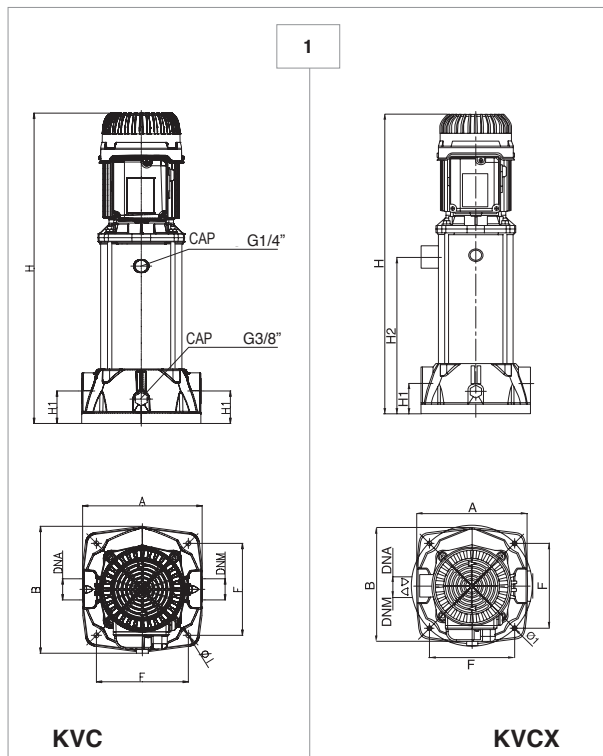
MODEL	Q=m ³ /h	0	0.6	1.2	1.8	2.4	3	3.6	4.2	5.4	7.2	8.4	9
	Q=l/min	0	10	20	30	40	50	60	70	90	120	140	150
KVC 20/80 M / T	H (m)	25.0	24.8	24.4	23.8	23.1	22.3	21.3	20.1	17.3	11.9	7.4	4.8
KVC 30/80 M / T		36.9	36.9	36.6	36.1	35.3	34.3	33.1	31.6	27.8	20.3	14.2	10.7
KVC 40/80 M / T		50.1	49.7	49.0	48.0	46.7	45.1	43.2	41.0	35.7	25.5	17.1	12.5
KVC 45/80 M / T		64.6	64.5	63.9	63.0	61.7	60.0	57.9	55.5	49.3	37.1	26.8	21.1
KVC 55/80 M / T		76.1	75.8	75.1	73.9	72.2	70.0	67.4	64.3	56.7	41.8	29.5	22.7
KVC 65/80 M / T		88.6	88.0	86.9	85.5	83.5	81.2	78.3	75.0	67.0	51.1	37.9	30.5

SELECTION TABLE - KVC / KVCX 120

MODEL	Q=m ³ /h	0	0.6	1.2	1.8	2.4	3	3.3	3.9	4.8	5.4	6	7.2	8.4	9.6	10.8	12
	Q=l/min	0	10	20	30	40	50	55	65	80	90	100	120	140	160	180	200
KVC/KVCX 25/120 M / T	H (m)	30.4	30.3	30.2	30.0	29.9	29.6	29.3	28.7	27.7	26.9	25.9	23.2	19.9	16.4	12.0	7.0
KVC/KVCX 35/120 M / T		46.2	46.1	45.7	45.3	44.8	44.0	43.7	42.7	40.9	39.3	37.4	33.7	29.4	24.2	18.0	11.0
KVC/KVCX 45/120 M / T		62.4	62.0	61.4	60.8	60.1	59.1	58.6	57.5	55.3	53.4	51.4	46.2	40.6	34.0	26.3	17.0
KVC/KVCX 60/120 T		78.0	77.5	76.7	75.9	75.1	73.9	73.3	71.5	68.3	65.9	63.2	58.0	51.0	43.4	35.0	24.5
KVC/KVCX 70/120 T		95.0	94.3	93.4	92.5	91.4	89.8	88.9	86.8	83.2	80.5	77.9	71.7	63.9	54.7	44.0	31.0
KVC/KVCX 85/120 T		112.7	111.6	110.3	109.0	107.6	105.7	104.5	101.9	97.5	94.1	89.9	81.6	72.1	61.2	48.9	34.0

KVC / KVCX 30 - INTEGRAL SHAFT MULTISTAGE VERTICAL CENTRIFUGAL ELECTRIC PUMPS FOR CIVIL AND INDUSTRIAL PRESSURISATION SYSTEMS, PRESSURE UNITS

Pumped liquid temperature range: from 0 °C to +35 °C for domestic use - from 0 °C to +40 °C for the other uses



See hydraulic efficiency details on page 291.

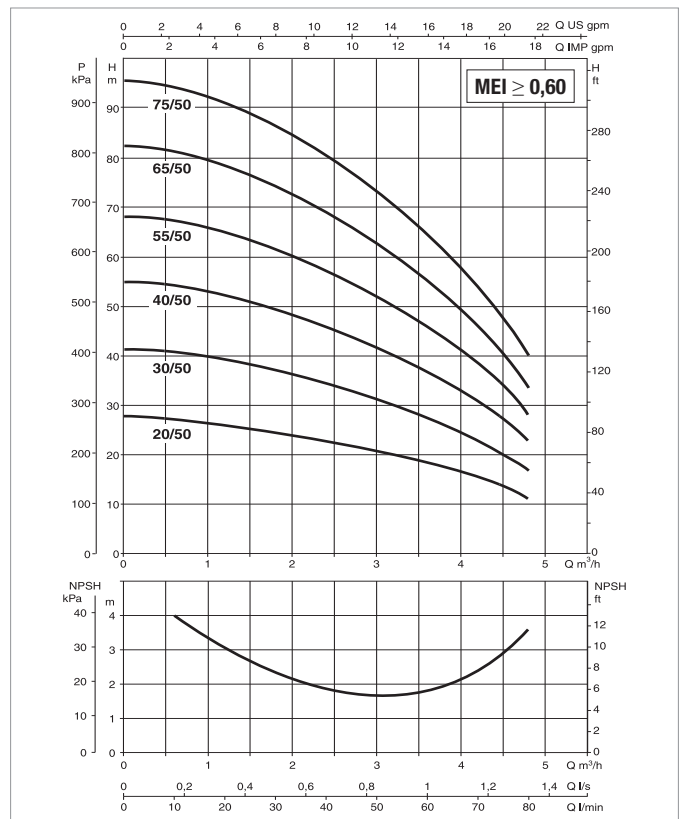
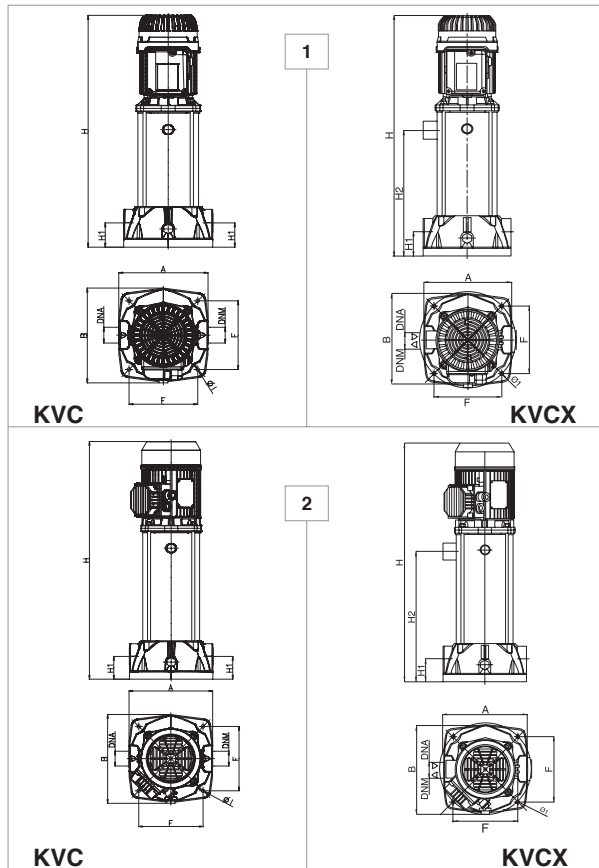
The performance curves are based on kinematic viscosity values = 1 mm²/s and density equal to 1000 kg/m³. Curve tolerance according to ISO 9906.

MODEL	NO. OF IMPELLERS	ELECTRICAL DATA								CAPACITOR	
		POWER INPUT 50 Hz	P1 MAX kW	P2 NOMINAL		In A	MOTOR TYPE	I st. A	1/min.	µF	Vc
				kW	HP						
KVC/KVCX 15/30 M	2	1x220-240V ~	0.56	0.25	0.34	2.8	-	11.7	2800	14	450
KVC/KVCX 15/30 T		3x230/400V ~	0.52	0.25	0.34	2.2 - 1.2	-	3.1 - 1.8	2800	-	-
KVC/KVCX 25/30 M	3	1x220-240V ~	0.73	0.37	0.5	3.4	-	11.8	2800	14	450
KVC/KVCX 25/30 T		3x230/400V ~	0.67	0.37	0.5	2.4 - 1.4	-	3.3 - 1.9	2800	-	-
KVC/KVCX 35/30 M	4	1x220-240V ~	0.89	0.45	0.6	4.1	-	12.5	2800	14	450
KVC/KVCX 35/30 T		3x230/400V ~	0.85	0.45	0.6	2.8 - 1.6	-	3.6 - 2.1	2800	-	-
KVC/KVCX 45/30 M	5	1x220-240V ~	1.11	0.65	0.88	5.2	-	19.3	2800	20	450
KVC/KVCX 45/30 T		3x230/400V ~	0.97	0.65	0.88	3 - 1.7	-	3.5 - 1.9	2800	-	-
KVC/KVCX 50/30 M	6	1x220-240V ~	1.29	0.75	1.0	5.9	-	20.8	2800	20	450
KVC/KVCX 50/30 T		3x230/400V ~	1.15	0.75	1.0	4.1 - 2.4	IE2	5.5 - 3.2	2800	-	-
KVC/KVCX 50/30 T IE3		3x230/400V ~	1.08	0.75	1.0	3.5 - 2	IE3	5.2 - 3	2800	-	-
KVC/KVCX 60/30 M	7	1x220-240V ~	1.45	0.9	1.2	6.7	-	24.3	2800	25	450
KVC/KVCX 60/30 T		3x230/400V ~	1.30	0.9	1.2	4.4 - 2.5	IE2	5.9 - 3.4	2800	-	-
KVC/KVCX 60/30 T IE3		3x230/400V ~	1.22	0.9	1.2	3.8 - 2.2	IE3	4.7 - 2.7	2800	-	-
KVC/KVCX 65/30 M	8	1x220-240V ~	1.56	1	1.36	7	-	24.3	2800	25	450
KVC/KVCX 65/30 T		3x230/400V ~	1.44	1	1.36	4.9 - 2.8	IE2	6.9 - 4	2800	-	-
KVC/KVCX 65/30 T IE3		3x230/400V ~	1.38	1	1.36	4.3 - 2.5	IE3	4.5 - 2.6	2800	-	-

MODEL	EXTERNAL DESIGN	A	B	F	H	H1	H2	Ø I	DNA	DNM	PACKING DIMENSIONS			VOLUME (m³)	WEIGHT kg	
											L/A	L/B	H		single-phase	three-phase
KVC 15/30	1	221	250	170	505	60	-	9	G 1" 1/4	G 1" 1/4	300	360	600	0.065	14.7	14.7
KVC 25/30	1	221	250	170	505	60	-	9	G 1" 1/4	G 1" 1/4	300	360	600	0.065	14.7	14.7
KVC 35/30	1	221	250	170	560	60	-	9	G 1" 1/4	G 1" 1/4	300	360	600	0.065	14.5	14.5
KVC 45/30	1	221	250	170	560	60	-	9	G 1" 1/4	G 1" 1/4	300	360	600	0.065	14.9	14.9
KVC 50/30	1	221	250	170	652	60	-	9	G 1" 1/4	G 1" 1/4	300	360	745	0.08	17.5	17.5
KVC 60/30	1	221	250	170	652	60	-	9	G 1" 1/4	G 1" 1/4	300	360	745	0.08	17.3	17.3
KVC 65/30	1	221	250	170	679	60	-	9	G 1" 1/4	G 1" 1/4	300	360	745	0.08	18.9	18.5
KVCX 15/30	1	235	250	170	505	60	184	9	G 1" 1/4	G 1" 1/4	300	360	745	0.08	14.7	14.7
KVCX 25/30	1	235	250	170	505	60	184	9	G 1" 1/4	G 1" 1/4	300	360	745	0.08	14.7	14.7
KVCX 35/30	1	235	250	170	560	60	239	9	G 1" 1/4	G 1" 1/4	300	360	745	0.08	14.5	14.5
KVCX 45/30	1	235	250	170	560	60	239	9	G 1" 1/4	G 1" 1/4	300	360	745	0.08	14.9	14.9
KVCX 50/30	1	235	250	170	652	60	332	9	G 1" 1/4	G 1" 1/4	300	360	745	0.08	17.5	17.5
KVCX 60/30	1	235	250	170	652	60	332	9	G 1" 1/4	G 1" 1/4	300	360	745	0.08	17.3	17.3
KVCX 65/30	1	235	250	170	679	60	358	9	G 1" 1/4	G 1" 1/4	300	360	745	0.08	18.9	18.5

KVC / KVCX 50 - INTEGRAL SHAFT MULTISTAGE VERTICAL CENTRIFUGAL ELECTRIC PUMPS FOR CIVIL AND INDUSTRIAL PRESSURISATION SYSTEMS, PRESSURE UNITS

Pumped liquid temperature range: from 0 °C to +35 °C for domestic use - from 0 °C to +40 °C for the other uses



See hydraulic efficiency details on page 291.

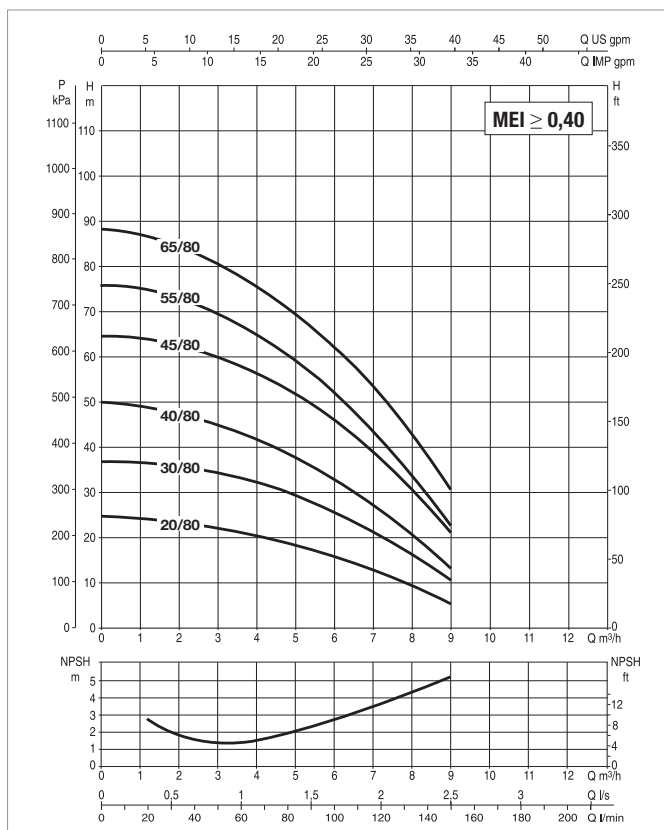
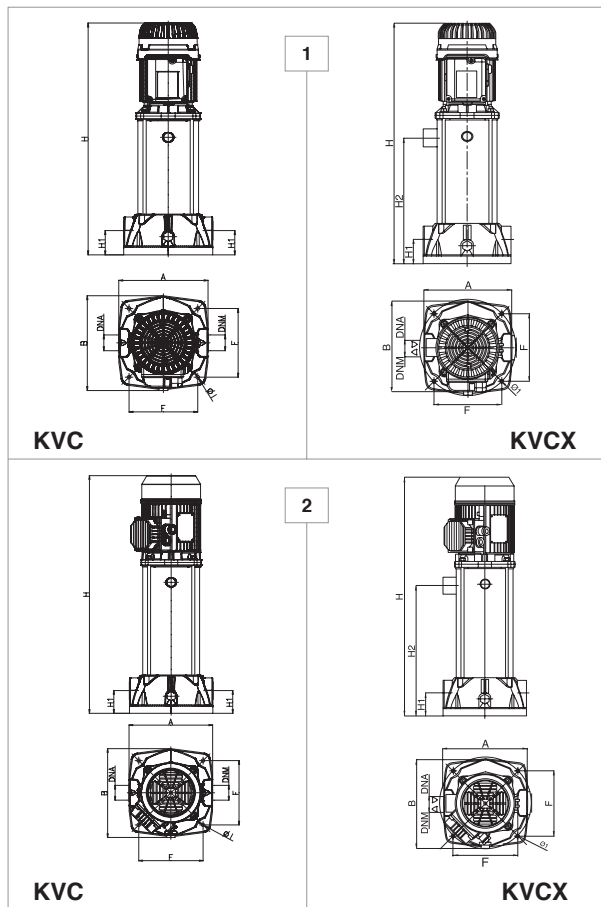
The performance curves are based on kinematic viscosity values = 1 mm²/s and density equal to 1000 kg/m³. Curve tolerance according to ISO 9906.

MODEL	NO. OF IMPELLERS	POWER INPUT 50 Hz	P1 MAX kW	ELECTRICAL DATA						CAPACITOR	
				P2 NOMINAL		In A	MOTOR TYPE	I st. A	1/min.	µF	Vc
				kW	HP						
KVC-KVCX 20/50 M	2	1x220-240 V ~	0.55	0.37	0.5	2.5	-	13.7	2800	14	450
KVC-KVCX 20/50 T		3x230-400 V ~	0.54	0.37	0.5	1.7-1	-	15.9-9.2	2800	-	-
KVC-KVCX 30/50 M	3	1x220-240 V ~	0.9	0.55	0.75	4	-	13.7	2800	14	450
KVC-KVCX 30/50 T		3x230-400 V ~	0.75	0.55	0.75	2.4-1.4	-	15.9-9.2	2800	-	-
KVC-KVCX 40/50 M	4	1x220-240 V ~	1.2	0.8	1.1	5.6	-	28	2800	20	450
KVC-KVCX 40/50 T		3x230-400 V ~	1.2	0.8	1.1	3.8-2.2	IE2	21.4-12.4	2800	-	-
KVC-KVCX 40/50 T IE3		3x230-400 V ~	1.2	0.8	1.1	4.1-2.4	IE3	23.1-13.5	2800	-	-
KVC-KVCX 55/50 M	5	1x220-240 V ~	1.4	1	1.36	6.4	-	30	2800	25	450
KVC-KVCX 55/50 T		3x230-400 V ~	1.4	1	1.36	4.4-2.6	IE2	22.1-12.8	2800	-	-
KVC-KVCX 55/50 T IE3		3x230-400 V ~	1.5	1	1.36	4.7-2.7	IE3	23.6-13.3	2800	-	-
KVC-KVCX 65/50 M	6	1x220-240 V ~	1.7	1.1	1.5	7.4	-	29.2	2800	31.5	450
KVC-KVCX 65/50 T		3x230-400 V ~	1.7	1.1	1.5	7-4	IE2	36.7-21	2800	-	-
KVC-KVCX 65/50 T IE3		3x230-400 V ~	1.9	1.1	1.5	5.9-3.4	IE3	30.9-17.8	2800	-	-
KVC-KVCX 75/50 M	7	1x220-240 V ~	2	1.5	2	9	-	38	2800	31.5	450
KVC-KVCX 75/50 T		3x230-400 V ~	1.9	1.5	2	7.7-4.3	IE2	39.34-22	2800	-	-
KVC-KVCX 75/50 T IE3		3x230-400 V ~	2.1	1.5	2	6.6-3.8	IE3	33.7-19.4	2800	-	-

MODEL	EXTERNAL DESIGN	A	B	F	H	H1	H2	Ø I	DNA	DNM	PACKING DIMENSIONS			VOLUME (m³)	WEIGHT kg	
											L/A	L/B	H		single-phase	three-phase
KVC 20/50	1	221	235	170	450	60	-	9	G 1" 1/4	G 1" 1/4	300	360	600	0.065	13.5	13.5
KVC 30/50	1	221	235	170	478	60	-	9	G 1" 1/4	G 1" 1/4	300	360	600	0.065	13.7	13.7
KVC 40/50	1	221	235	170	505	60	-	9	G 1" 1/4	G 1" 1/4	300	360	656	0.071	15.8	15.8
KVC 55/50	1	221	235	170	533	60	-	9	G 1" 1/4	G 1" 1/4	300	360	656	0.071	17.0	17.0
KVC 65/50	2	221	235	170	600	60	-	9	G 1" 1/4	G 1" 1/4	300	360	735	0.079	20.2	19.8
KVC 75/50	2	221	235	170	627	60	-	9	G 1" 1/4	G 1" 1/4	300	360	735	0.079	21.2	20.6
KVCX 20/50	1	221	235	170	450	60	-	9	G 1" 1/4	G 1" 1/4	300	360	600	0.065	13.5	13.5
KVCX 30/50	1	221	235	170	478	60	184	9	G 1" 1/4	G 1" 1/4	300	360	600	0.065	13.7	13.7
KVCX 40/50	1	221	235	170	505	60	184	9	G 1" 1/4	G 1" 1/4	300	360	656	0.071	15.8	15.8
KVCX 55/50	1	221	235	170	533	60	239	9	G 1" 1/4	G 1" 1/4	300	360	656	0.071	17.0	17.0
KVCX 65/50	2	221	235	170	600	60	239	9	G 1" 1/4	G 1" 1/4	300	360	735	0.079	20.2	19.8
KVCX 75/50	2	221	235	170	627	60	332	9	G 1" 1/4	G 1" 1/4	300	360	735	0.079	21.2	20.6

KVC / KVCX 80 - INTEGRAL SHAFT MULTISTAGE VERTICAL CENTRIFUGAL ELECTRIC PUMPS FOR CIVIL AND INDUSTRIAL PRESSURISATION SYSTEMS, PRESSURE UNITS

Pumped liquid temperature range: from 0 °C to +35 °C for domestic use - from 0 °C to +40 °C for the other uses



See hydraulic efficiency details on page 291.

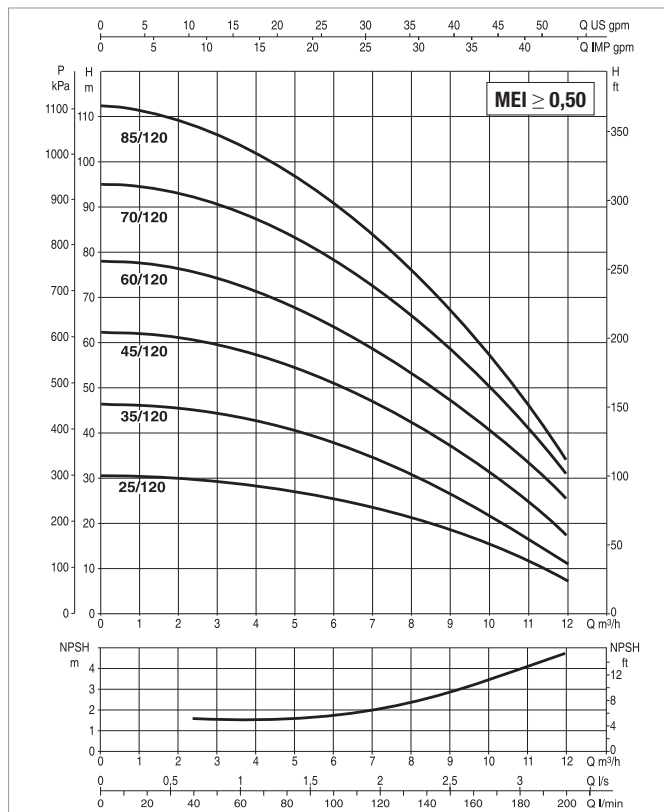
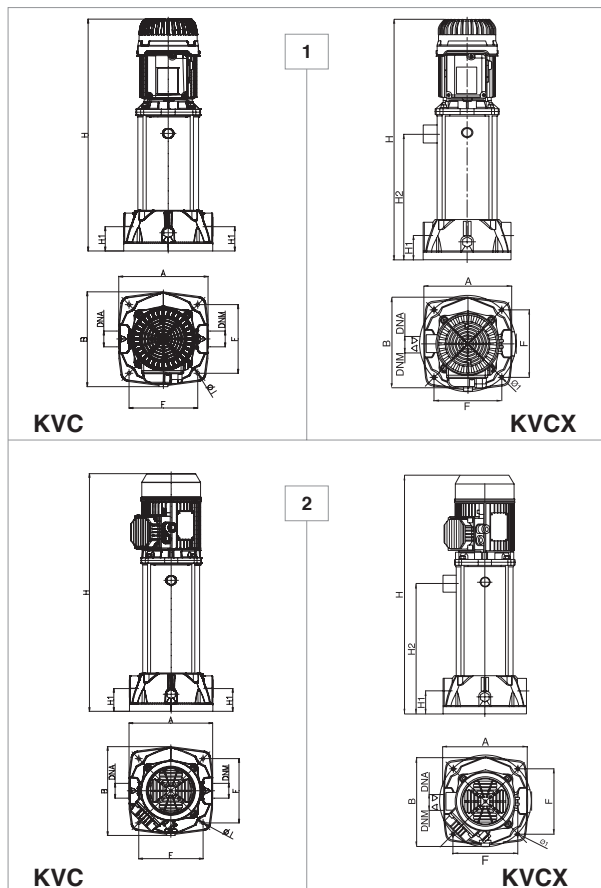
The performance curves are based on kinematic viscosity values = 1 mm²/s and density equal to 1000 kg/m³. Curve tolerance according to ISO 9906.

MODEL	No. IMPELLERS	POWER INPUT 50 Hz	P1 MAX kW	P2 NOMINAL		In A	MOTOR TYPE	I st. A	1/min.	CAPACITOR	
				kW	HP					µF	Vc
KVC/KVCX 20/80 M	2	1x220-240V ~	0.93	0.55	0.75	4.2	-	15.3	2800	14	450
KVC/KVCX 20/80 T		3x230/400V ~	0.89	0.55	0.75	2.8 - 1.6	-	3.8 - 2.2	2800	-	-
KVC/KVCX 30/80 M	3	1x220-240V ~	1.40	0.9	1.2	6.5	-	23.7	2800	25	450
KVC/KVCX 30/80 T		3x230/400V ~	1.23	0.9	1.2	4.2 - 2.4	IE2	5.7 - 3.3	2800	-	-
KVC/KVCX 30/80 T IE3		3x230/400V ~	1.17	0.9	1.2	3.8 - 2.2	IE3	5.1 - 3	2800	-	-
KVC/KVCX 40/80 M	4	1x220-240V ~	1.63	1.1	1.5	7.4	-	23.7	2800	31.5	450
KVC/KVCX 40/80 T		3x230/400V ~	1.56	1	1.36	5 - 2.9	IE2	6.7 - 3.9	2800	-	-
KVC/KVCX 40/80 T IE3		3x230/400V ~	1.49	1	1.36	4.5 - 2.6	IE3	6 - 3.5	2800	-	-
KVC/KVCX 45/80 M	5	1x220-240V ~	2.10	1.5	2	9.6	-	38.3	2800	40	450
KVC/KVCX 45/80 T		3x230/400V ~	2.03	1.5	2	6.8 - 3.9	IE2	10 - 5.8	2800	-	-
KVC/KVCX 45/80 T IE3		3x230/400V ~	1.93	1.5	2	6 - 3.4	IE3	9.3 - 5.4	2800	-	-
KVC/KVCX 55/80 M	6	1x220-240V ~	2.46	1.85	2.5	11.2	-	37.7	2800	40	450
KVC/KVCX 55/80 T		3x230/400V ~	2.36	1.85	2.5	7.5 - 4.3	IE2	11.5 - 6.6	2800	-	-
KVC/KVCX 55/80 T IE3		3x230/400V ~	2.28	1.85	2.5	6.8 - 3.9	IE3	10.4 - 6	2800	-	-
KVC/KVCX 65/80 T	7	3x230/400V ~	2.67	2.2	3	8.3 - 4.8	IE2	11.6 - 6.7	2800	-	-
KVC/KVCX 65/80 T IE3		3x230/400V ~	2.66	2.2	3	7.7 - 4.4	IE3	12.3 - 7.1	2800	-	-

MODEL	EXTERNAL DESIGN	A	B	F	H	H1	H2	Ø I	DNA	DNM	PACKING DIMENSIONS			VOLUME (m³)	WEIGHT kg	
											L/A	L/B	H		single-phase	three-phase
KVC 20/80	1	221	250	170	505	60	-	9	G 1" 1/4	G 1" 1/4	300	360	600	0.065	14.7	14.7
KVC 30/80	1	221	250	170	505	60	-	9	G 1" 1/4	G 1" 1/4	300	360	656	0.071	13.7	13.9
KVC 40/80	2	221	250	170	560	60	-	9	G 1" 1/4	G 1" 1/4	300	360	656	0.071	18	17.6
KVC 45/80	2	221	250	170	634	60	-	9	G 1" 1/4	G 1" 1/4	300	360	735	0.079	18	17.6
KVC 55/80	2	221	250	170	727	60	-	9	G 1" 1/4	G 1" 1/4	300	360	735	0.079	22	22.1
KVC 65/80	2	221	250	170	727	60	-	9	G 1" 1/4	G 1" 1/4	300	360	760	0.082	22	22.1
KVCX 20/80	1	221	250	170	505	60	184	9	G 1" 1/4	G 1" 1/4	300	360	600	0.065	14.7	14.7
KVCX 30/80	1	221	250	170	505	60	184	9	G 1" 1/4	G 1" 1/4	300	360	656	0.071	13.7	13.9
KVCX 40/80	2	221	250	170	560	60	239	9	G 1" 1/4	G 1" 1/4	300	360	656	0.071	18	17.6
KVCX 45/80	2	221	250	170	634	60	239	9	G 1" 1/4	G 1" 1/4	300	360	735	0.079	18	17.6
KVCX 55/80	2	221	250	170	727	60	332	9	G 1" 1/4	G 1" 1/4	300	360	735	0.079	22	22.1
KVCX 65/80	2	221	250	170	727	60	332	9	G 1" 1/4	G 1" 1/4	300	360	760	0.082	22	22.1

KVC / KVCX 120 - INTEGRAL SHAFT MULTISTAGE VERTICAL CENTRIFUGAL ELECTRIC PUMPS FOR CIVIL AND INDUSTRIAL PRESSURISATION SYSTEMS, PRESSURE UNITS

Pumped liquid temperature range: from 0 °C to +35 °C for domestic use - from 0 °C to +40 °C for the other uses



See hydraulic efficiency details on page 291.

The performance curves are based on kinematic viscosity values = 1 mm²/s and density equal to 1000 kg/m³. Curve tolerance according to ISO 9906.

MODEL	NO. OF IMPELLERS	POWER INPUT 50 Hz	P1 MAX kW	ELECTRICAL DATA						CAPACITOR	
				P2 NOMINAL		In A	MOTOR TYPE	I st. A	1/min.	µF	Vc
				kW	HP						
KVC-KVCX 25/120 M	2	1x220-240 V ~	1.5	1	1.36	6.5	-	30	2800	25	450
KVC-KVCX 25/120 T		3x230-400 V ~	1.5	1	1.36	5-2.9	IE2	22.1-12.8	2800	-	-
KVC-KVCX 25/120 T IE3	3	3x230-400 V ~	1.4	1	1.36	5-2.9	IE3	22.1-12.8	2800	-	-
KVC-KVCX 35/120 M		1x220-240 V ~	1.9	1.1	1.5	7.4	-	30	2800	31.5	450
KVC-KVCX 35/120 T	3	3x230-400 V ~	1.9	1.1	1.5	6-3.5	IE2	31.1-18	2800	-	-
KVC-KVCX 35/120 T IE3		3x230-400 V ~	2	1.1	1.5	6.4-3.7	IE3	32.6-18.8	2800	-	-
KVC-KVCX 45/120 M	4	1x220-240 V ~	2.6	1.85	2.5	12	-	54	2800	40	450
KVC-KVCX 45/120 T		3x230-400 V ~	2.5	1.85	2.5	7.9-4.6	IE2	48.4-28	2800	-	-
KVC-KVCX 45/120 T IE3	5	3x230-400 V ~	2.6	1.85	2.5	7.6-4.4	IE3	46.3-26.8	2800	-	-
KVC-KVCX 60/120 T		3x230-400 V ~	3.1	2.2	3	9.3-5.4	IE2	53-31	2800	-	-
KVC-KVCX 60/120 T IE3	6	3x230-400 V ~	3.1	2.2	3	9-5.2	IE3	51.2-29.58	2800	-	-
KVC-KVCX 70/120 T		3x230-400 V ~	3.8	3	4	11.8-6.8	IE2	78-45	2800	-	-
KVC-KVCX 70/120 T IE3	7	3x230-400 V ~	3.8	3	4	10.9-6.3	IE3	71.9-41.5	2800	-	-
KVC-KVCX 85/120 T		3x230-400 V ~	4.3	3	4	13.5-7.8	IE2	90-53	2800	-	-
KVC-KVCX 85/120 T IE3		3x230-400 V ~	4.2	3	4	12.3-7.1	IE3	81.1-46.8	2800	-	-

MODEL	EXTERNAL DESIGN	A	B	F	H	H1	H2	Ø I	DNA	DNM	PACKING DIMENSIONS			VOLUME (m³)	WEIGHT kg	
											L/A	L/B	H		single-phase	three-phase
KVC 25/120 *	1	221	235	170	450	60	-	9	G 1" 1/4	G 1" 1/4	300	360	585	0.058	17.0	17.1
KVC 35/120 *	2	221	235	170	480	60	-	9	G 1" 1/4	G 1" 1/4	300	360	585	0.061	20.1	20.2
KVC 45/120 *	2	221	235	170	507	60	-	9	G 1" 1/4	G 1" 1/4	300	360	715	0.064	20.2	21.9
KVC 60/120	2	221	235	170	610	60	-	9	G 1" 1/4	G 1" 1/4	300	360	715	0.067	-	21.6
KVC 70/120	2	221	235	170	675	60	-	9	G 1" 1/4	G 1" 1/4	300	360	810	0.074	-	24.0
KVC 85/120	2	221	235	170	702	60	-	9	G 1" 1/4	G 1" 1/4	300	360	810	0.077	-	25.0
KVCX 25/120 *	1	221	235	170	450	60	184	9	G 1" 1/4	G 1" 1/4	300	360	585	0.061	17.0	17.1
KVCX 35/120 *	2	221	235	170	480	60	184	9	G 1" 1/4	G 1" 1/4	300	360	585	0.061	20.1	20.2
KVCX 45/120 *	2	221	235	170	507	60	239	9	G 1" 1/4	G 1" 1/4	300	360	715	0.067	20.2	21.9
KVCX 60/120	2	221	235	170	610	60	239	9	G 1" 1/4	G 1" 1/4	300	360	715	0.065	-	21.6
KVCX 70/120	2	221	235	170	675	60	332	9	G 1" 1/4	G 1" 1/4	300	360	810	0.076	-	24.0
KVCX 85/120	2	221	235	170	702	60	332	9	G 1" 1/4	G 1" 1/4	300	360	810	0.076	-	25.0

* H only valid for the three-phase version