



TECHNICAL DATA

Performance range: flow up to 290 m³/h and max head of 385 m

Max. quantity of sand/silt: 50g/m³

Max. ambient temperature: 30°C (50°C available on request)

Outlet connection diameter (inside threaded): 6"

Nr of starts: refer to the motor specification

Motor Cooling flow: refer to the motor specification

Installation: horizontal or vertical, refer to the motor specification

APPLICATIONS

Multistage mixed-flow borehole electric pumps, completely made in stainless steel (AISI 304L or AISI 316 on request), usable for wells from a minimum diameter equal to pump size or greater and capable of developing a wide range of Flows and Heads.

These pumps can be used in a wide range of lifting, distributing, and pressuring application: domestic and general water supply; sprinkler and drip irrigations systems; fire-fighting installations; lowering of groundwater level; industrial supplies as mining, hot springs, autoclaves and tanks.

These pumps are suitable both for standard water and for aggressive water applications by choosing the proper manufacturing material (AISI 304L or AISI 316) both for hydraulic part and motor.

Special version of motors with PE2+PA windings can be used on request for high-temperature water applications up to maximum 50°C.

Pumps can be installed both vertically and horizontally simply by removing the non-return valve and adding a cooling sleeve to the suction case (the only remark is to check the motor applicability to horizontal operations, refer to the motor specifications section).

CONSTRUCTION FEATURES OF PUMP

Mixed flow pumps with diffusers, impellers, brackets, suction case and discharge case completely made of stainless steel AISI 304 in order to provide maximum strength, durability, wear and tear resistance.

The impellers are balanced and locked to the shaft with a specially shaped collet and nut coupling, in order to guarantee ease-to-assembly feature and avoid vibration sensitive malfunctions and noise increase during rotation.

Rubber bearings that drive the shaft are water lubricated and have sand channels to make enable the sand particles leave the pump with the pumped liquid (maximum permissible sand content 50 gr/m³).

Built-in non returned valve provided in order to minimize local friction losses.

Stainless steel strainer provided in order to prevent particles over a certain size from entering the pump.

Coupling with 6", 8" or 10" motor depending on the power requested by hydraulic part:

- 6GF: 6" canned submersible motor
- TR6: 6" rewindable submersible motor
- TR8: 8" rewindable submersible motor
- TR10: 10" rewindable submersible motor

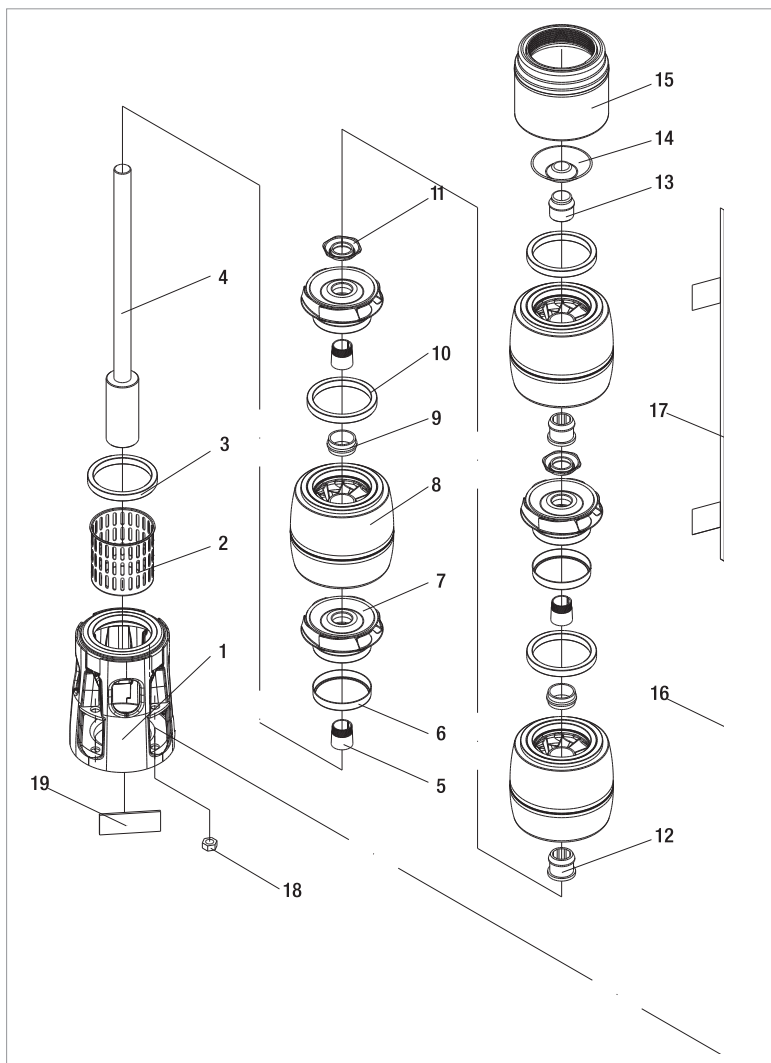
For inverter application refer to the detailed motor specification.

ON REQUEST:

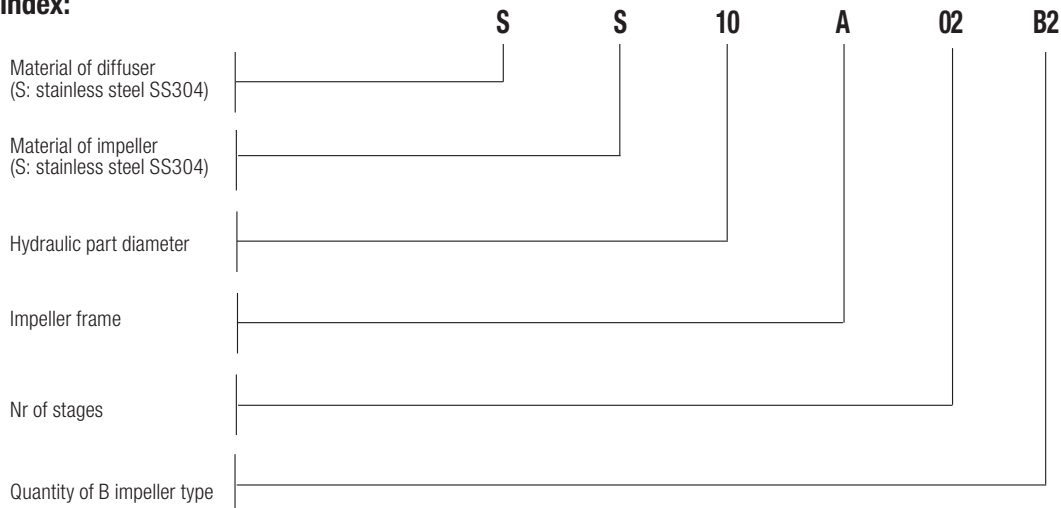
- Pump body stainless steel AISI 316 for aggressive water application
- Impellers stainless steel AISI 316
- Motors in full stainless steel AISI 316 for aggressive water application
- Star/Delta starting version
- Special version of the motor for high temperature application
- Non-standard power coupling

MATERIALS

N°	Part Name	Material
1	Suction Case	Stainless Steel (AISI 304L)
2	Filter	Stainless Steel (AISI 304L)
3	Suction Case Wear Ring	Bronze (ASTM B145-4A)
4	Pump Shaft	Stainless Steel (AISI 420)
5	Collet	Stainless Steel
6	Impeller Wear Ring	STAINLESS STEEL (AISI 304)
7	Impeller	Stainless Steel (AISI 304L)
8	Diffuser	Stainless Steel (AISI 304L)
9	Rubber Bearing	Rubber
10	Diffuser Wear Ring	Rubber
11	Nut for Stop Ring	Stainless Steel (AISI 304L)
12	Bearing	Rubber
13	Shaft Stopper	Bronze (ASTM B145-4A)
14	Valve	Stainless Steel (AISI 304)
15	Discharge Case	Stainless Steel (AISI 304)
16	TIE ROD	STAINLESS STEEL (AISI 304L)
17	CABLE GUARD	STAINLESS STEEL (AISI 304)
18	TIR ROD NUT	STAINLESS STEEL (AISI 303)
19	NAME PLATE	STAINLESS STEEL (AISI 304)



- Denomination index:
(EXAMPLE)



PERFORMANCE 50 Hz - 2 POLES

MODEL	ELECTRICAL DATA		HYDRAULIC DATA											STANDARD MOTOR COUPLING
	P2 NOMINAL		Q=m ³ /h	0	50	100	140	180	200	220	240	260	290	
	kW	HP	Q=l/min	0	833,3	1666,6	2333,3	3000	3333,3	3666,6	4000	4333,3	4833,3	
SS10A 01.B1	15	20	H (mt)	29	27	25	22	20	19	18	16	15	11	6"
SS10A 01	18,5	25		39	36	33	30	27	25	24	22	19	15	6"
SS10A 02.B2	30	40		58	54	49	44	40	37	35	32	29	22	6"
SS10A 02	37	50		77	72	66	59	53	50	47	44	39	30	6"
SS10A 03.B3	45	60		87	81	74	66	59	56	53	49	44	34	8"
SS10A 03.B1	55	75		106	99	91	81	73	69	65	60	53	41	8"
SS10A 03	63	85		116	108	99	89	80	75	71	65	58	45	8"
SS10A 04.B2	75	100		135	126	115	103	93	88	82	76	68	53	8"
SS10A 04	75	100		155	145	132	119	106	100	94	87	78	60	8"
SS10A 05	92	125		194	181	165	148	133	125	118	109	97	75	8"
SS10A 06	110	150		232	217	198	178	159	151	141	131	117	91	8"
SS10A 07	132	180		271	253	231	207	186	176	165	152	136	106	10"
SS10A 08	147	200		310	289	264	237	212	201	189	174	156	121	10"
SS10A 09	170	230		349	325	298	267	239	226	212	196	175	136	10"
SS10A 10	190	260	387	362	331	296	265	251	236	218	195	151	10"	

SS10A

SUBMERSIBLE ELECTRIC PUMPS 10"

ELECTRICAL DATA AND DIMENSIONS

MODEL	MOTOR *	ELECTRICAL DATA				HORIZONTAL INSTALLATION	L2 mm	L mm	L1 mm	D mm	D1 mm	TOTAL WEIGHT Kg
		P2 NOMINAL		In A	OPERATING BY INVERTER							
		kW	HP									
SS10A 01.B1	6GF	15	20	33,4	●	●	1579	785	794	141	247	103
	TR6	15	20	32	○	●	1791	997	794	144	247	121
SS10A 01	6GF	18,5	25	41	●	●	1654	860	794	141	247	111
	TR6	18,5	25	39	○	●	1851	1057	794	144	247	127
SS10A 02.B2	6GF	30	40	61,5	●	●	2020	1050	970	141	247	141,8
	TR6	30	40	65	○	●	2182	1212	970	144	247	165
SS10A 02	6GF	37	50	79,3	●	●	2150	1180	970	141	247	153,8
	TR6	37	50	80	○	●	2282	1312	970	144	247	175
SS10A 03.B3	TR8	45	60	92	○	●	2417	1270	1147	192	247	243
SS10A 03.B1	TR8	55	75	109	○	●	2497	1350	1147	192	247	258
SS10A 03	TR8	63	85	126	○	●	2637	1490	1147	192	247	284
SS10A 04.B2	TR8	75	100	145	○	●	2913	1590	1323	192	247	313
SS10A 04	TR8	75	100	145	○	●	2913	1590	1323	192	247	313
SS10A 05	TR8	92	125	177	○	●	3329	1830	1499	192	247	370
SS10A 06	TR8	110	150	213	○	●	3735	2060	1675	192	247	431
SS10A 07	TR10	132	180	257	○	●	3721	1870	1851	232	247	544
SS10A 08	TR10	147	200	300	○	●	4098	2070	2028	232	247	619
SS10A 09	TR10	170	230	348	○	●	4424	2220	2204	232	247	670
SS10A 10	TR10	190	260	405	○	●	4780	2400	2380	232	247	721

* Motor 6GF: 6" canned submersible motors.

Motor TR: 6"-10" rewindable submersible motors.

●	Allowed
○	Only PE2 + PA version

SS10A

SUBMERSIBLE ELECTRIC PUMPS 10"

The performance curves are based on the kinematic viscosity values = 1 mm²/s and density equal to 1000 Kg/m³. Curve tolerance according to ISO 9906.

