

BPH / BMH / DPH / DMH

WET ROTOR CIRCULATORS

ONLY FOR
EXTRA
MARKETS **EU**



DPH - DMH



BPH - BMH

TECHNICAL DATA

Operating range: from 1,5 a 78 m³/h with head of up to 18 metres.

Liquid temperature range: for three-phase version: from -10°C to +120°C (for the models BPH-DPH 150/340.65 T and BPH-DPH 150/360.80 T; BPH-DPH 150-180/280.50 T; BPH-DPH 180/340.65 T; BPH-DPH 180/360.80 T: from -10°C to +110°C).

Pumped liquid: clean, free of solids and mineral oils, non-viscous, chemically neutral, with properties similar to water. (glycol max 30%).

Maximum operating pressure: 10 bar (1000 kPa).

Standard flanges: DN 80 in PN 6 / PN 10 (4 holes).

Minimum suction pressure: the values are shown in the corresponding tables.

Installation: with HORIZONTAL MOTOR AXIS, on the delivery or return piping, with the suction port as close as possible to the expansion vessel, above the level of the boiler and as far as possible from bends, elbows, branches, to avoid water turbulence, and the consequent noise.

Special executions on requests: alternative voltages and frequencies. DN 80 in PN 10 / PN 16 (8 holes) flange.

Accessories: DN 40, DN 50, DN 65, DN 80 in PN 6 / PN 10 (4 slots).

APPLICATIONS

Pump for the circulation of water in residential and industrial collective heating and air conditioning systems. All the models are available both in the single and twin version.

CONSTRUCTION FEATURES

Single body consisting of the cast iron hydraulic section, and the wet rotor motor.

Aluminium motor casing. Flanged suction and delivery ports with threaded connectors for control manometers. Technopolymer impeller, tempered stainless steel motor shaft on graphite bushings lubricated by the pumped liquid. Stainless steel rotor protection liner and stator liner. Ceramic thrust ring, ethylene-propylene seal rings, and brass air breather plug. Asynchronous four-pole motor for the BMH and DMH versions, two poles for the BPH and DPH versions. The single-phase circulator has been designed for three-speed operation at 230 V, while the three-phase circulator has been designed for two-speed operation at 230 V, and 3-speed operation at 400 V. In both cases, the speed is adjusted through a special selector in the terminal box, in order to adapt the operation of the circulator to the characteristics of the system.

Built-in thermal protection in the single-phase version. For the three-phase version, the motor must be connected to the power input using an external contactor. The contactor must be connected to the thermal protection built in the motor, in order to protect it from overload at all speeds.

The twin version features an automatic swing check valve incorporated in the delivery port, to avoid water recirculating through the unit when this is not running; in addition, a blank flange is also supplied as standard, to allow either of the two motors to be removed for servicing. The standard execution of the pump body is in PN 10, compatible with PN 6 pumps to ensure interchangeability of the pumps in existing systems.

Circulator protection class: IP 44 for both the single-phase and the three-phase version

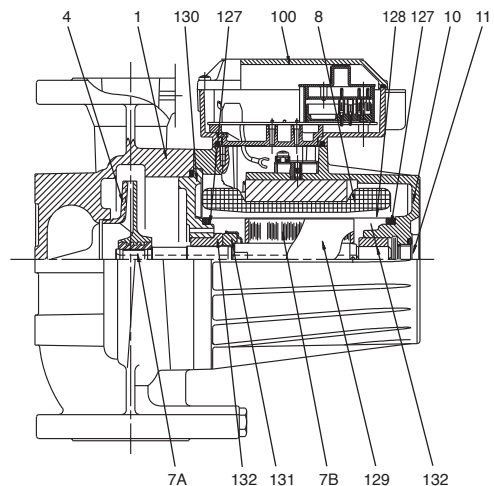
Insulation class: H - Cable gland: PG 11

Standard voltage: three-phase 230/400 V, 50 Hz

Product compliant with European Standards EN 60335-2-51

MATERIALS

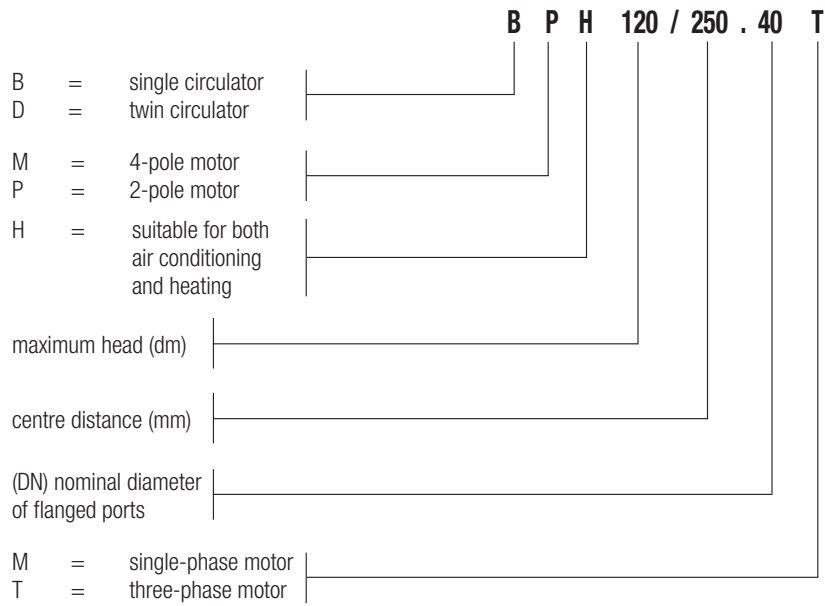
| N. | PARTS | MATERIALS |
|-----|---------------------|--------------------------------------------------------------|
| 1 | PUMP BODY | CAST IRON 200 UNI ISO 185 |
| 4 | IMPELLER | TECHNOPOLYMER B |
| 7A | MOTOR SHAFT | AISI 420 C QUENCHED AND TEMPERED STAINLESS STEEL |
| 7B | ROTOR | - |
| 8 | STATOR | - |
| 10 | MOTOR CASING | DIE-CAST ALUMINIUM |
| 11 | BREATHER PLUG | BRASS P Cu Zn 40 Pb2 UNI 5705 |
| 100 | TERMINAL BOX | - |
| 127 | SEAL RING | ETHYLENE PROPYLENE (EPDM) |
| 128 | STATOR LINER | AISI 321 STAINLESS STEEL AISI 304 - QUENCHED AND TEMPERED |
| 129 | ROTOR LINER | AISI 321 STAINLESS STEEL AISI 304 - QUENCHED AND TEMPERED |
| 130 | CLOSING FLANGE | CAST IRON 200 UNI ISO 185 |
| 131 | THRUST RING SUPPORT | AISI 304 L STAINLESS STEEL |
| 132 | BUSHINGS | EC 941 CARBON |



BPH / BMH / DPH / DMH

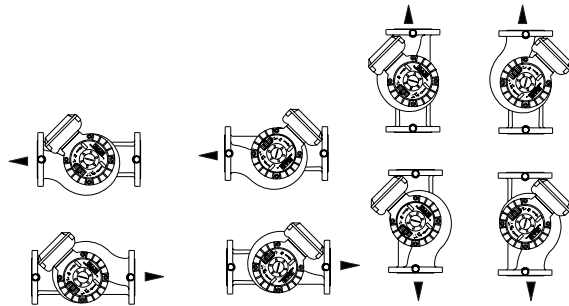
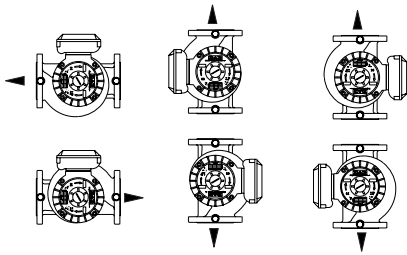
WET ROTOR CIRCULATORS

– Legend:
(example)

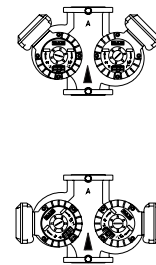
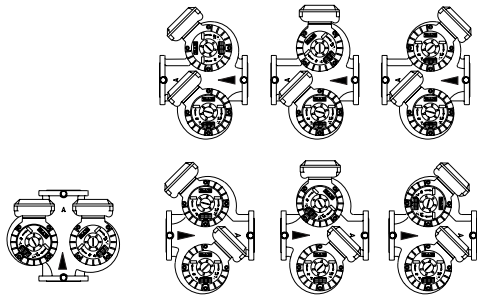


TERMINAL BOX POSITION

SINGLE



TWIN



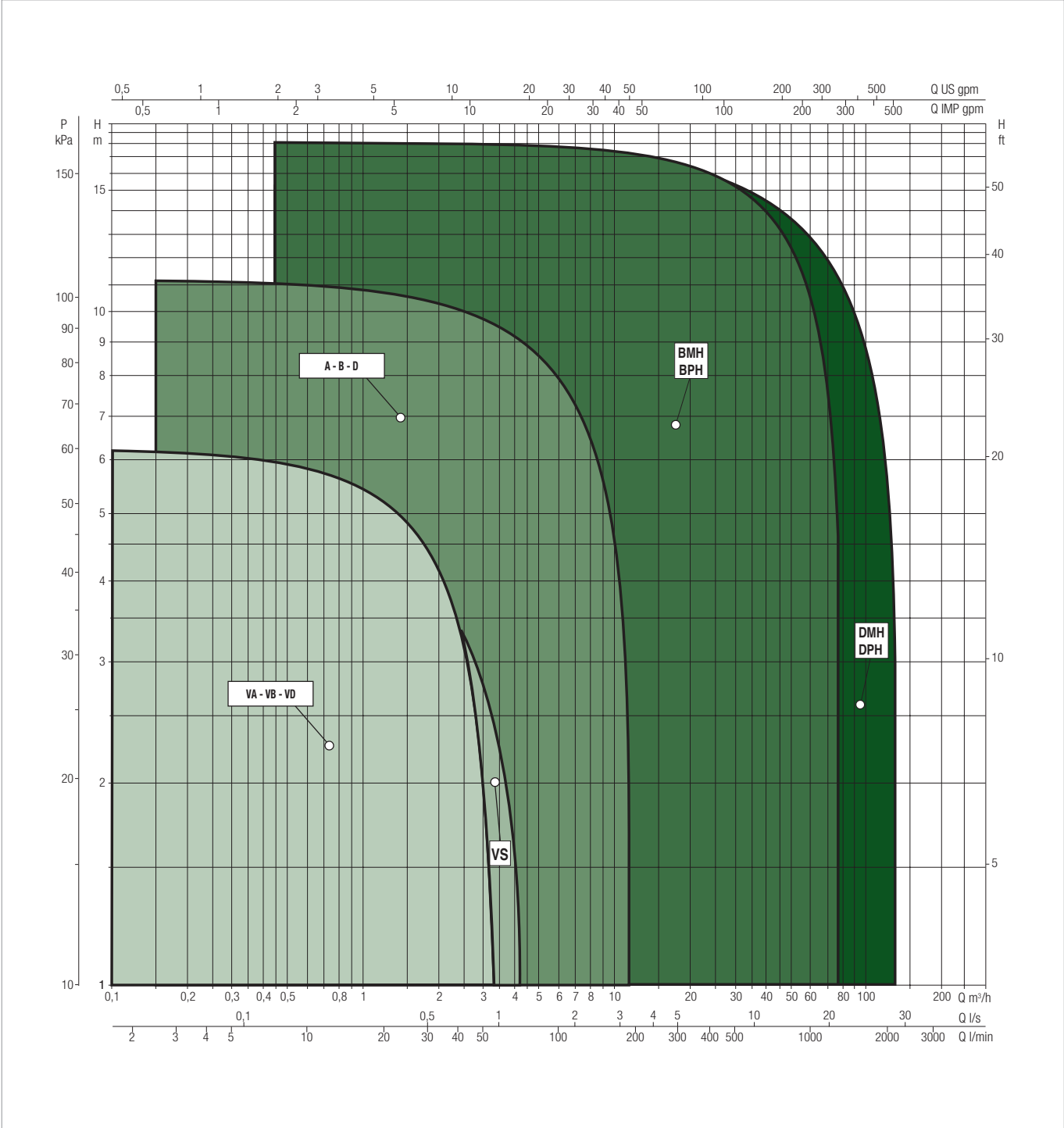
BPH / BMH / DPH / DMH

WET ROTOR CIRCULATORS

PERFORMANCE RANGE

The performance curves are based on kinematic viscosity values = 1 mm²/s and density equal to 1000 kg/m³. Curve tolerance according to ISO 9906.

GRAPHIC SELECTION TABLE



WET ROTOR CIRCULATORS

BPH / BMH / DPH / DMH

WET ROTOR CIRCULATORS

SELECTION TABLE - BPH / BMH

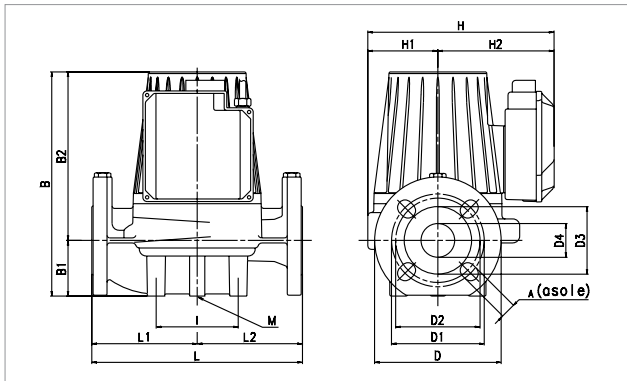
| MODEL | Q=m ³ /h | 0 | 1,8 | 2,4 | 3 | 4,2 | 5,4 | 7,2 | 9,6 | 12 | 14,4 | 18 | 24 | 30 | 36 | 42 | 54 | 72 | |
|------------------|---------------------|------|------|------|------|-------|-------|-------|-------|-------|-------|-------|-------|------|------|------|------|------|--|
| | Q=l/min | 0 | 30 | 40 | 50 | 70 | 90 | 120 | 160 | 200 | 240 | 300 | 400 | 500 | 600 | 700 | 900 | 1200 | |
| BMH 30/250.40 T | | 3,3 | 3,1 | 2,95 | 2,85 | 2,5 | 2,1 | 1,15 | | | | | | | | | | | |
| BPH 60/250.40 M | H (m) | 7,2 | 6,8 | 6,7 | 6,5 | 6,2 | 5,8 | 5 | 3,7 | 2 | | | | | | | | | |
| BPH 60/250.40 T | | 7,65 | 7,4 | 7,3 | 7,2 | 6,8 | 6,4 | 5,45 | 3,9 | 2,25 | | | | | | | | | |
| BPH 120/250.40 M | | 11 | 10,3 | 10,1 | 9,8 | 9,2 | 8,6 | 7,65 | 6,2 | 4,35 | 2,4 | | | | | | | | |
| BPH 120/250.40 T | | 12 | | 11 | 10,7 | 10,1 | 9,5 | 8,4 | 6,8 | 4,7 | 2,2 | | | | | | | | |
| BMH 30/280.50 T | | 3,15 | | 3,02 | 3 | 2,93 | 2,85 | 2,65 | 2,3 | 1,75 | 1,2 | | | | | | | | |
| BMH 60/280.50 T | | 5,83 | | 5,65 | 5,6 | 5,49 | 5,35 | 5,1 | 4,75 | 4,2 | 3,65 | 2,62 | | | | | | | |
| BPH 60/280.50 M | | 7,65 | 7,5 | 7,45 | 7,4 | 7,3 | 7,2 | 6,98 | 6,7 | 6,2 | 5,75 | 4,6 | 2,3 | | | | | | |
| BPH 60/280.50 T | | 7,95 | | 7,75 | 7,7 | 7,6 | 7,5 | 7,35 | 6,92 | 6,45 | 5,85 | 4,65 | 2,4 | | | | | | |
| BPH 120/280.50 M | | 11,3 | | | | 10,8 | 10,5 | 10,3 | 9,9 | 9,4 | 8,5 | 7,2 | 4,8 | 2,1 | | | | | |
| BPH 120/280.50 T | | 11,7 | | | | 11,3 | 11 | 10,75 | 10,25 | 9,6 | 8,9 | 7,75 | 5,4 | 2,6 | | | | | |
| BPH 150/280.50 T | | 15 | | | | 14,6 | 14,4 | 14 | 13,6 | 12,7 | 11,8 | 10,5 | 7,5 | | | | | | |
| BPH 180/280.50 T | | 18,4 | | | | | | 17,4 | 17 | 16,4 | 15,6 | 14,4 | 12 | 8,8 | 5,2 | | | | |
| BMH 30/340.65 T | | 3,15 | | | | 3,09 | 3,02 | 2,98 | 2,85 | 2,55 | 2,25 | 1,65 | | | | | | | |
| BMH 60/340.65 T | | 5,4 | | | | 5,15 | 5,05 | 4,9 | 4,7 | 4,45 | 4,1 | 3,45 | 2,25 | | | | | | |
| BPH 60/340.65 M | | 6,8 | 6,79 | 6,75 | 6,7 | 6,6 | 6,57 | 6,5 | 6,35 | 6,2 | 5,95 | 5,5 | 4,35 | 2,85 | 1,2 | | | | |
| BPH 60/340.65 T | | 7,4 | | | | 7,35 | 7,3 | 7,24 | 7,1 | 6,9 | 6,65 | 6,15 | 4,9 | 3,3 | 1,4 | | | | |
| BPH 120/340.65 T | | 10,9 | | | | 10,75 | 10,68 | 10,6 | 10,5 | 10,38 | 10,2 | 9,8 | 8,7 | 7,15 | 5,2 | 3 | | | |
| BPH 150/340.65 T | | 14,9 | | | | 14,88 | 14,83 | 14,75 | 14,65 | 14,55 | 14,3 | 13,88 | 12,65 | 11 | 9,35 | 7,15 | | | |
| BPH 180/340.65 T | | 17,9 | | | | | | 17,8 | 17,7 | 17,5 | 17,3 | 16,8 | 15,7 | 14,1 | 12,1 | 10 | | | |
| BMH 30/360.80T | | 3,9 | | | | | | 3,85 | 3,8 | 3,75 | 3,65 | 3,48 | 3,1 | 2,45 | 1,75 | | | | |
| BMH 60/360.80T | | 5,7 | | | | | | 5,66 | 5,61 | 5,59 | 5,5 | 5,4 | 5 | 4,55 | 3,9 | 3,1 | | | |
| BPH 120/360.80 T | | 11,8 | | | | | | 11,65 | 11,58 | 11,5 | 11,4 | 11,25 | 10,75 | 10,2 | 9,39 | 8,37 | 5,65 | | |
| BPH 150/360.80 T | | 15,3 | | | | | | 15,1 | 15,06 | 14,99 | 14,92 | 14,75 | 14,5 | 14 | 13,4 | 12,4 | 10,3 | 6 | |
| BPH 180/360.80 T | | 17,5 | | | | | | 17,4 | 17,25 | 17,1 | 16,8 | 16,25 | 15 | 13,7 | 12 | 10,1 | 5,5 | | |

SELECTION TABLE - DPH / DMH

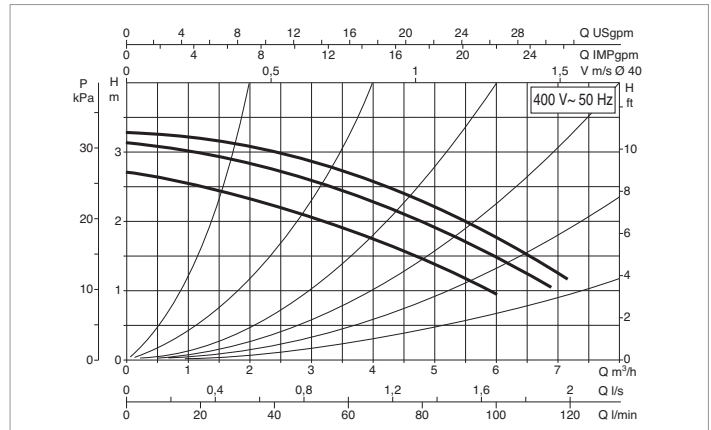
| MODEL | Q=m ³ /h | 0 | 1,8 | 2,4 | 3 | 4,2 | 5,4 | 7,2 | 9,6 | 12 | 14,4 | 18 | 24 | 30 | 36 | 42 | 54 | 72 | |
|------------------|---------------------|------|------|------|------|-------|-------|-------|-------|-------|-------|-------|-------|------|------|------|------|------|--|
| | Q=l/min | 0 | 30 | 40 | 50 | 70 | 90 | 120 | 160 | 200 | 240 | 300 | 400 | 500 | 600 | 700 | 900 | 1200 | |
| DMH 30/250.40 T | | 3,3 | 3,1 | 2,95 | 2,85 | 2,5 | 2,1 | 1,15 | | | | | | | | | | | |
| DPH 60/250.40 M | H (m) | 7,2 | 6,8 | 6,7 | 6,5 | 6,2 | 5,8 | 5 | 3,7 | 2 | | | | | | | | | |
| DPH 60/250.40 T | | 7,65 | 7,4 | 7,3 | 7,2 | 6,8 | 6,4 | 5,45 | 3,9 | 2,25 | | | | | | | | | |
| DPH 120/250.40 M | | 11 | 10,3 | 10,1 | 9,8 | 9,2 | 8,6 | 7,65 | 6,2 | 4,35 | 2,4 | | | | | | | | |
| DPH 120/250.40 T | | 12 | | 11 | 10,7 | 10,1 | 9,5 | 8,4 | 6,8 | 4,7 | 2,2 | | | | | | | | |
| DMH 30/280.50 T | | 3,15 | | 3,02 | 3 | 2,93 | 2,85 | 2,65 | 2,3 | 1,75 | 1,2 | | | | | | | | |
| DMH 60/280.50 T | | 5,83 | | 5,65 | 5,6 | 5,49 | 5,35 | 5,1 | 4,75 | 4,2 | 3,65 | 2,62 | | | | | | | |
| DPH 60/280.50 M | | 7,65 | 7,5 | 7,45 | 7,4 | 7,3 | 7,2 | 6,98 | 6,7 | 6,2 | 5,75 | 4,6 | 2,3 | | | | | | |
| DPH 60/280.50 T | | 7,95 | | 7,75 | 7,7 | 7,6 | 7,5 | 7,35 | 6,92 | 6,45 | 5,85 | 4,65 | 2,4 | | | | | | |
| DPH 120/280.50 M | | 11,3 | | | | 10,8 | 10,5 | 10,3 | 9,9 | 9,4 | 8,5 | 7,2 | 4,8 | 2,1 | | | | | |
| DPH 120/280.50 T | | 11,7 | | | | 11,3 | 11 | 10,75 | 10,25 | 9,6 | 8,9 | 7,75 | 5,4 | 2,6 | | | | | |
| DPH 150/280.50 T | | 15 | | | | 14,6 | 14,4 | 14 | 13,6 | 12,7 | 11,8 | 10,5 | 7,5 | | | | | | |
| DPH 180/280.50 T | | 18,4 | | | | | | 17,4 | 17 | 16,4 | 15,6 | 14,4 | 12 | 8,8 | 5,2 | | | | |
| DMH 30/340.65 T | | 3,15 | | | | 3,09 | 3,02 | 2,98 | 2,85 | 2,55 | 2,25 | 1,65 | | | | | | | |
| DMH 60/340.65 T | | 5,4 | | | | 5,15 | 5,05 | 4,9 | 4,7 | 4,45 | 4,1 | 3,45 | 2,25 | | | | | | |
| DPH 60/340.65 M | | 6,8 | 6,79 | 6,75 | 6,7 | 6,6 | 6,57 | 6,5 | 6,35 | 6,2 | 5,95 | 5,5 | 4,35 | 2,85 | 1,2 | | | | |
| DPH 60/340.65 T | | 7,4 | | | | 7,35 | 7,3 | 7,24 | 7,1 | 6,9 | 6,65 | 6,15 | 4,9 | 3,3 | 1,4 | | | | |
| DPH 120/340.65 T | | 10,9 | | | | 10,75 | 10,68 | 10,6 | 10,5 | 10,38 | 10,2 | 9,8 | 8,7 | 7,15 | 5,2 | 3 | | | |
| DPH 150/340.65 T | | 14,9 | | | | 14,88 | 14,83 | 14,75 | 14,65 | 14,55 | 14,3 | 13,88 | 12,65 | 11 | 9,35 | 7,15 | | | |
| DPH 180/340.65T | | 17,9 | | | | | | 17,8 | 17,7 | 17,5 | 17,3 | 16,8 | 15,7 | 14,1 | 12,1 | 10 | | | |
| DMH 30/360.80 T | | 3,9 | | | | | | 3,85 | 3,8 | 3,75 | 3,65 | 3,48 | 3,1 | 2,45 | 1,75 | | | | |
| DMH 60/360.80 T | | 5,7 | | | | | | 5,66 | 5,61 | 5,59 | 5,5 | 5,4 | 5 | 4,55 | 3,9 | 3,1 | | | |
| DPH 120/360.80 T | | 11,8 | | | | | | 11,65 | 11,58 | 11,5 | 11,4 | 11,25 | 10,75 | 10,2 | 9,39 | 8,37 | 5,65 | | |
| DPH 150/360.80 T | | 15,3 | | | | | | 15,1 | 15,06 | 14,99 | 14,92 | 14,75 | 14,5 | 14 | 13,4 | 12,4 | 10,3 | 6 | |
| DPH 180/360.80 T | | 17,5 | | | | | | 17,4 | 17,25 | 17,1 | 16,8 | 16,25 | 15 | 13,7 | 12 | 10,1 | 5,5 | | |

BMH 30/250.40 T - WET ROTOR CIRCULATORS FOR HEATING AND AIR CONDITIONING SYSTEMS - SINGOL, FLANGED

Pumped liquid temperature range: from -10 °C to +120 °C - Maximum operating pressure: 10 bar (1000 kPa)



The performance curves are based on kinematic viscosity values = 1 mm²/s and density equal to 1000 kg/m³. Curve tolerance according to ISO 9906.

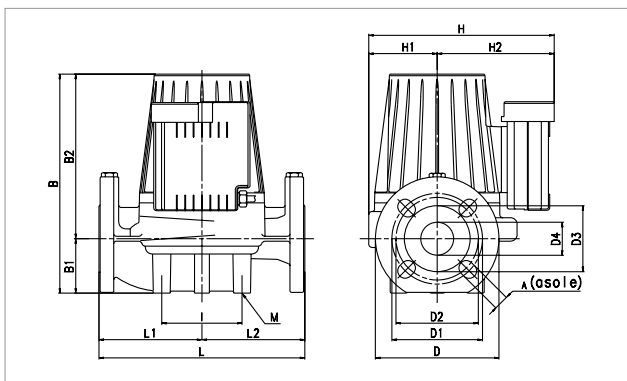


| MODEL | CENTRE DISTANCE mm | FLANGES ON REQUEST | ELECTRICAL DATA | | | | | MINIMUM SUCTION PRESSURE | | | | |
|-----------------|--------------------|--------------------|-------------------|-------|------------|----------|------|--------------------------|-----|-----|------|------|
| | | | POWER INPUT 50 Hz | SPEED | REV. 1/min | P1 MAX W | In A | t° | 75° | 90° | 110° | 120° |
| BMH 30/250.40 T | 250 | DN 40 - PN 10 | 3x230 V ~ | 2 | 1340 | 100 | 0.48 | m.c.a. | 0.9 | 4 | - | 18 |
| | | | 1 | 1260 | 88 | 0.39 | | | | | | |
| | | | 3x400 V ~ | 3 | 1440 | 192 | 0.78 | | | | | |
| | | | 2 | 1430 | 155 | 0.58 | | | | | | |
| | | | 1 | 1260 | 88 | 0.23 | | | | | | |

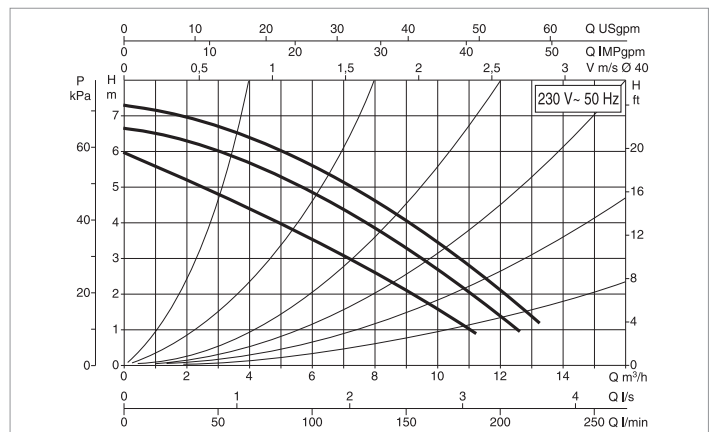
| MODEL | L | L1 | L2 | A | B | B1 | B2 | D | D1 | D2 | D3 | D4 | I | I1 | I2 | I3 | M | H | H1 | H2 | WEIGHT kg |
|-----------------|-----|-----|-----|----|-----|----|-----|-----|-----|-----|----|----|-----|----|----|----|-----|-----|----|-----|-----------|
| BMH 30/250.40 T | 250 | 125 | 125 | 18 | 266 | 66 | 200 | 150 | 110 | 100 | 80 | 40 | 100 | - | - | - | M10 | 221 | 83 | 138 | 17,5 |

BPH 60/250.40 M - WET ROTOR CIRCULATORS FOR HEATING AND AIR CONDITIONING SYSTEMS - SINGOL, FLANGED

Pumped liquid temperature range: from -10 °C to +110 °C - Maximum operating pressure: 10 bar (1000 kPa)



The performance curves are based on kinematic viscosity values = 1 mm²/s and density equal to 1000 kg/m³. Curve tolerance according to ISO 9906.

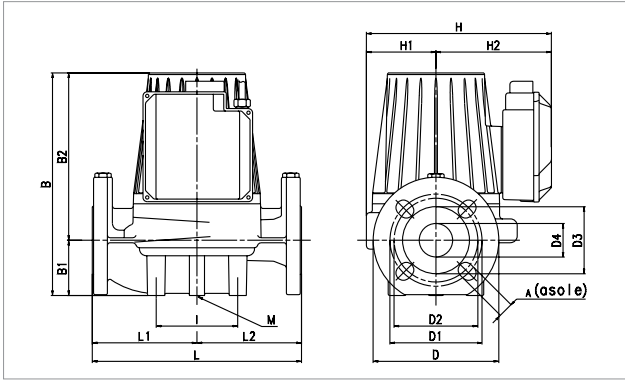


| MODEL | CENTRE DISTANCE mm | FLANGES ON REQUEST | ELECTRICAL DATA | | | | | MINIMUM SUCTION PRESSURE | | | | |
|-----------------|--------------------|--------------------|-------------------|-------|------------|----------|------|--------------------------|-----|-----|------|------|
| | | | POWER INPUT 50 Hz | SPEED | REV. 1/min | P1 MAX W | In A | t° | 75° | 90° | 110° | 120° |
| BPH 60/250.40 M | 250 | DN 40 - PN 10 | - | - | - | - | - | m.c.a. | 1.6 | 4 | 14 | - |
| | | | 1x230 V ~ | 3 | 2830 | 316 | 1.43 | | | | | |
| | | | 2 | 2750 | 309 | 1.53 | | | | | | |
| | | | 1 | 2410 | 292 | 1.51 | | | | | | |

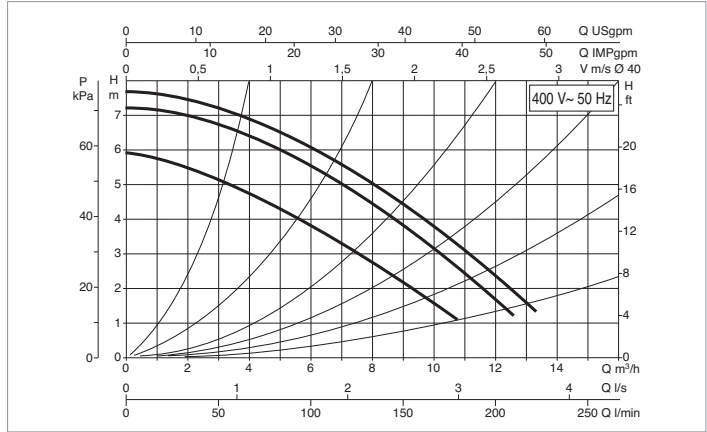
| MODEL | L | L1 | L2 | A | B | B1 | B2 | D | D1 | D2 | D3 | D4 | I | I1 | I2 | I3 | M | H | H1 | H2 | WEIGHT kg |
|-----------------|-----|-----|-----|----|-----|----|-----|-----|-----|-----|----|----|-----|----|----|----|-----|-----|----|-----|-----------|
| BPH 60/250.40 M | 250 | 125 | 125 | 18 | 266 | 66 | 200 | 150 | 110 | 100 | 80 | 40 | 100 | - | - | - | M10 | 221 | 83 | 138 | 17,5 |

BPH 60/250.40 T - WET ROTOR CIRCULATORS FOR HEATING AND AIR CONDITIONING SYSTEMS - SINGOL, FLANGED

Pumped liquid temperature range: from -10 °C to +120 °C - Maximum operating pressure: 10 bar (1000 kPa)



The performance curves are based on kinematic viscosity values = 1 mm²/s and density equal to 1000 kg/m³. Curve tolerance according to ISO 9906.

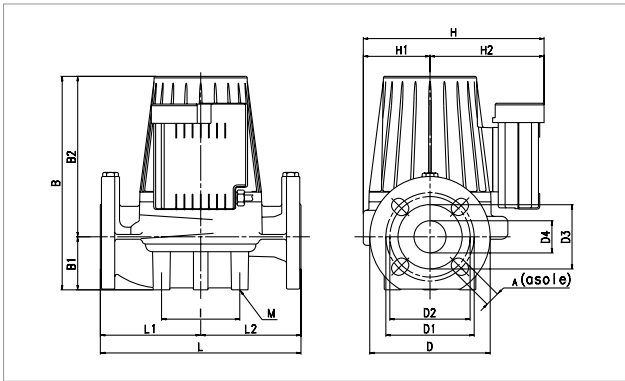


| MODEL | CENTRE DISTANCE mm | FLANGES ON REQUEST | ELECTRICAL DATA | | | | | MINIMUM SUCTION PRESSURE | | | | |
|-----------------|--------------------|--------------------|-------------------|-------|------------|----------|------|--------------------------|-----|-----|------|------|
| | | | POWER INPUT 50 Hz | SPEED | REV. 1/min | P1 MAX W | In A | t° | 75° | 90° | 110° | 120° |
| BPH 60/250.40 T | 250 | DN 40 - PN 10 | 3x230 V ~ | 2 | 2570 | 253 | 0.81 | m.c.a. | 1.6 | 4 | - | 19 |
| | | | 3x400 V ~ | 1 | 2420 | 229 | 0.72 | | | | | |
| | | | | 3 | 2850 | 348 | 0.99 | | | | | |
| | | | | 2 | 2810 | 316 | 0.75 | | | | | |
| | | | | 1 | 2430 | 232 | 0.42 | | | | | |

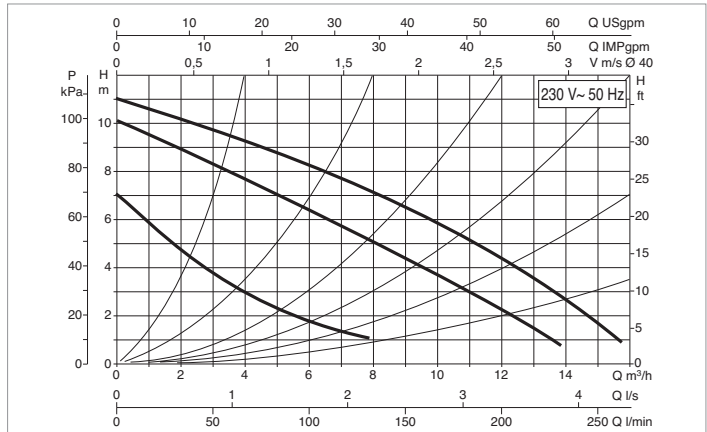
| MODEL | L | L1 | L2 | A | B | B1 | B2 | D | D1 | D2 | D3 | D4 | I | I1 | I2 | I3 | M | H | H1 | H2 | WEIGHT kg |
|-----------------|-----|-----|-----|----|-----|----|-----|-----|-----|-----|----|----|-----|----|----|----|-----|-----|----|-----|-----------|
| BPH 60/250.40 T | 250 | 125 | 125 | 18 | 266 | 66 | 200 | 150 | 110 | 100 | 80 | 40 | 100 | - | - | - | M10 | 221 | 83 | 138 | 17,5 |

BPH 120/250.40 M - WET ROTOR CIRCULATORS FOR HEATING AND AIR CONDITIONING SYSTEMS - SINGOL, FLANGED

Pumped liquid temperature range: from -10 °C to +110 °C - Maximum operating pressure: 10 bar (1000 kPa)



The performance curves are based on kinematic viscosity values = 1 mm²/s and density equal to 1000 kg/m³. Curve tolerance according to ISO 9906.

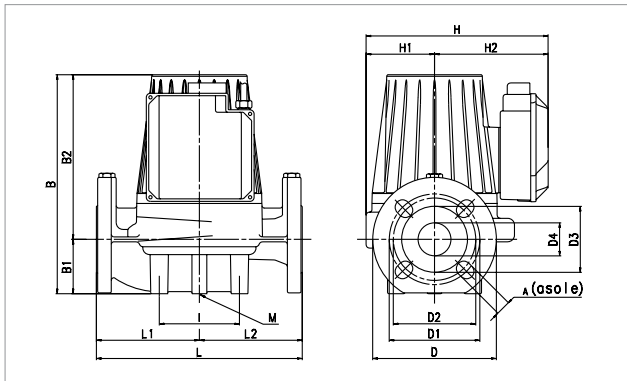


| MODEL | CENTRE DISTANCE mm | FLANGES ON REQUEST | ELECTRICAL DATA | | | | | MINIMUM SUCTION PRESSURE | | | | |
|------------------|--------------------|--------------------|-------------------|-------|------------|----------|------|--------------------------|-----|-----|------|------|
| | | | POWER INPUT 50 Hz | SPEED | REV. 1/min | P1 MAX W | In A | t° | 75° | 90° | 110° | 120° |
| BPH 120/250.40 M | 250 | DN 40 - PN 10 | - | - | - | - | - | m.c.a. | 6 | 9 | 18 | - |
| | | | 1x230 V ~ | 3 | 2650 | 510 | 2.24 | | | | | |
| | | | | 2 | 2320 | 498 | 2.35 | | | | | |
| | | | | 1 | 1520 | 376 | 1.96 | | | | | |

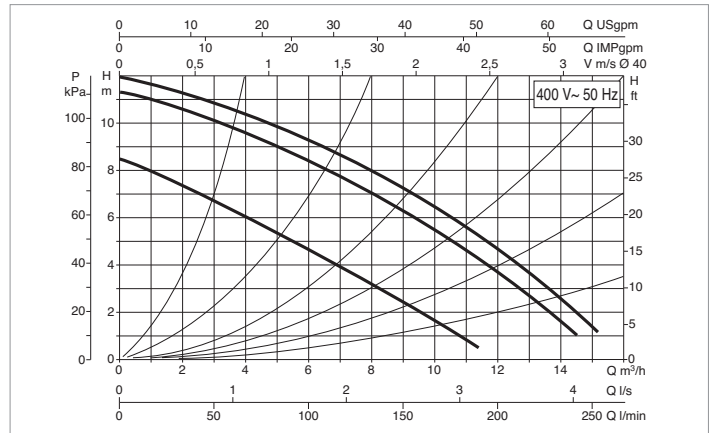
| MODEL | L | L1 | L2 | A | B | B1 | B2 | D | D1 | D2 | D3 | D4 | I | I1 | I2 | I3 | M | H | H1 | H2 | WEIGHT kg |
|------------------|-----|-----|-----|----|-----|----|-----|-----|-----|-----|----|----|-----|----|----|----|-----|-----|----|-----|-----------|
| BPH 120/250.40 M | 250 | 125 | 125 | 18 | 266 | 66 | 200 | 150 | 110 | 100 | 80 | 40 | 100 | - | - | - | M10 | 221 | 83 | 138 | 17,5 |

BPH 120/250.40 T - WET ROTOR CIRCULATORS FOR HEATING AND AIR CONDITIONING SYSTEMS - SINGOL, FLANGED

Pumped liquid temperature range: from -10 °C to +120 °C - Maximum operating pressure: 10 bar (1000 kPa)



The performance curves are based on kinematic viscosity values = 1 mm²/s and density equal to 1000 kg/m³. Curve tolerance according to ISO 9906.

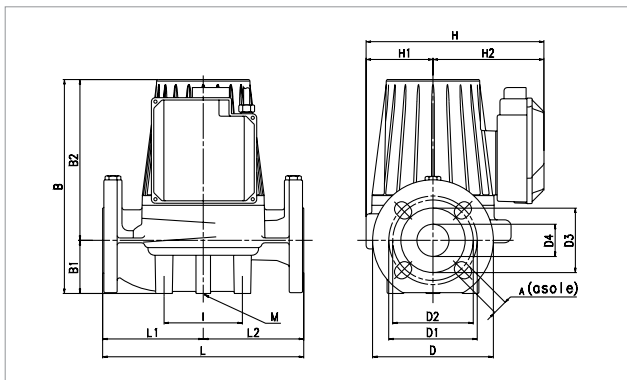


| MODEL | CENTRE DISTANCE mm | FLANGES ON REQUEST | ELECTRICAL DATA | | | | | MINIMUM SUCTION PRESSURE | | | | |
|------------------|--------------------|--------------------|-------------------|-------------|----------------------|-------------------|----------------------|--------------------------|-----|-----|------|------|
| | | | POWER INPUT 50 Hz | SPEED | REV. 1/min | P1 MAX W | In A | t° | 75° | 90° | 110° | 120° |
| | | | | | | | | | | | | |
| BPH 120/250.40 T | 250 | DN 40 - PN 10 | 3x230 V ~ | 2 1 | 2300 2070 | 395 340 | 1.2 1.07 | m.c.a. | 6 | 9 | - | 23 |
| | | | 3x400 V ~ | 3 2 1 | 2780 2710 2080 | 536 499 339 | 1.16 0.98 0.62 | | | | | |

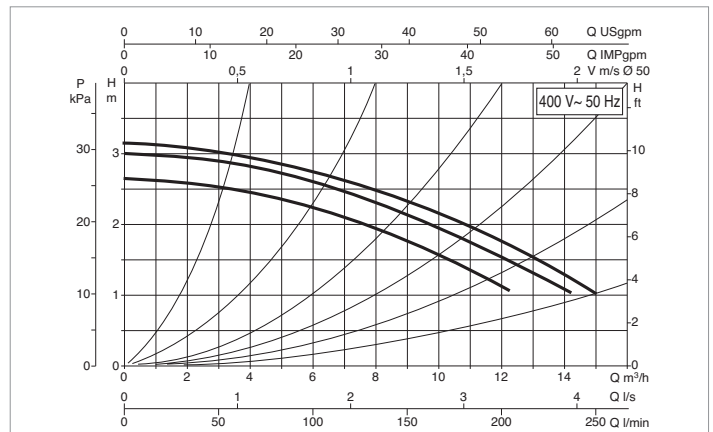
| MODEL | L | L1 | L2 | A | B | B1 | B2 | D | D1 | D2 | D3 | D4 | I | I1 | I2 | I3 | M | H | H1 | H2 | WEIGHT kg |
|------------------|-----|-----|-----|----|-----|----|-----|-----|-----|-----|----|----|-----|----|----|----|-----|-----|----|-----|-----------|
| BPH 120/250.40 T | 250 | 125 | 125 | 18 | 266 | 66 | 200 | 150 | 110 | 100 | 80 | 40 | 100 | - | - | - | M10 | 221 | 83 | 138 | 17,5 |

BMH 30/280.50 T - WET ROTOR CIRCULATORS FOR HEATING AND AIR CONDITIONING SYSTEMS - SINGOL, FLANGED

Pumped liquid temperature range: from -10 °C to +120 °C - Maximum operating pressure: 10 bar (1000 kPa)



The performance curves are based on kinematic viscosity values = 1 mm²/s and density equal to 1000 kg/m³. Curve tolerance according to ISO 9906.

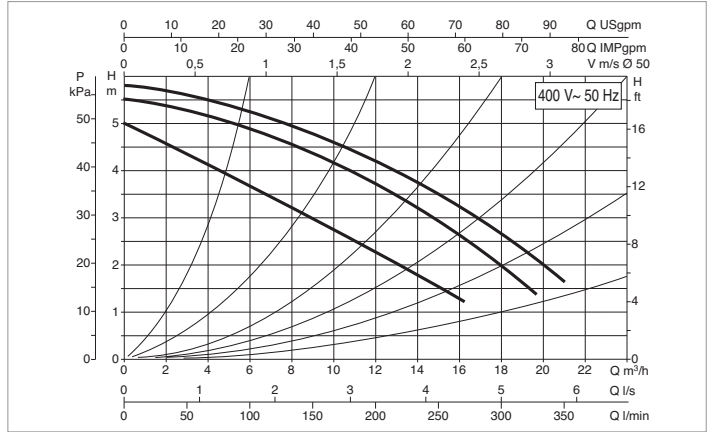
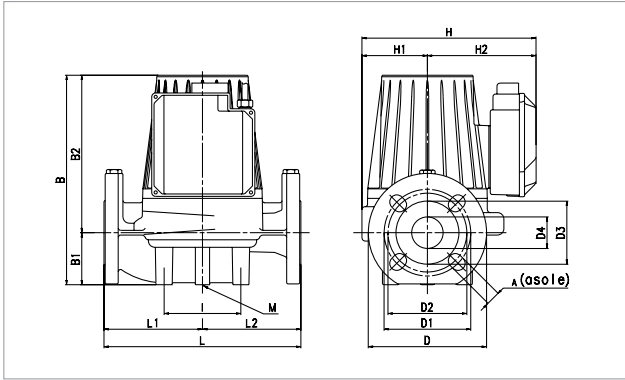


| MODEL | CENTRE DISTANCE mm | FLANGES ON REQUEST | ELECTRICAL DATA | | | | | MINIMUM SUCTION PRESSURE | | | | |
|-----------------|--------------------|--------------------|-------------------|-------------|----------------------|-------------------|----------------------|--------------------------|-----|-----|------|------|
| | | | POWER INPUT 50 Hz | SPEED | REV. 1/min | P1 MAX W | In A | t° | 75° | 90° | 110° | 120° |
| | | | | | | | | | | | | |
| BMH 30/280.50 T | 280 | DN 50 - PN 10 | 3x230 V ~ | 2 1 | 1390 1340 | 148 134 | 0.7 0.55 | m.c.a. | 0.9 | 4 | - | 18 |
| | | | 3x400 V ~ | 3 2 1 | 1460 1450 1350 | 255 216 131 | 1.12 0.83 0.32 | | | | | |

| MODEL | L | L1 | L2 | A | B | B1 | B2 | D | D1 | D2 | D3 | D4 | I | I1 | I2 | I3 | M | H | H1 | H2 | WEIGHT kg |
|-----------------|-----|-----|-----|----|-----|----|-----|-----|-----|-----|----|----|-----|----|----|----|-----|-----|----|-----|-----------|
| BMH 30/280.50 T | 280 | 140 | 140 | 18 | 312 | 73 | 239 | 165 | 125 | 110 | 90 | 50 | 100 | - | - | - | M10 | 254 | 96 | 158 | 24 |

BMH 60/280.50 T - WET ROTOR CIRCULATORS FOR HEATING AND AIR CONDITIONING SYSTEMS - SINGOL, FLANGED

Pumped liquid temperature range: from -10 °C to +120 °C - Maximum operating pressure: 10 bar (1000 kPa)



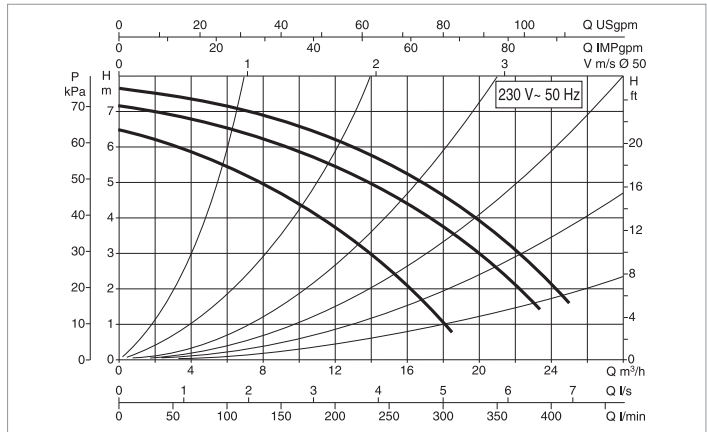
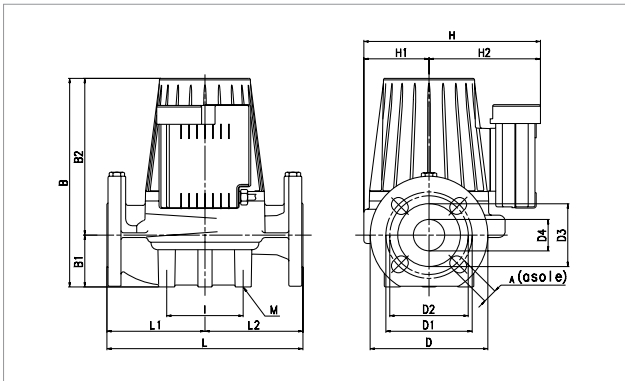
The performance curves are based on kinematic viscosity values = 1 mm²/s and density equal to 1000 kg/m³. Curve tolerance according to ISO 9906.

| MODEL | CENTRE DISTANCE mm | FLANGES ON REQUEST | ELECTRICAL DATA | | | | | MINIMUM SUCTION PRESSURE | | | | |
|-----------------|--------------------|--------------------|-------------------|-------------|----------------------|-------------------|---------------------|--------------------------|-----|-----|------|------|
| | | | POWER INPUT 50 Hz | SPEED | REV. 1/min | P1 MAX W | In A | t° | 75° | 90° | 110° | 120° |
| | | | | | | | | m.c.a. | 4 | 7.5 | - | 21 |
| BMH 60/280.50 T | 280 | DN 50 - PN 10 | 3x230 V ~ | 2 1 | 1210 1120 | 272 240 | 0.94 0.8 | | | | | |
| | | | 3x400 V ~ | 3 2 1 | 1400 1360 1130 | 410 367 235 | 1.2 0.95 0.46 | | | | | |

| MODEL | L | L1 | L2 | A | B | B1 | B2 | D | D1 | D2 | D3 | D4 | I | I1 | I2 | I3 | M | H | H1 | H2 | WEIGHT kg |
|-----------------|-----|-----|-----|----|-----|----|-----|-----|-----|-----|----|----|-----|----|----|----|-----|-----|----|-----|-----------|
| BMH 60/280.50 T | 280 | 140 | 140 | 18 | 312 | 73 | 239 | 165 | 125 | 110 | 90 | 50 | 100 | - | - | - | M10 | 254 | 96 | 158 | 24 |

BPH 60/280.50 M - WET ROTOR CIRCULATORS FOR HEATING AND AIR CONDITIONING SYSTEMS - SINGOL, FLANGED

Pumped liquid temperature range: from -10 °C to +110 °C - Maximum operating pressure: 10 bar (1000 kPa)



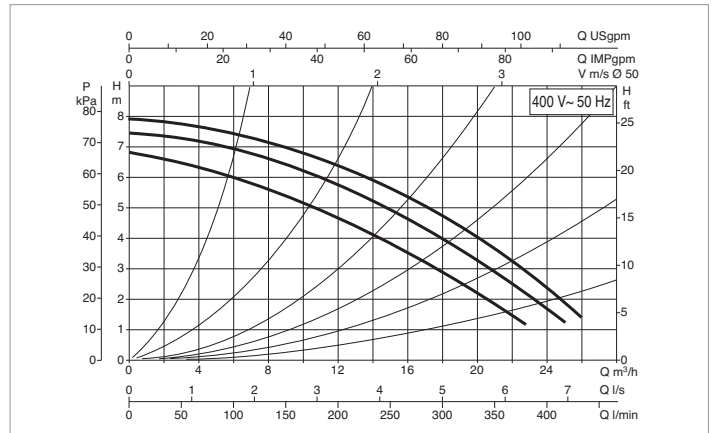
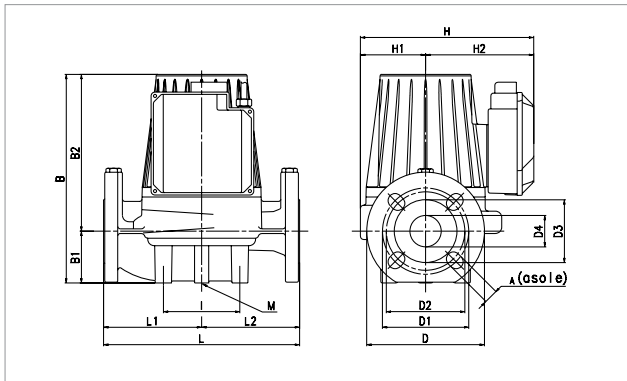
The performance curves are based on kinematic viscosity values = 1 mm²/s and density equal to 1000 kg/m³. Curve tolerance according to ISO 9906.

| MODEL | CENTRE DISTANCE mm | FLANGES ON REQUEST | ELECTRICAL DATA | | | | | MINIMUM SUCTION PRESSURE | | | | |
|-----------------|--------------------|--------------------|-------------------|-------------|----------------------|-------------------|----------------------|--------------------------|-----|-----|------|------|
| | | | POWER INPUT 50 Hz | SPEED | REV. 1/min | P1 MAX W | In A | t° | 75° | 90° | 110° | 120° |
| | | | | | | | | m.c.a. | 1.6 | 6 | 14 | - |
| BPH 60/280.50 M | 280 | DN 50 - PN 10 | - | - | - | - | - | | | | | |
| | | | 1x230 V ~ | 3 2 1 | 2840 2730 2200 | 595 540 506 | 2.79 2.45 2.58 | | | | | |
| | | | | | | | | | | | | |

| MODEL | L | L1 | L2 | A | B | B1 | B2 | D | D1 | D2 | D3 | D4 | I | I1 | I2 | I3 | M | H | H1 | H2 | WEIGHT kg |
|-----------------|-----|-----|-----|----|-----|----|-----|-----|-----|-----|----|----|-----|----|----|----|-----|-----|-----|-----|-----------|
| BPH 60/280.50 M | 280 | 140 | 140 | 18 | 312 | 73 | 239 | 165 | 125 | 110 | 90 | 50 | 100 | - | - | - | M10 | 254 | 156 | 158 | 24 |

BPH 60/280.50 T - WET ROTOR CIRCULATORS FOR HEATING AND AIR CONDITIONING SYSTEMS - SINGOL, FLANGED

Pumped liquid temperature range: from -10 °C to +120 °C - Maximum operating pressure: 10 bar (1000 kPa)



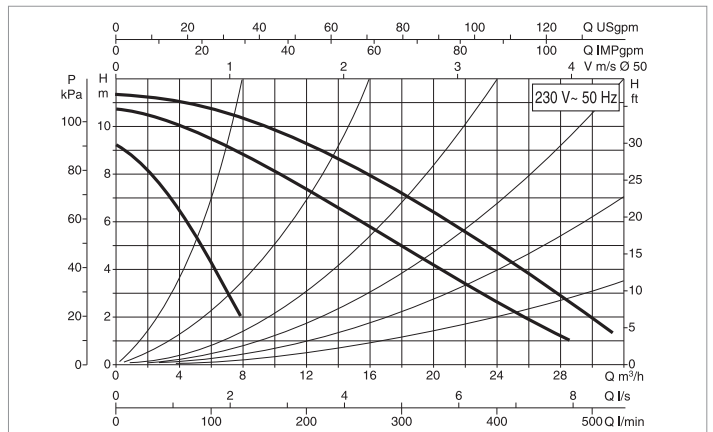
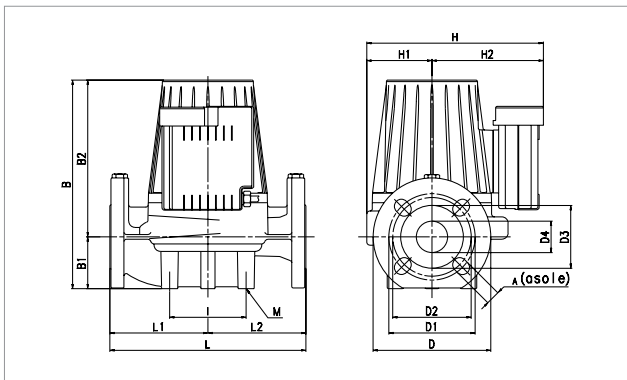
The performance curves are based on kinematic viscosity values = 1 mm²/s and density equal to 1000 kg/m³. Curve tolerance according to ISO 9906.

| MODEL | CENTRE DISTANCE mm | FLANGES ON REQUEST | ELECTRICAL DATA | | | | | MINIMUM SUCTION PRESSURE | | | | |
|-----------------|--------------------|--------------------|-------------------|-------------|----------------------|-------------------|---------------------|--------------------------|-----|-----|------|------|
| | | | POWER INPUT 50 Hz | SPEED | REV. 1/min | P1 MAX W | In A | t° | 75° | 90° | 110° | 120° |
| | | | | | | | | | | | | |
| BPH 60/280.50 T | 280 | DN 50 - PN 10 | 3x230 V ~ | 2 1 | 2670 2570 | 464 432 | 1.35 1.23 | m.c.a. | 1.6 | 6 | - | 19 |
| | | | 3x400 V ~ | 3 2 1 | 2890 2860 2570 | 589 546 423 | 1.31 1.1 0.71 | | | | | |

| MODEL | L | L1 | L2 | A | B | B1 | B2 | D | D1 | D2 | D3 | D4 | I | I1 | I2 | I3 | M | H | H1 | H2 | WEIGHT kg |
|-----------------|-----|-----|-----|----|-----|----|-----|-----|-----|-----|----|----|-----|----|----|----|-----|-----|-----|-----|-----------|
| BPH 60/280.50 T | 280 | 140 | 140 | 18 | 312 | 73 | 239 | 165 | 125 | 110 | 90 | 50 | 100 | - | - | - | M10 | 254 | 156 | 158 | 24 |

BPH 120/280.50 M - WET ROTOR CIRCULATORS FOR HEATING AND AIR CONDITIONING SYSTEMS - SINGOL, FLANGED

Pumped liquid temperature range: from -10 °C to + 90 °C - Maximum operating pressure: 10 bar (1000 kPa)



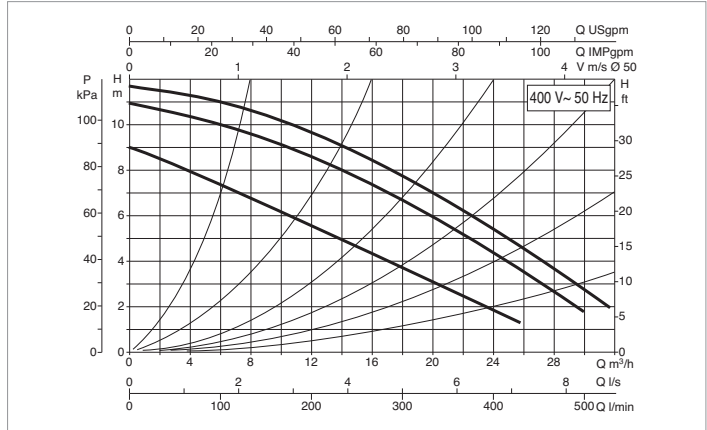
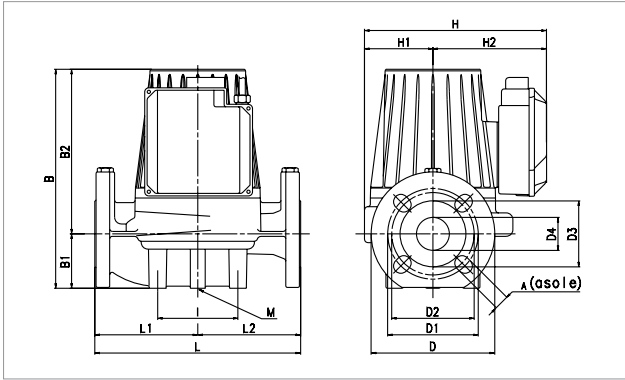
The performance curves are based on kinematic viscosity values = 1 mm²/s and density equal to 1000 kg/m³. Curve tolerance according to ISO 9906.

| MODEL | CENTRE DISTANCE mm | FLANGES ON REQUEST | ELECTRICAL DATA | | | | | MINIMUM SUCTION PRESSURE | | | | |
|------------------|--------------------|--------------------|-------------------|-------------|----------------------|-------------------|----------------------|--------------------------|-----|-----|------|------|
| | | | POWER INPUT 50 Hz | SPEED | REV. 1/min | P1 MAX W | In A | t° | 75° | 90° | 110° | 120° |
| | | | | | | | | | | | | |
| BPH 120/280.50 M | 280 | DN 50 - PN 10 | - | - | - | - | - | m.c.a. | 2 | 5 | - | 20 |
| | | | 1x230 V ~ | 3 2 1 | 2690 2360 1340 | 870 800 590 | 3.97 3.69 3.12 | | | | | |

| MODEL | L | L1 | L2 | A | B | B1 | B2 | D | D1 | D2 | D3 | D4 | I | I1 | I2 | I3 | M | H | H1 | H2 | WEIGHT kg |
|------------------|-----|-----|-----|----|-----|----|-----|-----|-----|-----|----|----|-----|----|----|----|-----|-----|----|-----|-----------|
| BPH 120/280.50 M | 280 | 140 | 140 | 18 | 312 | 73 | 239 | 165 | 125 | 110 | 90 | 50 | 100 | - | - | - | M10 | 254 | 96 | 158 | 24 |

BPH 120/280.50 T - WET ROTOR CIRCULATORS FOR HEATING AND AIR CONDITIONING SYSTEMS - SINGOL, FLANGED

Pumped liquid temperature range: from -10 °C to +120 °C - Maximum operating pressure: 10 bar (1000 kPa)



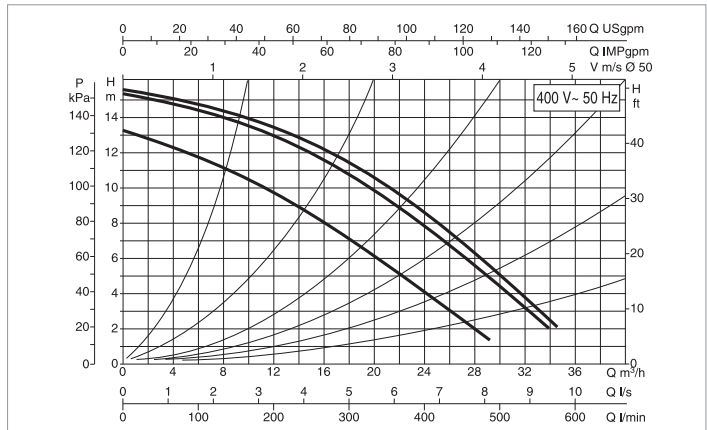
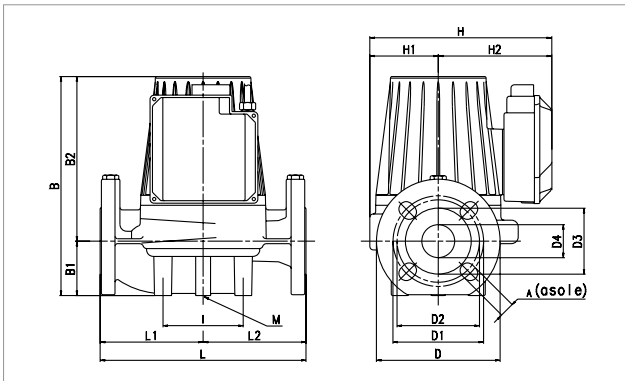
The performance curves are based on kinematic viscosity values = 1 mm²/s and density equal to 1000 kg/m³. Curve tolerance according to ISO 9906.

| MODEL | CENTRE DISTANCE mm | FLANGES ON REQUEST | ELECTRICAL DATA | | | | | MINIMUM SUCTION PRESSURE | | | | |
|------------------|--------------------|--------------------|-------------------|-------------|----------------------|-------------------|-------------------|--------------------------|-----|-----|------|------|
| | | | POWER INPUT 50 Hz | SPEED | REV. 1/min | P1 MAX W | In A | t° | 75° | 90° | 110° | 120° |
| | | | | | | | | | | | | |
| BPH 120/280.50 T | 280 | DN 50 - PN 10 | 3x230 V ~ | 2 1 | 2430 2240 | 683 605 | 1.95 1.75 | m.c.a. | 2 | 5 | - | 20 |
| | | | 3x400 V ~ | 3 2 1 | 2810 2740 2260 | 898 840 603 | 1.67 1.47 1 | | | | | |

| MODEL | L | L1 | L2 | A | B | B1 | B2 | D | D1 | D2 | D3 | D4 | I | I1 | I2 | I3 | M | H | H1 | H2 | WEIGHT kg |
|------------------|-----|-----|-----|----|-----|----|-----|-----|-----|-----|----|----|-----|----|----|----|-----|-----|----|-----|-----------|
| BPH 120/280.50 T | 280 | 140 | 140 | 18 | 312 | 73 | 239 | 165 | 125 | 110 | 90 | 50 | 100 | - | - | - | M10 | 254 | 96 | 158 | 26 |

BPH 150/280.50 T - WET ROTOR CIRCULATORS FOR HEATING AND AIR CONDITIONING SYSTEMS - SINGOL, FLANGED

Pumped liquid temperature range: from -10 °C to +110 °C - Maximum operating pressure: 10 bar (1000 kPa)



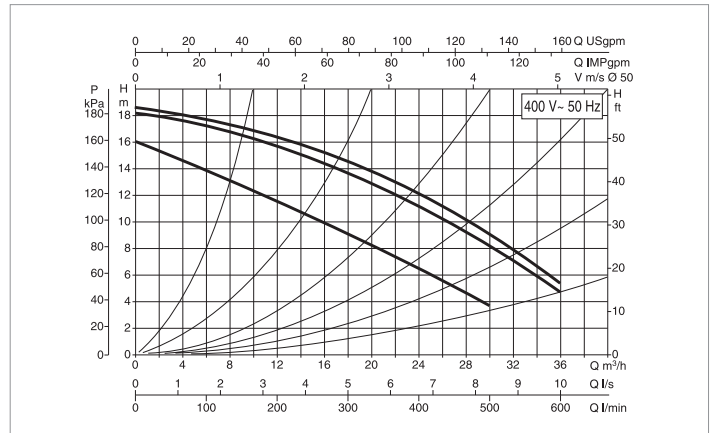
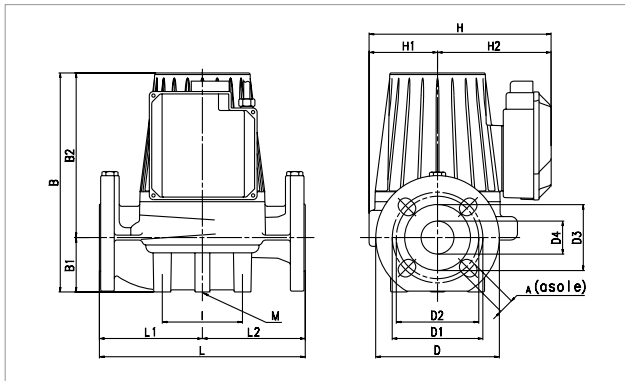
The performance curves are based on kinematic viscosity values = 1 mm²/s and density equal to 1000 kg/m³. Curve tolerance according to ISO 9906.

| MODEL | CENTRE DISTANCE mm | FLANGES ON REQUEST | ELECTRICAL DATA | | | | | MINIMUM SUCTION PRESSURE | | | | |
|------------------|--------------------|--------------------|-------------------|-------------|----------------------|----------------------|-------------------|--------------------------|-----|-----|------|------|
| | | | POWER INPUT 50 Hz | SPEED | REV. 1/min | P1 MAX W | In A | t° | 75° | 90° | 110° | 120° |
| | | | | | | | | | | | | |
| BPH 150/280.50 T | 280 | DN 50 - PN 10 | 3x230 V ~ | 2 1 | 2553 2420 | 1130 1032 | 3.22 3 | m.c.a. | 2 | 5 | - | 20 |
| | | | 3x400 V ~ | 3 2 1 | 2850 2802 2425 | 1470 1360 1030 | 2.9 2.5 1.7 | | | | | |

| MODEL | L | L1 | L2 | A | B | B1 | B2 | D | D1 | D2 | D3 | D4 | I | I1 | I2 | I3 | M | H | H1 | H2 | WEIGHT kg |
|------------------|-----|-----|-----|----|-----|----|-----|-----|-----|-----|----|----|-----|----|----|----|-----|-----|----|-----|-----------|
| BPH 150/280.50 T | 280 | 140 | 140 | 18 | 362 | 73 | 289 | 165 | 125 | 110 | 90 | 50 | 100 | - | - | - | M10 | 254 | 96 | 158 | 26 |

BPH 180/280.50 T - WET ROTOR CIRCULATORS FOR HEATING AND AIR CONDITIONING SYSTEMS - SINGOL, FLANGED

Pumped liquid temperature range: from -10 °C to +120 °C - Maximum operating pressure: 10 bar (1000 kPa)



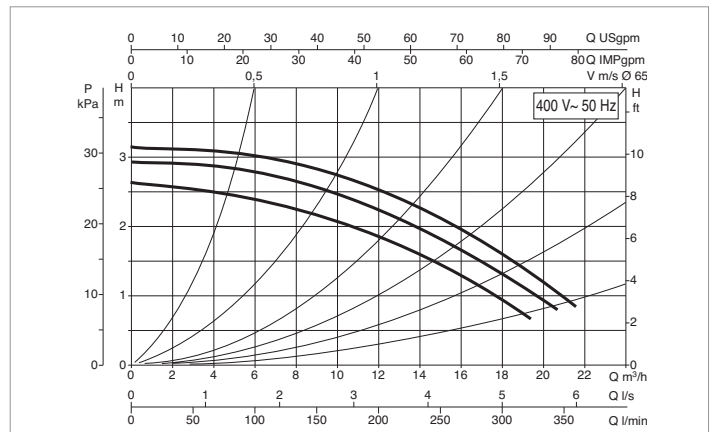
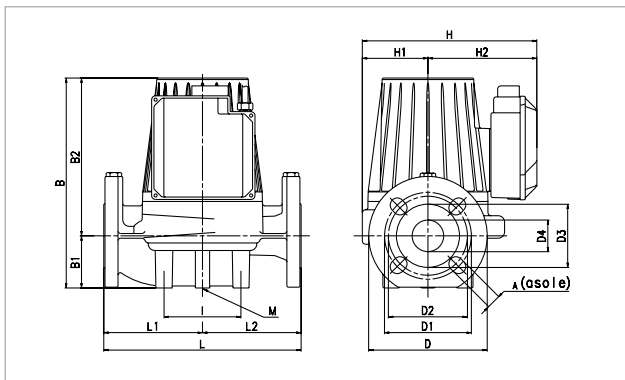
The performance curves are based on kinematic viscosity values = 1 mm²/s and density equal to 1000 kg/m³. Curve tolerance according to ISO 9906.

| MODEL | CENTRE DISTANCE mm | FLANGES ON REQUEST | ELECTRICAL DATA | | | | | MINIMUM SUCTION PRESSURE | | | | |
|------------------|--------------------|--------------------|-------------------|-------------|----------------------|----------------------|-------------------|--------------------------|-----|-----|------|------|
| | | | POWER INPUT 50 Hz | SPEED | REV. 1/min | P1 MAX W | In A | t° | 75° | 90° | 110° | 120° |
| | | | | | | | | | | | | |
| BPH 180/280.50 T | 280 | DN 50 - PN 10 | 3x230 V ~ | 2 1 | 2520 2340 | 1230 1120 | 3,5 3,2 | m.c.a. | 2 | 5 | - | 20 |
| | | | 3x400 V ~ | 3 2 1 | 2830 2780 2360 | 1630 1540 1130 | 3 2,70 1,85 | | | | | |

| MODEL | L | L1 | L2 | A | B | B1 | B2 | D | D1 | D2 | D3 | D4 | I | I1 | I2 | I3 | M | H | H1 | H2 | WEIGHT kg |
|------------------|-----|-----|-----|----|-----|----|-----|-----|-----|-----|----|----|-----|----|----|----|-----|-----|----|-----|-----------|
| BPH 180/280.50 T | 280 | 140 | 140 | 18 | 362 | 73 | 289 | 165 | 125 | 110 | 90 | 50 | 100 | - | - | - | M10 | 254 | 96 | 158 | 26 |

BMH 30/340.65 T - WET ROTOR CIRCULATORS FOR HEATING AND AIR CONDITIONING SYSTEMS - SINGOL, FLANGED

Pumped liquid temperature range: from -10 °C to +120 °C - Maximum operating pressure: 10 bar (1000 kPa)



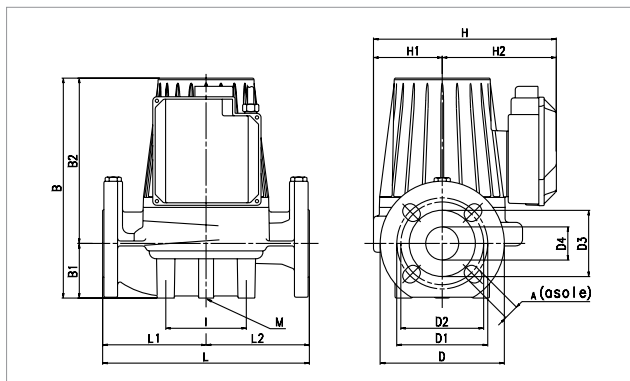
The performance curves are based on kinematic viscosity values = 1 mm²/s and density equal to 1000 kg/m³. Curve tolerance according to ISO 9906.

| MODEL | CENTRE DISTANCE mm | FLANGES ON REQUEST | ELECTRICAL DATA | | | | | MINIMUM SUCTION PRESSURE | | | | |
|-----------------|--------------------|--------------------|-------------------|-------------|----------------------|-------------------|----------------------|--------------------------|-----|-----|------|------|
| | | | POWER INPUT 50 Hz | SPEED | REV. 1/min | P1 MAX W | In A | t° | 75° | 90° | 110° | 120° |
| | | | | | | | | | | | | |
| BMH 30/340.65 T | 340 | DN 65 - PN 10 | 3x230 V ~ | 2 1 | 1360 1310 | 170 154 | 0,73 0,60 | m.c.a. | 4 | 7.5 | - | 21 |
| | | | 3x400 V ~ | 3 2 1 | 1450 1430 1310 | 270 233 150 | 1,12 0,84 0,35 | | | | | |

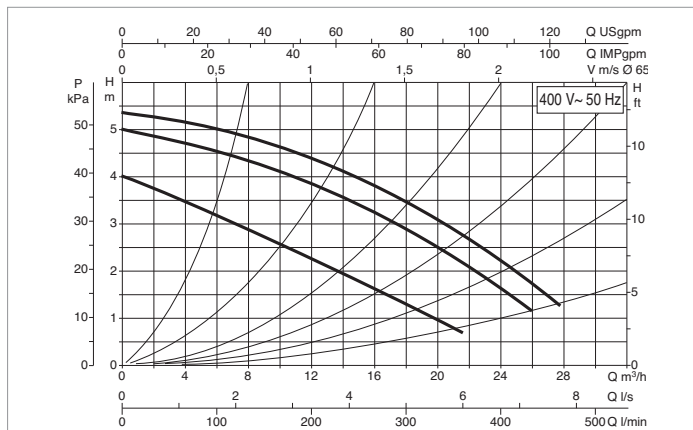
| MODEL | L | L1 | L2 | A | B | B1 | B2 | D | D1 | D2 | D3 | D4 | I | I1 | I2 | I3 | M | H | H1 | H2 | WEIGHT kg |
|-----------------|-----|-----|-----|----|-----|----|-----|-----|-----|-----|-----|----|-----|----|----|----|-----|-----|-----|-----|-----------|
| BMH 30/340.65 T | 340 | 170 | 170 | 18 | 334 | 82 | 252 | 185 | 145 | 130 | 110 | 65 | 100 | - | - | - | M12 | 259 | 100 | 159 | 27,5 |

BMH 60/340.65 T - WET ROTOR CIRCULATORS FOR HEATING AND AIR CONDITIONING SYSTEMS - SINGOL, FLANGED

Pumped liquid temperature range: from -10 °C to +120 °C - Maximum operating pressure: 10 bar (1000 kPa)



The performance curves are based on kinematic viscosity values = 1 mm²/s and density equal to 1000 kg/m³. Curve tolerance according to ISO 9906.

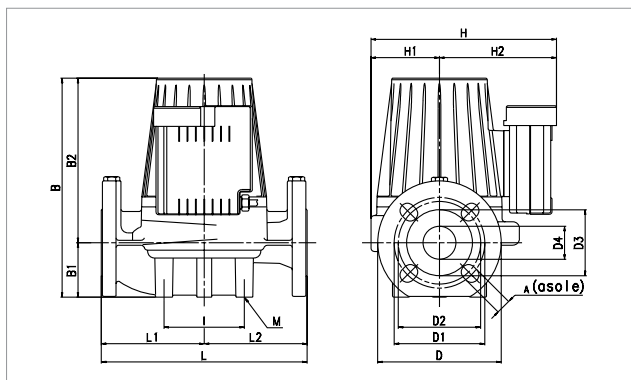


| MODEL | CENTRE DISTANCE mm | FLANGES ON REQUEST | ELECTRICAL DATA | | | | | MINIMUM SUCTION PRESSURE | | | | |
|-----------------|--------------------|--------------------|-------------------|-------|------------|----------|------|--------------------------|-----|-----|------|------|
| | | | POWER INPUT 50 Hz | SPEED | REV. 1/min | P1 MAX W | In A | t° | 75° | 90° | 110° | 120° |
| | | | | | | | | | | | | |
| BMH 60/340.65 T | 340 | DN 65 - PN 10 | 3x230 V ~ | 2 | 1170 | 295 | 1 | m.c.a. | 4 | 7.5 | - | 21 |
| | | | 3x400 V ~ | 1 | 1070 | 257 | 0.85 | | | | | |
| | | | | 3 | 1380 | 445 | 1.2 | | | | | |
| | | | | 2 | 1350 | 403 | 0.97 | | | | | |
| | | | | 1 | 1090 | 255 | 0.49 | | | | | |

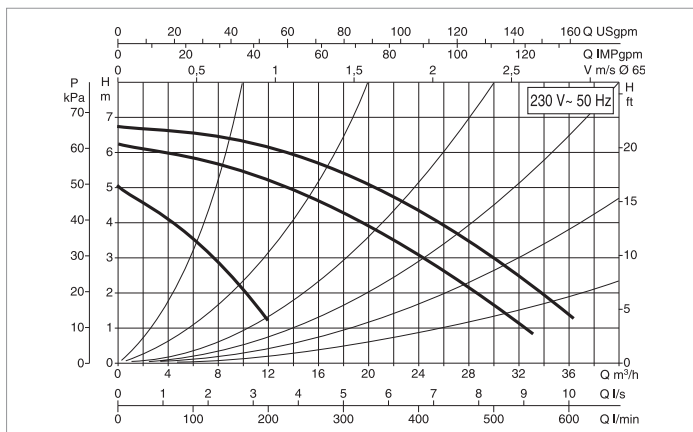
| MODEL | L | L1 | L2 | A | B | B1 | B2 | D | D1 | D2 | D3 | D4 | I | I1 | I2 | I3 | M | H | H1 | H2 | WEIGHT kg |
|-----------------|-----|-----|-----|----|-----|----|-----|-----|-----|-----|-----|----|-----|----|----|----|-----|-----|-----|-----|-----------|
| BMH 60/340.65 T | 340 | 170 | 170 | 18 | 334 | 82 | 252 | 185 | 145 | 130 | 110 | 65 | 100 | - | - | - | M12 | 259 | 100 | 159 | 27,5 |

BPH 60/340.65 M - WET ROTOR CIRCULATORS FOR HEATING AND AIR CONDITIONING SYSTEMS - SINGOL, FLANGED

Pumped liquid temperature range: from -10 °C to +110 °C - Maximum operating pressure: 10 bar (1000 kPa)



The performance curves are based on kinematic viscosity values = 1 mm²/s and density equal to 1000 kg/m³. Curve tolerance according to ISO 9906.

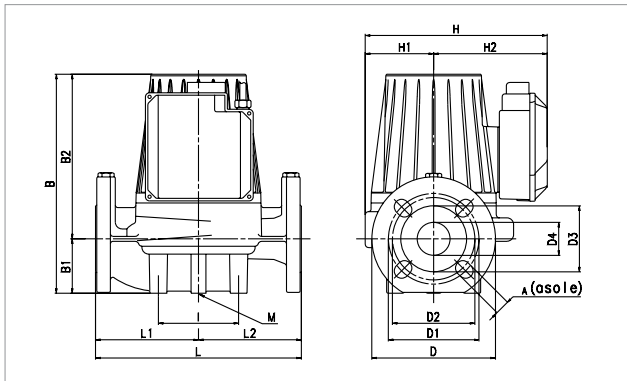


| MODEL | CENTRE DISTANCE mm | FLANGES ON REQUEST | ELECTRICAL DATA | | | | | MINIMUM SUCTION PRESSURE | | | | |
|-----------------|--------------------|--------------------|-------------------|-------|------------|----------|------|--------------------------|-----|-----|------|------|
| | | | POWER INPUT 50 Hz | SPEED | REV. 1/min | P1 MAX W | In A | t° | 75° | 90° | 110° | 120° |
| | | | | | | | | | | | | |
| BPH 60/340.65 M | 340 | DN 65 - PN 10 | - | - | - | - | - | m.c.a. | 1 | 4 | 13 | - |
| | | | 1x230 V ~ | 3 | 2780 | 735 | 3.37 | | | | | |
| | | | | 2 | 2580 | 685 | 3.13 | | | | | |
| | | | | 1 | 1460 | 564 | 3.12 | | | | | |

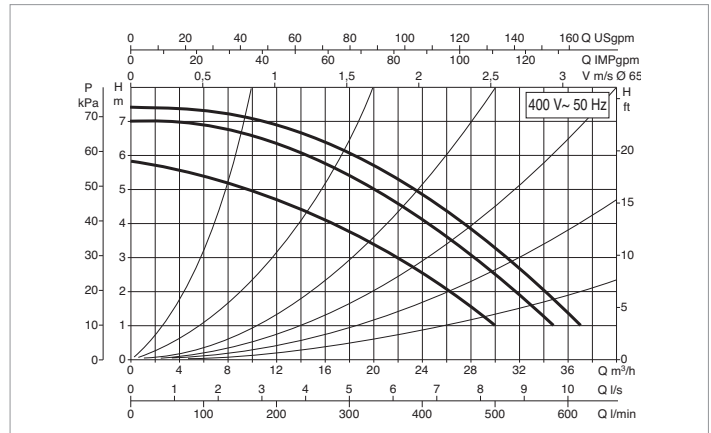
| MODEL | L | L1 | L2 | A | B | B1 | B2 | D | D1 | D2 | D3 | D4 | I | I1 | I2 | I3 | M | H | H1 | H2 | WEIGHT kg |
|-----------------|-----|-----|-----|----|-----|----|-----|-----|-----|-----|-----|----|-----|----|----|----|-----|-----|-----|-----|-----------|
| BPH 60/340.65 M | 340 | 170 | 170 | 18 | 334 | 82 | 252 | 185 | 145 | 130 | 110 | 65 | 100 | - | - | - | M12 | 259 | 100 | 159 | 27,5 |

BPH 60/340.65 T - WET ROTOR CIRCULATORS FOR HEATING AND AIR CONDITIONING SYSTEMS - SINGOL, FLANGED

Pumped liquid temperature range: from -10 °C to +120 °C - Maximum operating pressure: 10 bar (1000 kPa)



The performance curves are based on kinematic viscosity values = 1 mm²/s and density equal to 1000 kg/m³. Curve tolerance according to ISO 9906.

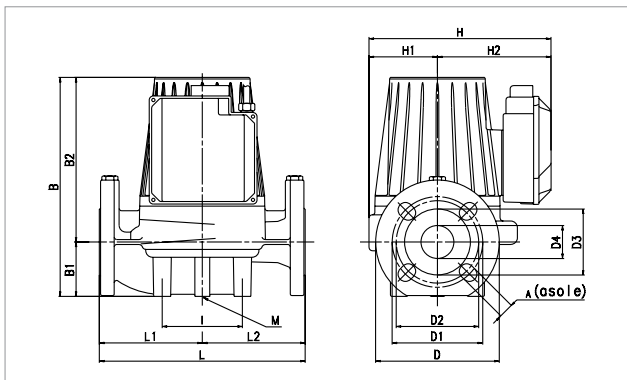


| MODEL | CENTRE DISTANCE mm | FLANGES ON REQUEST | ELECTRICAL DATA | | | | | MINIMUM SUCTION PRESSURE | | | | |
|-----------------|--------------------|--------------------|-------------------|-------|------------|----------|------|--------------------------|-----|-----|------|------|
| | | | POWER INPUT 50 Hz | SPEED | REV. 1/min | P1 MAX W | In A | t° | 75° | 90° | 110° | 120° |
| BPH 60/340.65 T | 340 | DN 65 - PN 10 | 3x230 V ~ | 2 | 2550 | 582 | 1.67 | m.c.a. | 1 | 4 | - | 18 |
| | | | 2380 | 532 | 1.53 | | | | | | | |
| BPH 60/340.65 T | 340 | DN 65 - PN 10 | 3x400 V ~ | 3 | 2850 | 756 | 1.5 | m.c.a. | 1 | 4 | - | 18 |
| | | | | 2 | 2800 | 705 | 1.3 | | | | | |
| | | | | 1 | 2400 | 535 | 0.9 | | | | | |

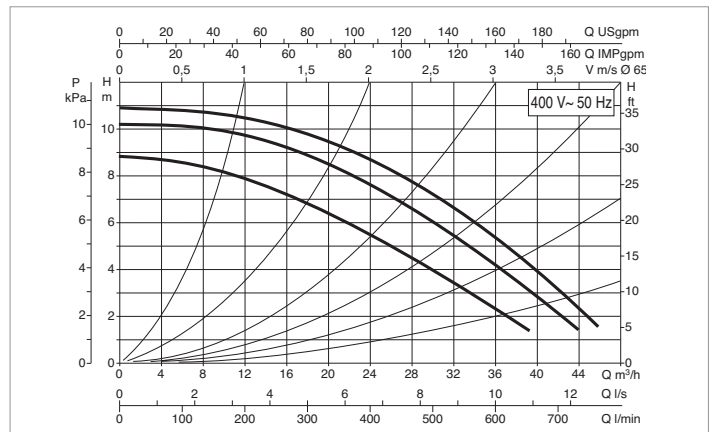
| MODEL | L | L1 | L2 | A | B | B1 | B2 | D | D1 | D2 | D3 | D4 | I | I1 | I2 | I3 | M | H | H1 | H2 | WEIGHT kg |
|-----------------|-----|-----|-----|----|-----|----|-----|-----|-----|-----|-----|----|-----|----|----|----|-----|-----|-----|-----|-----------|
| BPH 60/340.65 T | 340 | 170 | 170 | 18 | 334 | 82 | 252 | 185 | 145 | 130 | 110 | 65 | 100 | - | - | - | M12 | 259 | 100 | 159 | 30,5 |

BPH 120/340.65 T - WET ROTOR CIRCULATORS FOR HEATING AND AIR CONDITIONING SYSTEMS - SINGOL, FLANGED

Pumped liquid temperature range: from -10 °C to +120 °C - Maximum operating pressure: 10 bar (1000 kPa)



The performance curves are based on kinematic viscosity values = 1 mm²/s and density equal to 1000 kg/m³. Curve tolerance according to ISO 9906.

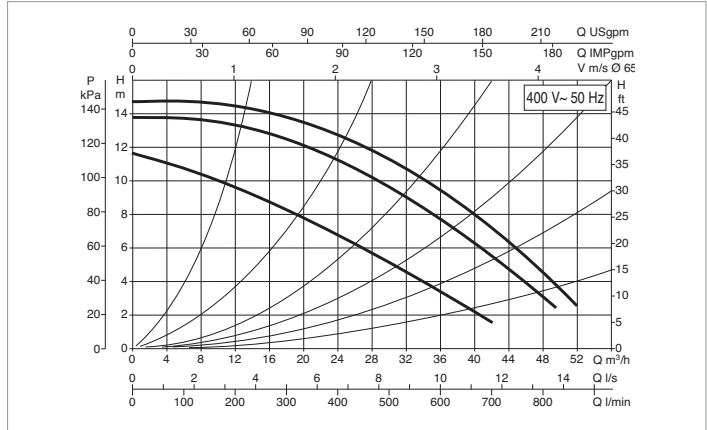
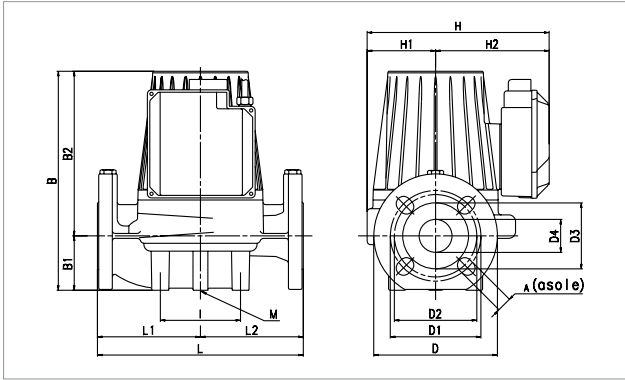


| MODEL | CENTRE DISTANCE mm | FLANGES ON REQUEST | ELECTRICAL DATA | | | | | MINIMUM SUCTION PRESSURE | | | | |
|------------------|--------------------|--------------------|-------------------|-------|------------|----------|------|--------------------------|-----|-----|------|------|
| | | | POWER INPUT 50 Hz | SPEED | REV. 1/min | P1 MAX W | In A | t° | 75° | 90° | 110° | 120° |
| BPH 120/340.65 T | 340 | DN 65 - PN 10 | 3x230 V ~ | 2 | 2630 | 1001 | 2.85 | m.c.a. | 6 | 9 | - | 22 |
| | | | 2500 | 940 | 2.66 | | | | | | | |
| BPH 120/340.65 T | 340 | DN 65 - PN 10 | 3x400 V ~ | 3 | 2880 | 1275 | 2.64 | m.c.a. | 6 | 9 | - | 22 |
| | | | | 2 | 2830 | 1200 | 2.25 | | | | | |
| | | | | 1 | 2520 | 934 | 1.52 | | | | | |

| MODEL | L | L1 | L2 | A | B | B1 | B2 | D | D1 | D2 | D3 | D4 | I | I1 | I2 | I3 | M | H | H1 | H2 | WEIGHT kg |
|------------------|-----|-----|-----|----|-----|----|-----|-----|-----|-----|-----|----|-----|----|----|----|-----|-----|-----|-----|-----------|
| BPH 120/340.65 T | 340 | 170 | 170 | 18 | 384 | 82 | 302 | 185 | 145 | 130 | 110 | 65 | 100 | - | - | - | M12 | 259 | 100 | 159 | 32,5 |

BPH 150/340.65 T - WET ROTOR CIRCULATORS FOR HEATING AND AIR CONDITIONING SYSTEMS - SINGOL, FLANGED

Pumped liquid temperature range: from -10 °C to +110 °C - Maximum operating pressure: 10 bar (1000 kPa)



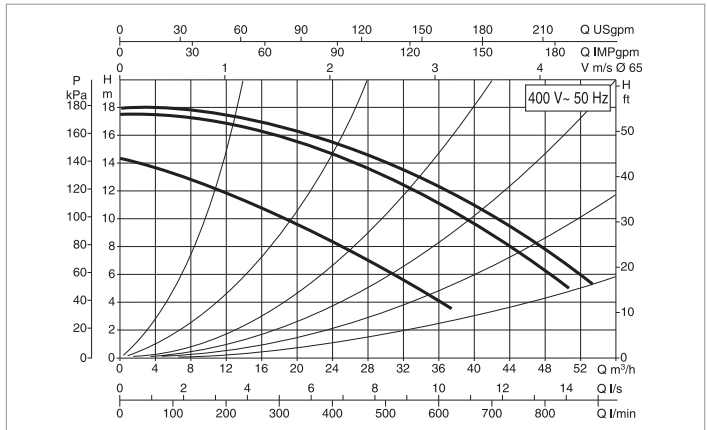
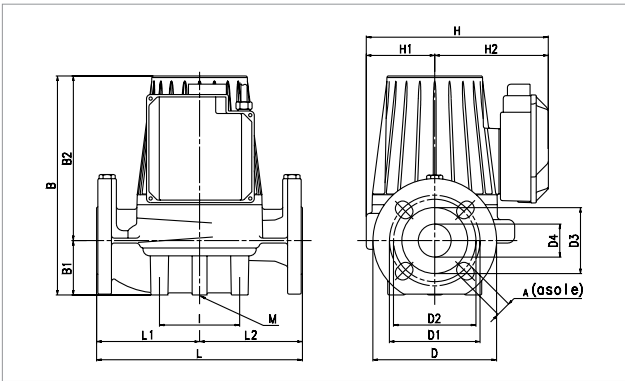
The performance curves are based on kinematic viscosity values = 1 mm²/s and density equal to 1000 kg/m³. Curve tolerance according to ISO 9906.

| MODEL | CENTRE DISTANCE mm | FLANGES ON REQUEST | ELECTRICAL DATA | | | | | MINIMUM SUCTION PRESSURE | | | | |
|------------------|--------------------|--------------------|-------------------|-------------|----------------------|----------------------|-------------------|--------------------------|-----|-----|------|------|
| | | | POWER INPUT 50 Hz | SPEED | REV. 1/min | P1 MAX W | In A | t° | 75° | 90° | 110° | 120° |
| BPH 150/340.65 T | 340 | DN 65 - PN 10 | 3x230 V ~ | 2 1 | 2410 2250 | 1345 1188 | 3.8 3.36 | m.c.a. | 7 | 11 | 18 | - |
| | | | 3x400 V ~ | 3 2 1 | 2800 2730 2250 | 1796 1690 1210 | 3.25 2.93 2 | | | | | |

| MODEL | L | L1 | L2 | A | B | B1 | B2 | D | D1 | D2 | D3 | D4 | I | I1 | I2 | I3 | M | H | H1 | H2 | WEIGHT kg |
|------------------|-----|-----|-----|----|-----|----|-----|-----|-----|-----|-----|----|-----|----|----|----|-----|-----|-----|-----|-----------|
| BPH 150/340.65 T | 340 | 170 | 170 | 18 | 384 | 82 | 302 | 185 | 145 | 130 | 110 | 65 | 100 | - | - | - | M12 | 259 | 100 | 159 | 32,5 |

BPH 180/340.65 T - WET ROTOR CIRCULATORS FOR HEATING AND AIR CONDITIONING SYSTEMS - SINGOL, FLANGED

Pumped liquid temperature range: from -10 °C to +110 °C - Maximum operating pressure: 10 bar (1000 kPa)



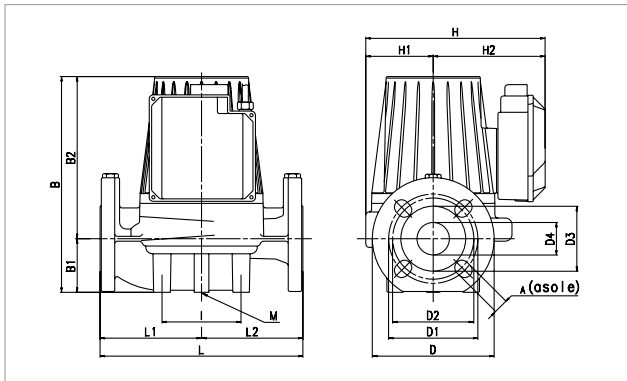
The performance curves are based on kinematic viscosity values = 1 mm²/s and density equal to 1000 kg/m³. Curve tolerance according to ISO 9906.

| MODEL | CENTRE DISTANCE mm | FLANGES ON REQUEST | ELECTRICAL DATA | | | | | MINIMUM SUCTION PRESSURE | | | | |
|------------------|--------------------|--------------------|-------------------|-------------|----------------------|----------------------|-----------------|--------------------------|-----|-----|------|------|
| | | | POWER INPUT 50 Hz | SPEED | REV. 1/min | P1 MAX W | In A | t° | 75° | 90° | 110° | 120° |
| BPH 180/340.65 T | 340 | DN 65 - PN 10 | 3x230 V ~ | 2 1 | 2380 2170 | 1670 1490 | 4,7 4,25 | m.c.a. | 7 | 11 | 18 | - |
| | | | 3x400 V ~ | 3 2 1 | 2780 2700 2200 | 2310 2210 1490 | 4 3,5 2,4 | | | | | |

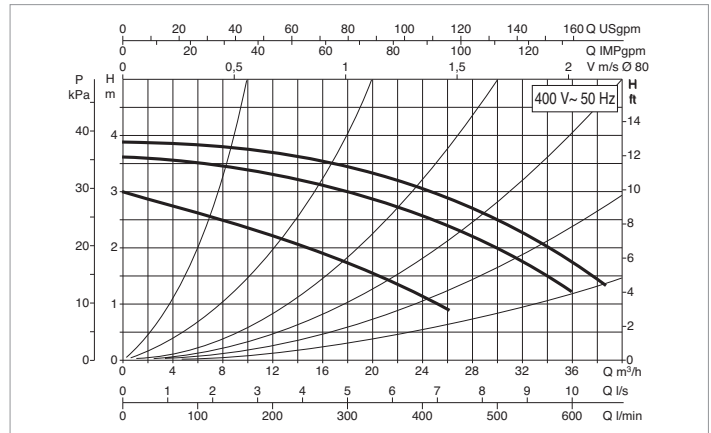
| MODEL | L | L1 | L2 | A | B | B1 | B2 | D | D1 | D2 | D3 | D4 | I | I1 | I2 | I3 | M | H | H1 | H2 | WEIGHT kg |
|------------------|-----|-----|-----|----|-----|----|-----|-----|-----|-----|-----|----|-----|----|----|----|-----|-----|-----|-----|-----------|
| BPH 180/340.65 T | 340 | 170 | 170 | 18 | 384 | 82 | 302 | 185 | 145 | 130 | 110 | 65 | 100 | - | - | - | M12 | 259 | 100 | 159 | 32,5 |

BMH 30/360.80 T - WET ROTOR CIRCULATORS FOR HEATING AND AIR CONDITIONING SYSTEMS - SINGOL, FLANGED

Pumped liquid temperature range: from -10 °C to +120 °C - Maximum operating pressure: 10 bar (1000 kPa)



The performance curves are based on kinematic viscosity values = 1 mm²/s and density equal to 1000 kg/m³. Curve tolerance according to ISO 9906.

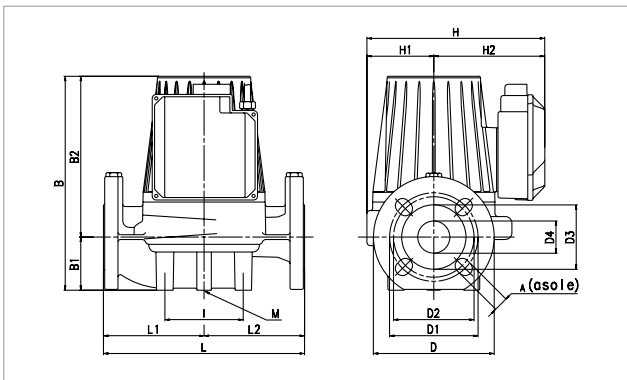


| MODEL | CENTRE DISTANCE mm | FLANGES ON REQUEST | ELECTRICAL DATA | | | | | MINIMUM SUCTION PRESSURE | | | | |
|-----------------|--------------------|--------------------|-------------------|-------------|----------------------|-------------------|-------------------|--------------------------|-----|-----|------|------|
| | | | POWER INPUT 50 Hz | SPEED | REV. 1/min | P1 MAX W | In A | t° | 75° | 90° | 110° | 120° |
| | | | | | | | | | | | | |
| BMH 30/360.80 T | 360 | DN 80 - PN 10 | 3x230 V ~ | 2 1 | 1110 1010 | 313 268 | 1.05 0.88 | m.c.a. | 4 | 7.5 | - | 21 |
| | | | 3x400 V ~ | 3 2 1 | 1370 1330 1030 | 484 437 266 | 1.23 1 0.51 | | | | | |

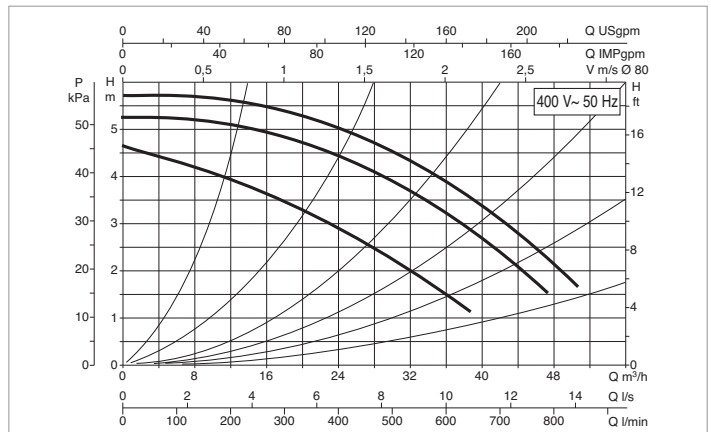
| MODEL | L | L1 | L2 | A | B | B1 | B2 | D | D1 | D2 | D3 | D4 | I | I1 | I2 | I3 | M | H | H1 | H2 | WEIGHT kg |
|-----------------|-----|-----|-----|----|-----|----|-----|-----|-----|-----|-----|----|-----|----|----|----|-----|-----|-----|-----|-----------|
| BMH 30/360.80 T | 360 | 170 | 190 | 18 | 354 | 97 | 254 | 200 | 160 | 150 | 130 | 80 | 115 | - | - | - | M12 | 297 | 100 | 159 | 31 |

BMH 60/360.80 T - WET ROTOR CIRCULATORS FOR HEATING AND AIR CONDITIONING SYSTEMS - SINGOL, FLANGED

Pumped liquid temperature range: from -10 °C to +110 °C - Maximum operating pressure: 10 bar (1000 kPa)



The performance curves are based on kinematic viscosity values = 1 mm²/s and density equal to 1000 kg/m³. Curve tolerance according to ISO 9906.

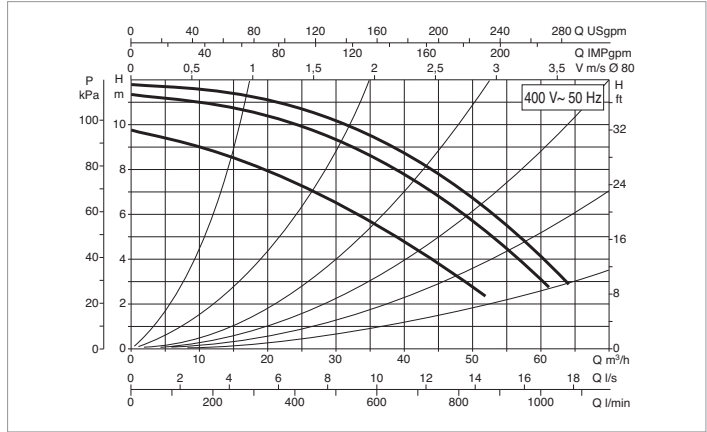
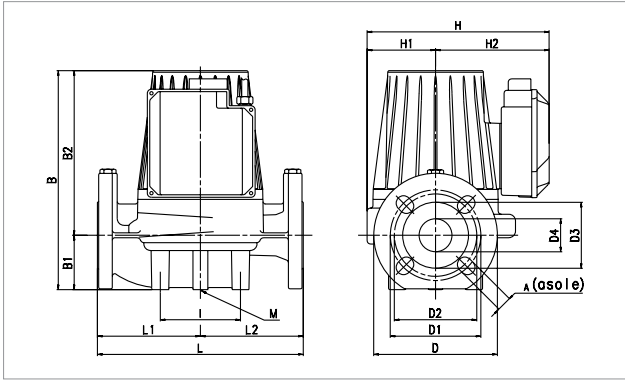


| MODEL | CENTRE DISTANCE mm | FLANGES ON REQUEST | ELECTRICAL DATA | | | | | MINIMUM SUCTION PRESSURE | | | | |
|-----------------|--------------------|--------------------|-------------------|-------------|----------------------|-------------------|----------------------|--------------------------|-----|-----|------|------|
| | | | POWER INPUT 50 Hz | SPEED | REV. 1/min | P1 MAX W | In A | t° | 75° | 90° | 110° | 120° |
| | | | | | | | | | | | | |
| BMH 60/360.80 T | 360 | DN 80 - PN 10 | 3x230 V ~ | 2 1 | 1180 1100 | 535 465 | 1.82 1.55 | m.c.a. | 2 | 5 | - | 20 |
| | | | 3x400 V ~ | 3 2 1 | 1390 1350 1100 | 763 663 465 | 2.04 1.65 0.89 | | | | | |

| MODEL | L | L1 | L2 | A | B | B1 | B2 | D | D1 | D2 | D3 | D4 | I | I1 | I2 | I3 | M | H | H1 | H2 | WEIGHT kg |
|-----------------|-----|-----|-----|----|-----|----|-----|-----|-----|-----|-----|----|-----|----|----|----|-----|-----|-----|-----|-----------|
| BMH 60/360.80 T | 360 | 170 | 190 | 18 | 404 | 97 | 307 | 200 | 160 | 150 | 130 | 80 | 115 | - | - | - | M12 | 259 | 100 | 159 | 40 |

BPH 120/360.80 T - WET ROTOR CIRCULATORS FOR HEATING AND AIR CONDITIONING SYSTEMS - SINGOL, FLANGED

Pumped liquid temperature range: from -10 °C to +120 °C - Maximum operating pressure: 10 bar (1000 kPa)



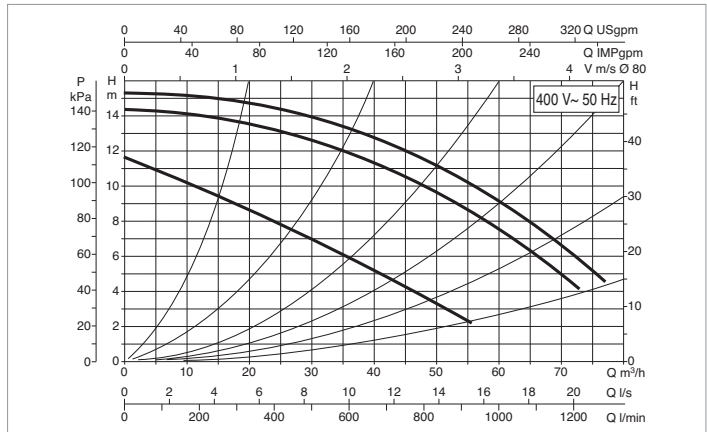
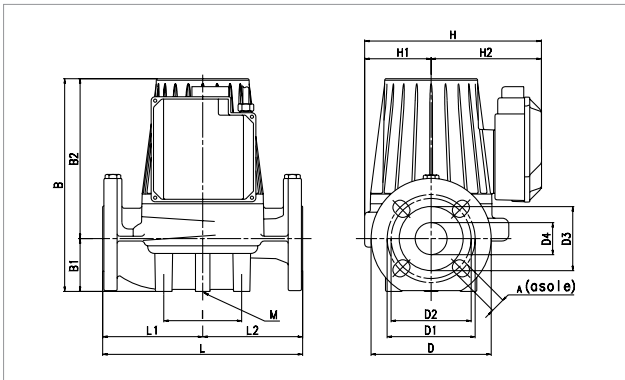
The performance curves are based on kinematic viscosity values = 1 mm²/s and density equal to 1000 kg/m³. Curve tolerance according to ISO 9906.

| MODEL | CENTRE DISTANCE mm | FLANGES ON REQUEST | ELECTRICAL DATA | | | | | MINIMUM SUCTION PRESSURE | | | | |
|------------------|--------------------|--------------------|-------------------|-------------|----------------------|----------------------|---------------------|--------------------------|-----|-----|------|------|
| | | | POWER INPUT 50 Hz | SPEED | REV. 1/min | P1 MAX W | In A | t° | 75° | 90° | 110° | 120° |
| | | | | | | | | | | | | |
| BPH 120/360.80 T | 360 | DN 80 - PN 10 | 3x230 V ~ | 2 1 | 2500 2340 | 1410 1292 | 3.95 3.6 | m.c.a. | 6 | 10 | - | 22 |
| | | | 3x400 V ~ | 3 2 1 | 2830 2780 2350 | 1820 1710 1302 | 3.3 2.93 2.13 | | | | | |

| MODEL | L | L1 | L2 | A | B | B1 | B2 | D | D1 | D2 | D3 | D4 | I | I1 | I2 | I3 | M | H | H1 | H2 | WEIGHT kg |
|------------------|-----|-----|-----|----|-----|----|-----|-----|-----|-----|-----|----|-----|----|----|----|-----|-----|-----|-----|-----------|
| BPH 120/360.80 T | 360 | 170 | 190 | 18 | 404 | 97 | 307 | 200 | 160 | 150 | 130 | 80 | 115 | - | - | - | M12 | 259 | 100 | 159 | 40 |

BPH 150/360.80 T - WET ROTOR CIRCULATORS FOR HEATING AND AIR CONDITIONING SYSTEMS - SINGOL, FLANGED

Pumped liquid temperature range: from -10 °C to +110 °C - Maximum operating pressure: 10 bar (1000 kPa)



The performance curves are based on kinematic viscosity values = 1 mm²/s and density equal to 1000 kg/m³. Curve tolerance according to ISO 9906.

| MODEL | CENTRE DISTANCE mm | FLANGES ON REQUEST | ELECTRICAL DATA | | | | | MINIMUM SUCTION PRESSURE | | | | |
|------------------|--------------------|--------------------|-------------------|-------------|----------------------|----------------------|----------------------|--------------------------|-----|-----|------|------|
| | | | POWER INPUT 50 Hz | SPEED | REV. 1/min | P1 MAX W | In A | t° | 75° | 90° | 110° | 120° |
| | | | | | | | | | | | | |
| BPH 150/360.80 T | 360 | DN 80 - PN 10 | 3x230 V ~ | 2 1 | 2140 1900 | 1984 1695 | 5.62 4.82 | m.c.a. | 7 | 11 | 18 | - |
| | | | 3x400 V ~ | 3 2 1 | 2710 2610 1940 | 2870 2686 1710 | 4.64 4.32 2.85 | | | | | |

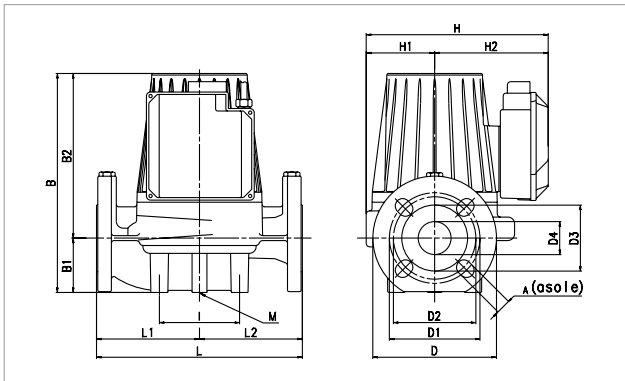
| MODEL | L | L1 | L2 | A | B | B1 | B2 | D | D1 | D2 | D3 | D4 | I | I1 | I2 | I3 | M | H | H1 | H2 | WEIGHT kg |
|------------------|-----|-----|-----|----|-----|----|-----|-----|-----|-----|-----|----|-----|----|----|----|-----|-----|-----|-----|-----------|
| BPH 150/360.80 T | 360 | 170 | 190 | 18 | 404 | 97 | 307 | 200 | 160 | 150 | 130 | 80 | 115 | - | - | - | M12 | 259 | 100 | 159 | 40 |

* model available for all markets

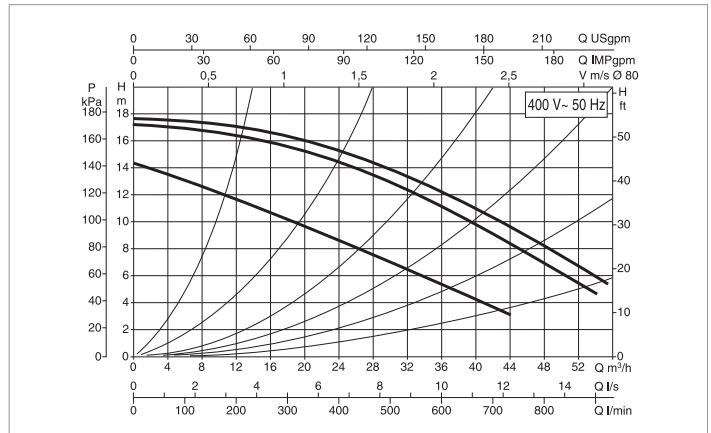


BPH 180/360.80 T - WET ROTOR CIRCULATORS FOR HEATING AND AIR CONDITIONING SYSTEMS - SINGOL, FLANGED

Pumped liquid temperature range: from -10 °C to +110 °C - Maximum operating pressure: 10 bar (1000 kPa)



The performance curves are based on kinematic viscosity values = 1 mm²/s and density equal to 1000 kg/m³. Curve tolerance according to ISO 9906.

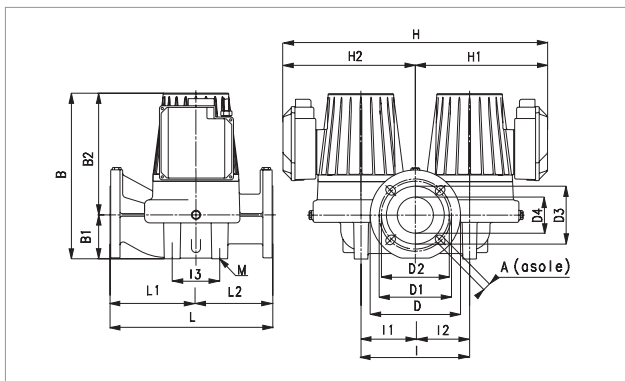


| MODEL | CENTRE DISTANCE mm | FLANGES ON REQUEST | ELECTRICAL DATA | | | | | MINIMUM SUCTION PRESSURE | | | | |
|------------------|--------------------|--------------------|-------------------|-------------|----------------------|----------------------|-----------------|--------------------------|-----|-----|------|------|
| | | | POWER INPUT 50 Hz | SPEED | REV. 1/min | P1 MAX W | In A | t° | 75° | 90° | 110° | 120° |
| BPH 180/360.80 T | 360 | DN 80 - PN 10 | 3x230 V ~ | 2 1 | 2380 2170 | 1670 1490 | 4,7 4,25 | m.c.a. | 7 | 11 | 18 | - |
| | | | 3x400 V ~ | 3 2 1 | 2780 2700 2200 | 2310 2210 1490 | 4 3,5 2,4 | | | | | |

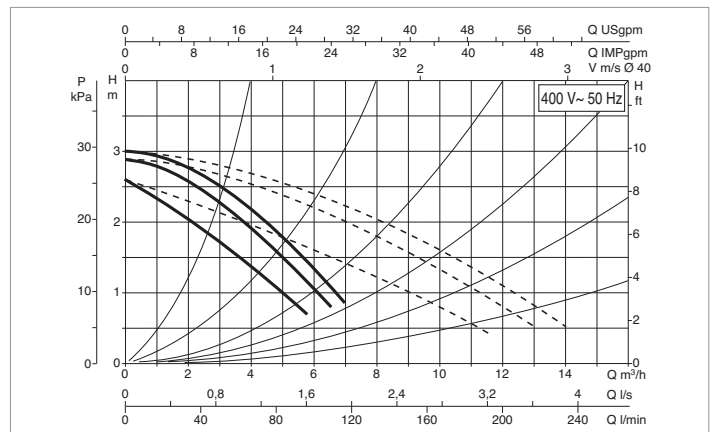
| MODEL | L | L1 | L2 | A | B | B1 | B2 | D | D1 | D2 | D3 | D4 | I | I1 | I2 | I3 | M | H | H1 | H2 | WEIGHT kg |
|------------------|-----|-----|-----|----|-----|----|-----|-----|-----|-----|-----|----|-----|----|----|----|-----|-----|-----|-----|-----------|
| BPH 180/360.80 T | 360 | 170 | 190 | 18 | 404 | 97 | 307 | 200 | 160 | 150 | 130 | 80 | 115 | - | - | - | M12 | 259 | 100 | 159 | 40 |

DMH 30/250.40 T - WET ROTOR CIRCULATORS FOR HEATING AND AIR CONDITIONING SYSTEMS - TWIN, FLANGED

Pumped liquid temperature range: from -10 °C to +120 °C - Maximum operating pressure: 10 bar (1000 kPa)



The performance curves are based on kinematic viscosity values = 1 mm²/s and density equal to 1000 kg/m³. Curve tolerance according to ISO 9906.

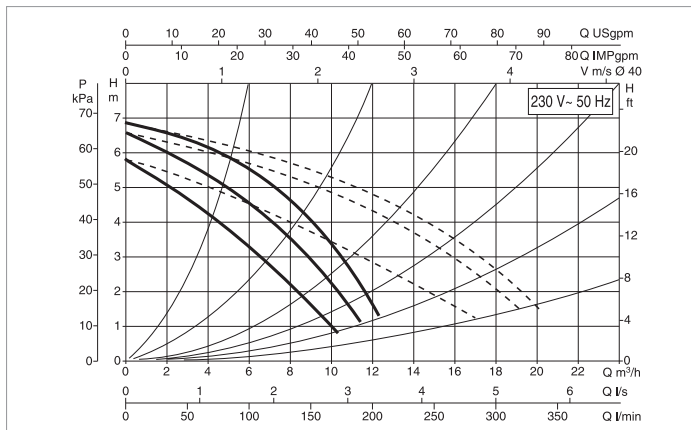
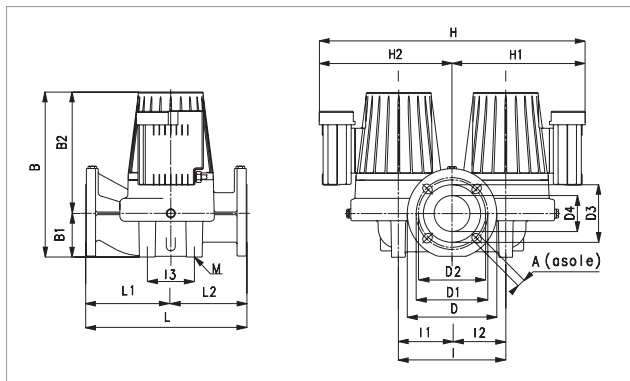


| MODEL | CENTRE DISTANCE mm | FLANGES ON REQUEST | ELECTRICAL DATA | | | | | MINIMUM SUCTION PRESSURE | | | | |
|-----------------|--------------------|--------------------|-------------------|-------------|----------------------|------------------|----------------------|--------------------------|-----|-----|------|------|
| | | | POWER INPUT 50 Hz | SPEED | REV. 1/min | P1 MAX W | In A | t° | 75° | 90° | 110° | 120° |
| DMH 30/250.40 T | 250 | DN 40 - PN 10 | 3x230 V ~ | 2 1 | 1340 1260 | 100 88 | 0.48 0.39 | m.c.a. | 0.9 | 4 | - | 18 |
| | | | 3x400 V ~ | 3 2 1 | 1440 1430 1260 | 192 155 88 | 0.78 0.58 0.23 | | | | | |

| MODEL | L | L1 | L2 | A | B | B1 | B2 | D | D1 | D2 | D3 | D4 | I | I1 | I2 | I3 | M | H | H1 | H2 | WEIGHT kg |
|-----------------|-----|-----|-----|----|-----|----|-----|-----|-----|-----|----|----|-----|-----|-----|-----|-----|-----|-----|-----|-----------|
| DMH 30/250.40 T | 250 | 105 | 145 | 18 | 271 | 66 | 205 | 150 | 110 | 100 | 80 | 40 | 200 | 100 | 100 | 100 | M12 | 476 | 238 | 238 | 32 |

DPH 60/250.40 M - WET ROTOR CIRCULATORS FOR HEATING AND AIR CONDITIONING SYSTEMS - TWIN, FLANGED

Pumped liquid temperature range: from -10 °C to +110 °C - Maximum operating pressure: 10 bar (1000 kPa)



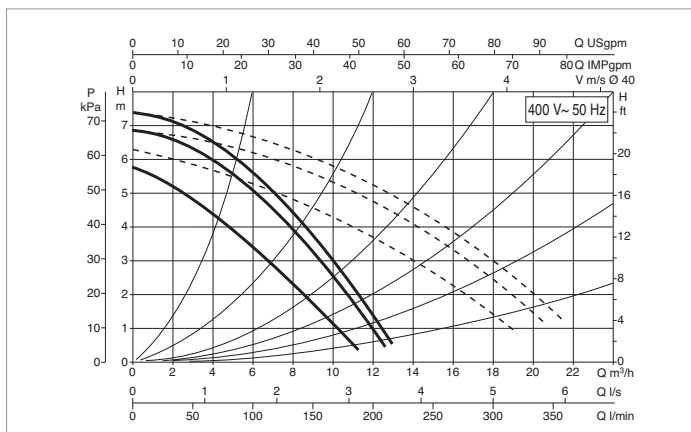
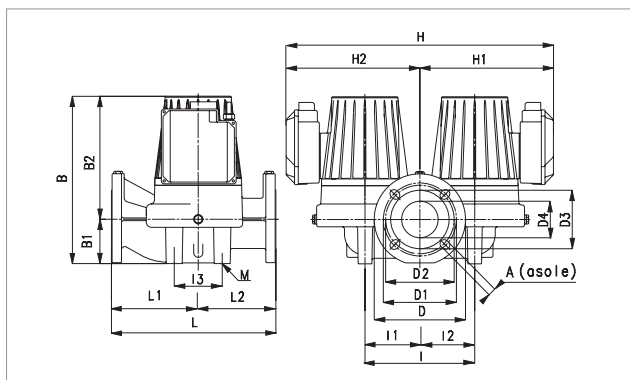
The performance curves are based on kinematic viscosity values = 1 mm²/s and density equal to 1000 kg/m³. Curve tolerance according to ISO 9906.

| MODEL | CENTRE DISTANCE mm | FLANGES ON REQUEST | ELECTRICAL DATA | | | | | MINIMUM SUCTION PRESSURE | | | | |
|-----------------|--------------------|--------------------|-------------------|-------|------------|----------|------|--------------------------|-----|-----|------|------|
| | | | POWER INPUT 50 Hz | SPEED | REV. 1/min | P1 MAX W | In A | t° | 75° | 90° | 110° | 120° |
| DPH 60/250.40 M | 250 | DN 40 - PN 10 | - | - | - | - | - | m.c.a. | 1.6 | 4 | 14 | - |
| | | | 1x230 V ~ | 3 | 2830 | 316 | 1.43 | | | | | |
| | | | | 2 | 2750 | 309 | 1.53 | | | | | |
| | | | 1 | 2410 | 292 | 1.51 | | | | | | |

| MODEL | L | L1 | L2 | A | B | B1 | B2 | D | D1 | D2 | D3 | D4 | I | I1 | I2 | I3 | M | H | H1 | H2 | WEIGHT kg |
|-----------------|-----|-----|-----|----|-----|----|-----|-----|-----|-----|----|----|-----|-----|-----|-----|-----|-----|-----|-----|-----------|
| DPH 60/250.40 M | 250 | 105 | 145 | 18 | 271 | 66 | 205 | 150 | 110 | 100 | 80 | 40 | 200 | 100 | 100 | 100 | M12 | 476 | 238 | 238 | 32 |

DPH 60/250.40 T - WET ROTOR CIRCULATORS FOR HEATING AND AIR CONDITIONING SYSTEMS - TWIN, FLANGED

Pumped liquid temperature range: from -10 °C to +120 °C - Maximum operating pressure: 10 bar (1000 kPa)



The performance curves are based on kinematic viscosity values = 1 mm²/s and density equal to 1000 kg/m³. Curve tolerance according to ISO 9906.

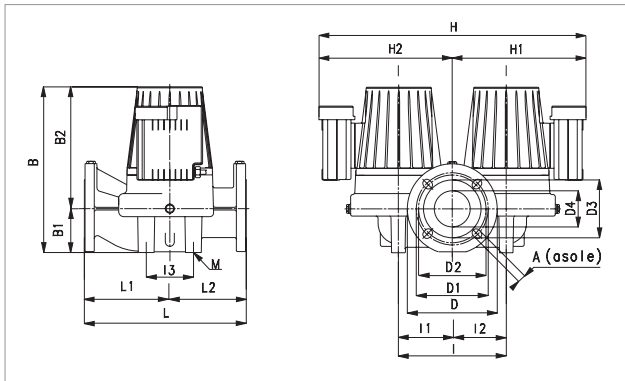
| MODEL | CENTRE DISTANCE mm | FLANGES ON REQUEST | ELECTRICAL DATA | | | | | MINIMUM SUCTION PRESSURE | | | | |
|-----------------|--------------------|--------------------|-------------------|-------|------------|----------|------|--------------------------|-----|-----|------|------|
| | | | POWER INPUT 50 Hz | SPEED | REV. 1/min | P1 MAX W | In A | t° | 75° | 90° | 110° | 120° |
| DPH 60/250.40 T | 250 | DN 40 - PN 10 | 3x230 V ~ | 2 | 2570 | 253 | 0.81 | m.c.a. | 1.6 | 4 | - | 19 |
| | | | | 1 | 2420 | 229 | 0.72 | | | | | |
| | | | 3x400 V ~ | 3 | 2850 | 348 | 0.99 | | | | | |
| | | | 2 | 2810 | 316 | 0.75 | | | | | | |
| | | | 1 | 2430 | 232 | 0.42 | | | | | | |

| MODEL | L | L1 | L2 | A | B | B1 | B2 | D | D1 | D2 | D3 | D4 | I | I1 | I2 | I3 | M | H | H1 | H2 | WEIGHT kg |
|-----------------|-----|-----|-----|----|-----|----|-----|-----|-----|-----|----|----|-----|-----|-----|-----|-----|-----|-----|-----|-----------|
| DPH 60/250.40 T | 250 | 105 | 145 | 18 | 271 | 66 | 205 | 150 | 110 | 100 | 80 | 40 | 200 | 100 | 100 | 100 | M12 | 476 | 238 | 238 | 32 |

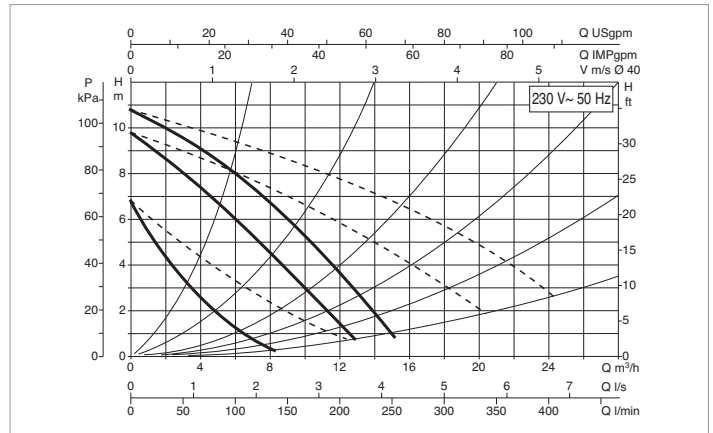


DPH 120/250.40 M - WET ROTOR CIRCULATORS FOR HEATING AND AIR CONDITIONING SYSTEMS - TWIN, FLANGED

Pumped liquid temperature range: from -10 °C to +110 °C - Maximum operating pressure: 10 bar (1000 kPa)



The performance curves are based on kinematic viscosity values = 1 mm²/s and density equal to 1000 kg/m³. Curve tolerance according to ISO 9906.

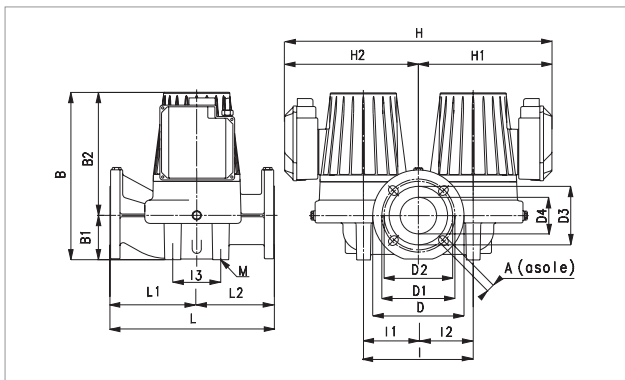


| MODEL | CENTRE DISTANCE mm | FLANGES ON REQUEST | ELECTRICAL DATA | | | | | MINIMUM SUCTION PRESSURE | | | | |
|------------------|--------------------|--------------------|-------------------|-------------|----------------------|-------------------|----------------------|--------------------------|-----|-----|------|------|
| | | | POWER INPUT 50 Hz | SPEED | REV. 1/min | P1 MAX W | In A | t° | 75° | 90° | 110° | 120° |
| DPH 120/250.40 M | 250 | DN 40 - PN 10 | - | - | - | - | - | m.c.a. | 6 | 9 | 18 | - |
| | | | 1x230 V ~ | 3 2 1 | 2650 2320 1520 | 510 498 376 | 2.24 2.35 1.96 | | | | | |

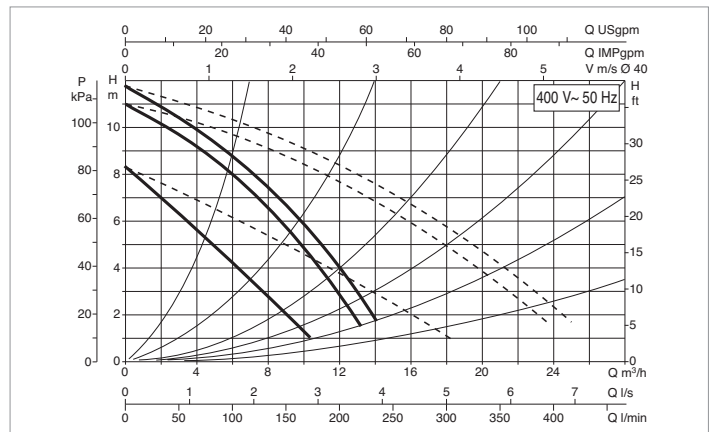
| MODEL | L | L1 | L2 | A | B | B1 | B2 | D | D1 | D2 | D3 | D4 | I | I1 | I2 | I3 | M | H | H1 | H2 | WEIGHT kg |
|------------------|-----|-----|-----|----|-----|----|-----|-----|-----|-----|----|----|-----|-----|-----|-----|-----|-----|-----|-----|-----------|
| DPH 120/250.40 M | 250 | 105 | 145 | 18 | 271 | 66 | 205 | 150 | 110 | 100 | 80 | 40 | 200 | 100 | 100 | 100 | M12 | 476 | 238 | 238 | 32 |

DPH 120/250.40 T - WET ROTOR CIRCULATORS FOR HEATING AND AIR CONDITIONING SYSTEMS - TWIN, FLANGED

Pumped liquid temperature range: from -10 °C to +120 °C - Maximum operating pressure: 10 bar (1000 kPa)



The performance curves are based on kinematic viscosity values = 1 mm²/s and density equal to 1000 kg/m³. Curve tolerance according to ISO 9906.

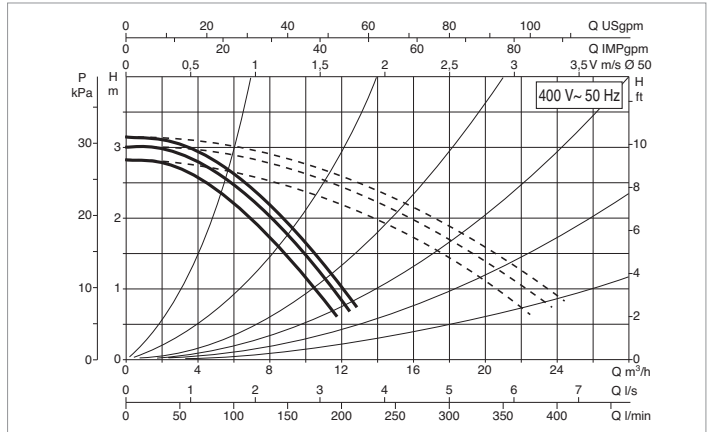
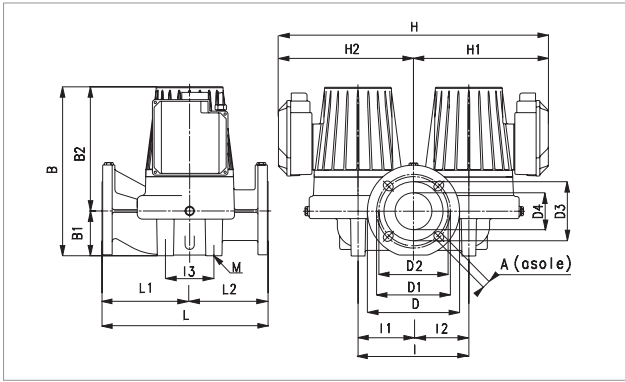


| MODEL | CENTRE DISTANCE mm | FLANGES ON REQUEST | ELECTRICAL DATA | | | | | MINIMUM SUCTION PRESSURE | | | | |
|------------------|--------------------|--------------------|-------------------|-------------|----------------------|-------------------|----------------------|--------------------------|-----|-----|------|------|
| | | | POWER INPUT 50 Hz | SPEED | REV. 1/min | P1 MAX W | In A | t° | 75° | 90° | 110° | 120° |
| DPH 120/250.40 T | 250 | DN 40 - PN 10 | 3x230 V ~ | 2 1 | 2300 2070 | 395 340 | 1.2 1.07 | m.c.a. | 6 | 9 | - | 23 |
| | | | 3x400 V ~ | 3 2 1 | 2780 2710 2080 | 536 499 339 | 1.16 0.98 0.62 | | | | | |

| MODEL | L | L1 | L2 | A | B | B1 | B2 | D | D1 | D2 | D3 | D4 | I | I1 | I2 | I3 | M | H | H1 | H2 | WEIGHT kg |
|------------------|-----|-----|-----|----|-----|----|-----|-----|-----|-----|----|----|-----|-----|-----|-----|-----|-----|-----|-----|-----------|
| DPH 120/250.40 T | 250 | 105 | 145 | 18 | 271 | 66 | 205 | 150 | 110 | 100 | 80 | 40 | 200 | 100 | 100 | 100 | M12 | 476 | 238 | 238 | 32 |

DMH 30/280.50 T - WET ROTOR CIRCULATORS FOR HEATING AND AIR CONDITIONING SYSTEMS - TWIN, FLANGED

Pumped liquid temperature range: from -10 °C to +120 °C - Maximum operating pressure: 10 bar (1000 kPa)



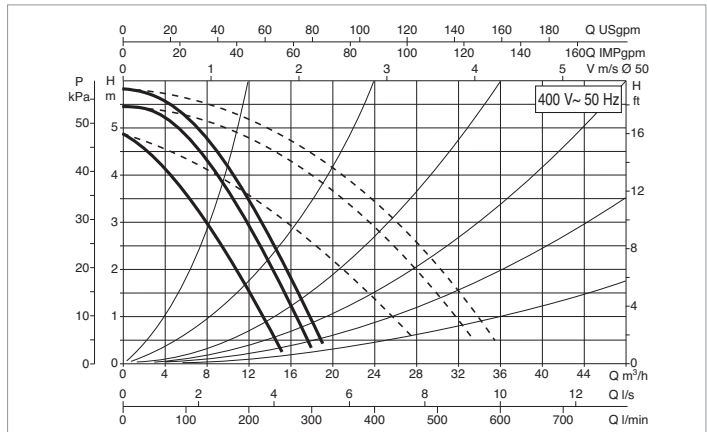
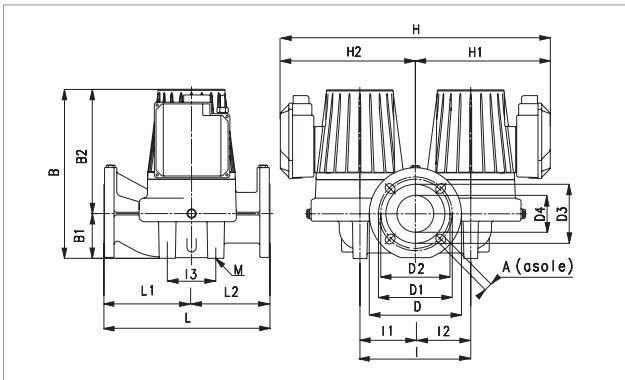
The performance curves are based on kinematic viscosity values = 1 mm²/s and density equal to 1000 kg/m³. Curve tolerance according to ISO 9906.

| MODEL | CENTRE DISTANCE mm | FLANGES ON REQUEST | ELECTRICAL DATA | | | | | MINIMUM SUCTION PRESSURE | | | | |
|-----------------|--------------------|--------------------|-------------------|-------|------------|----------|------|--------------------------|-----|-----|------|------|
| | | | POWER INPUT 50 Hz | SPEED | REV. 1/min | P1 MAX W | In A | t° | 75° | 90° | 110° | 120° |
| | | | | | | | | m.c.a. | 0.9 | 4 | - | 18 |
| DMH 30/280.50 T | 280 | DN 50 - PN 10 | 3x230 V ~ | 2 | 1390 | 148 | 0.7 | m.c.a. | 0.9 | 4 | - | 18 |
| | | | 3x400 V ~ | 1 | 1340 | 134 | 0.55 | | | | | |

| MODEL | L | L1 | L2 | A | B | B1 | B2 | D | D1 | D2 | D3 | D4 | I | I1 | I2 | I3 | M | H | H1 | H2 | WEIGHT kg |
|-----------------|-----|-----|-----|----|-----|----|-----|-----|-----|-----|----|----|-----|-----|-----|-----|-----|-----|-----|-----|-----------|
| DMH 30/280.50 T | 280 | 130 | 150 | 18 | 305 | 73 | 232 | 165 | 125 | 110 | 90 | 50 | 240 | 120 | 120 | 120 | M14 | 552 | 276 | 276 | 51,5 |

DMH 60/280.50 T - WET ROTOR CIRCULATORS FOR HEATING AND AIR CONDITIONING SYSTEMS - TWIN, FLANGED

Pumped liquid temperature range: from -10 °C to +120 °C - Maximum operating pressure: 10 bar (1000 kPa)



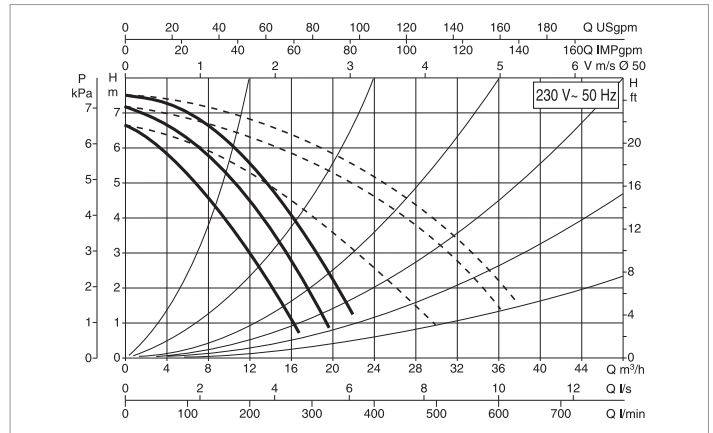
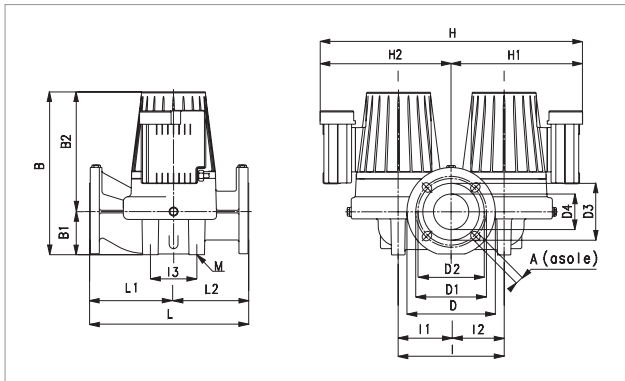
The performance curves are based on kinematic viscosity values = 1 mm²/s and density equal to 1000 kg/m³. Curve tolerance according to ISO 9906.

| MODEL | CENTRE DISTANCE mm | FLANGES ON REQUEST | ELECTRICAL DATA | | | | | MINIMUM SUCTION PRESSURE | | | | |
|-----------------|--------------------|--------------------|-------------------|-------|------------|----------|------|--------------------------|-----|-----|------|------|
| | | | POWER INPUT 50 Hz | SPEED | REV. 1/min | P1 MAX W | In A | t° | 75° | 90° | 110° | 120° |
| | | | | | | | | m.c.a. | 4 | 7.5 | - | 21 |
| DMH 60/280.50 T | 280 | DN 50 - PN 10 | 3x230 V ~ | 2 | 1210 | 272 | 0.94 | m.c.a. | 4 | 7.5 | - | 21 |
| | | | 3x400 V ~ | 1 | 1120 | 240 | 0.8 | | | | | |

| MODEL | L | L1 | L2 | A | B | B1 | B2 | D | D1 | D2 | D3 | D4 | I | I1 | I2 | I3 | M | H | H1 | H2 | WEIGHT kg |
|-----------------|-----|-----|-----|----|-----|----|-----|-----|-----|-----|----|----|-----|-----|-----|-----|-----|-----|-----|-----|-----------|
| DMH 60/280.50 T | 280 | 130 | 150 | 18 | 308 | 73 | 235 | 165 | 125 | 110 | 90 | 50 | 240 | 120 | 120 | 120 | M14 | 556 | 278 | 278 | 44,5 |

DPH 60/280.50 M - WET ROTOR CIRCULATORS FOR HEATING AND AIR CONDITIONING SYSTEMS - TWIN, FLANGED

Pumped liquid temperature range: from -10 °C to +120 °C - Maximum operating pressure: 10 bar (1000 kPa)



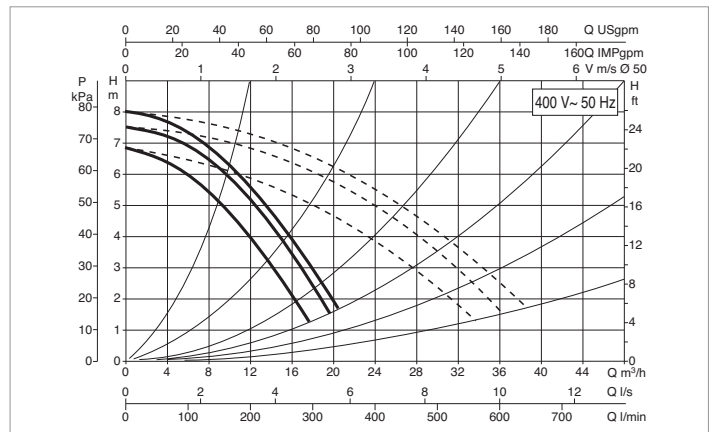
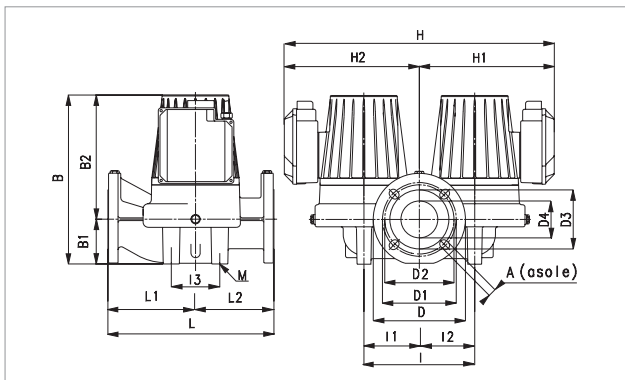
The performance curves are based on kinematic viscosity values = 1 mm²/s and density equal to 1000 kg/m³. Curve tolerance according to ISO 9906.

| MODEL | CENTRE DISTANCE mm | FLANGES ON REQUEST | ELECTRICAL DATA | | | | | MINIMUM SUCTION PRESSURE | | | | |
|-----------------|--------------------|--------------------|-------------------|-------------|----------------------|-------------------|----------------------|--------------------------|-----|-----|------|------|
| | | | POWER INPUT 50 Hz | SPEED | REV. 1/min | P1 MAX W | In A | t° | 75° | 90° | 110° | 120° |
| DPH 60/280.50 M | 280 | DN 50 - PN 10 | - | - | - | - | - | m.c.a. | 1.6 | 6 | 14 | - |
| | | | 1x230 V ~ | 3 2 1 | 2840 2730 2200 | 595 540 506 | 2.79 2.45 2.58 | | | | | |

| MODEL | L | L1 | L2 | A | B | B1 | B2 | D | D1 | D2 | D3 | D4 | I | I1 | I2 | I3 | M | H | H1 | H2 | WEIGHT kg |
|-----------------|-----|-----|-----|----|-----|----|-----|-----|-----|-----|----|----|-----|-----|-----|-----|-----|-----|-----|-----|-----------|
| DPH 60/280.50 M | 280 | 130 | 150 | 18 | 308 | 73 | 235 | 165 | 125 | 110 | 90 | 50 | 240 | 120 | 120 | 120 | M14 | 554 | 278 | 278 | 44,5 |

DPH 60/280.50 T - WET ROTOR CIRCULATORS FOR HEATING AND AIR CONDITIONING SYSTEMS - TWIN, FLANGED

Pumped liquid temperature range: from -10 °C to +120 °C - Maximum operating pressure: 10 bar (1000 kPa)



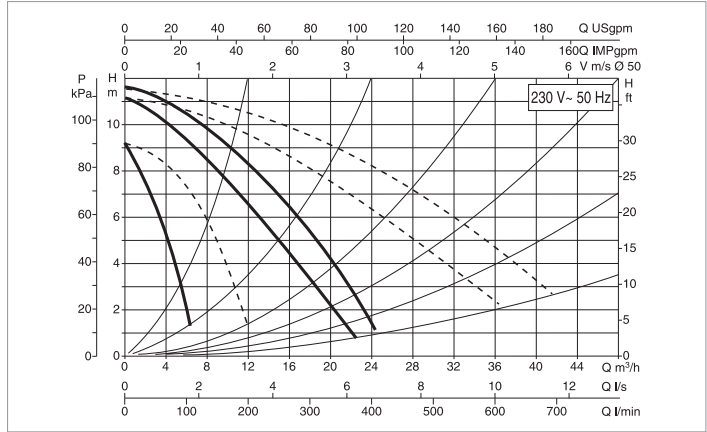
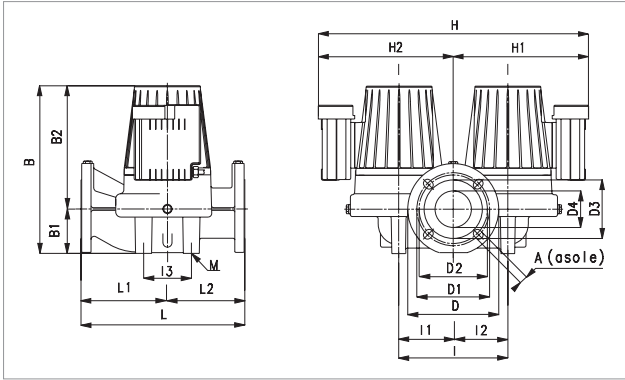
The performance curves are based on kinematic viscosity values = 1 mm²/s and density equal to 1000 kg/m³. Curve tolerance according to ISO 9906.

| MODEL | CENTRE DISTANCE mm | FLANGES ON REQUEST | ELECTRICAL DATA | | | | | MINIMUM SUCTION PRESSURE | | | | |
|-----------------|--------------------|--------------------|-------------------|-------------|----------------------|-------------------|---------------------|--------------------------|-----|-----|------|------|
| | | | POWER INPUT 50 Hz | SPEED | REV. 1/min | P1 MAX W | In A | t° | 75° | 90° | 110° | 120° |
| DPH 60/280.50 T | 280 | DN 50 - PN 10 | 3x230 V ~ | 2 1 | 2670 2570 | 464 432 | 1.35 1.23 | m.c.a. | 1.6 | 6 | - | 19 |
| | | | 3x400 V ~ | 3 2 1 | 2890 2860 2570 | 589 546 423 | 1.31 1.1 0.71 | | | | | |

| MODEL | L | L1 | L2 | A | B | B1 | B2 | D | D1 | D2 | D3 | D4 | I | I1 | I2 | I3 | M | H | H1 | H2 | WEIGHT kg |
|-----------------|-----|-----|-----|----|-----|----|-----|-----|-----|-----|----|----|-----|-----|-----|-----|-----|-----|-----|-----|-----------|
| DPH 60/280.50 T | 280 | 130 | 150 | 18 | 308 | 73 | 235 | 165 | 125 | 110 | 90 | 50 | 240 | 120 | 120 | 120 | M14 | 554 | 278 | 278 | 44,5 |

DPH 120/280.50 M - WET ROTOR CIRCULATORS FOR HEATING AND AIR CONDITIONING SYSTEMS - TWIN, FLANGED

Pumped liquid temperature range: from -10 °C to +90 °C - Maximum operating pressure: 10 bar (1000 kPa)



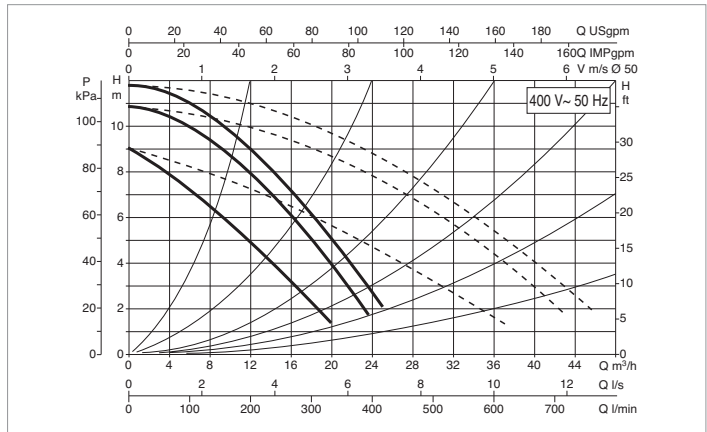
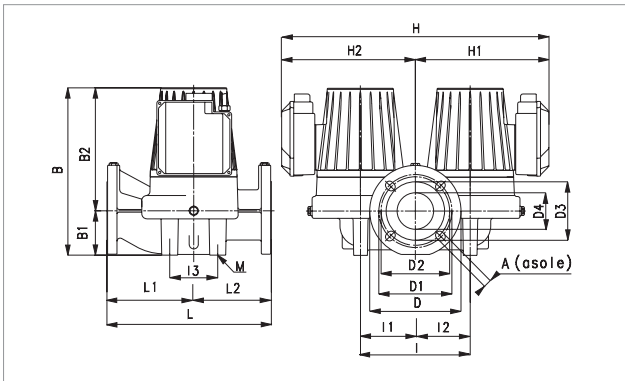
The performance curves are based on kinematic viscosity values = 1 mm²/s and density equal to 1000 kg/m³. Curve tolerance according to ISO 9906.

| MODEL | CENTRE DISTANCE mm | FLANGES ON REQUEST | ELECTRICAL DATA | | | | | MINIMUM SUCTION PRESSURE | | | | |
|------------------|--------------------|--------------------|-------------------|-------|------------|----------|------|--------------------------|-----|-----|------|------|
| | | | POWER INPUT 50 Hz | SPEED | REV. 1/min | P1 MAX W | In A | t° | 75° | 90° | 110° | 120° |
| DPH 120/280.50 M | 280 | DN 50 - PN 10 | - | - | - | - | - | m.c.a. | 2 | 5 | - | 20 |
| | | | 1x230 V ~ | 3 | 2690 | 870 | 3,97 | | | | | |
| | | | | 2 | 2360 | 800 | 3,69 | | | | | |
| | | | 1 | 1340 | 590 | 3,12 | | | | | | |

| MODEL | L | L1 | L2 | A | B | B1 | B2 | D | D1 | D2 | D3 | D4 | I | I1 | I2 | I3 | M | H | H1 | H2 | WEIGHT kg |
|------------------|-----|-----|-----|----|-----|----|-----|-----|-----|-----|----|----|-----|-----|-----|-----|-----|-----|-----|-----|-----------|
| DPH 120/280.50 M | 280 | 130 | 150 | 18 | 308 | 73 | 235 | 165 | 125 | 110 | 90 | 50 | 240 | 120 | 120 | 120 | M14 | 556 | 278 | 278 | 44,5 |

DPH 120/280.50 T - WET ROTOR CIRCULATORS FOR HEATING AND AIR CONDITIONING SYSTEMS - TWIN, FLANGED

Pumped liquid temperature range: from -10 °C to +120 °C - Maximum operating pressure: 10 bar (1000 kPa)



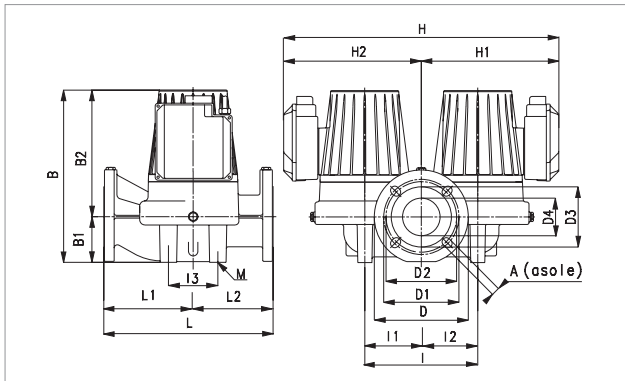
The performance curves are based on kinematic viscosity values = 1 mm²/s and density equal to 1000 kg/m³. Curve tolerance according to ISO 9906.

| MODEL | CENTRE DISTANCE mm | FLANGES ON REQUEST | ELECTRICAL DATA | | | | | MINIMUM SUCTION PRESSURE | | | | |
|------------------|--------------------|--------------------|-------------------|-------|------------|----------|------|--------------------------|-----|-----|------|------|
| | | | POWER INPUT 50 Hz | SPEED | REV. 1/min | P1 MAX W | In A | t° | 75° | 90° | 110° | 120° |
| DPH 120/280.50 T | 280 | DN 50 - PN 10 | 3x230 V ~ | 2 | 2430 | 683 | 1,95 | m.c.a. | 2 | 5 | - | 20 |
| | | | | 1 | 2240 | 605 | 1,75 | | | | | |
| | | | 3x400 V ~ | 3 | 2810 | 898 | 1,67 | | | | | |
| | | | 2 | 2740 | 840 | 1,47 | | | | | | |
| | | | 1 | 2260 | 603 | 1 | | | | | | |

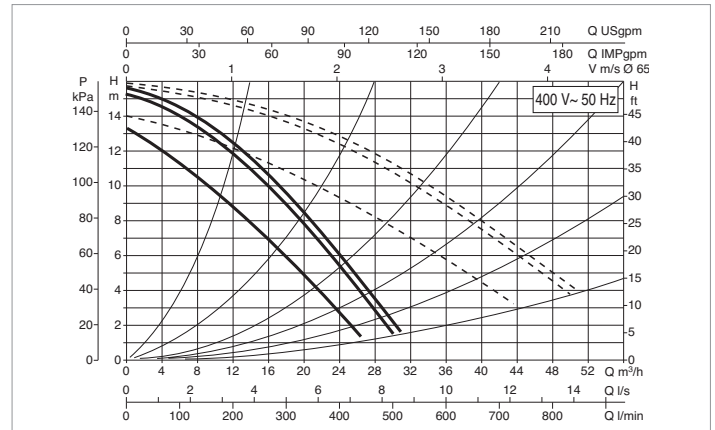
| MODEL | L | L1 | L2 | A | B | B1 | B2 | D | D1 | D2 | D3 | D4 | I | I1 | I2 | I3 | M | H | H1 | H2 | WEIGHT kg |
|------------------|-----|-----|-----|----|-----|----|-----|-----|-----|-----|----|----|-----|-----|-----|-----|-----|-----|-----|-----|-----------|
| DPH 120/280.50 T | 280 | 130 | 150 | 18 | 308 | 73 | 235 | 165 | 125 | 110 | 90 | 50 | 240 | 120 | 120 | 120 | M14 | 556 | 278 | 278 | 49 |

DPH 150/280.50 T - WET ROTOR CIRCULATORS FOR HEATING AND AIR CONDITIONING SYSTEMS - TWIN, FLANGED

Pumped liquid temperature range: from -10 °C to +110 °C - Maximum operating pressure: 10 bar (1000 kPa)



The performance curves are based on kinematic viscosity values = 1 mm²/s and density equal to 1000 kg/m³. Curve tolerance according to ISO 9906.

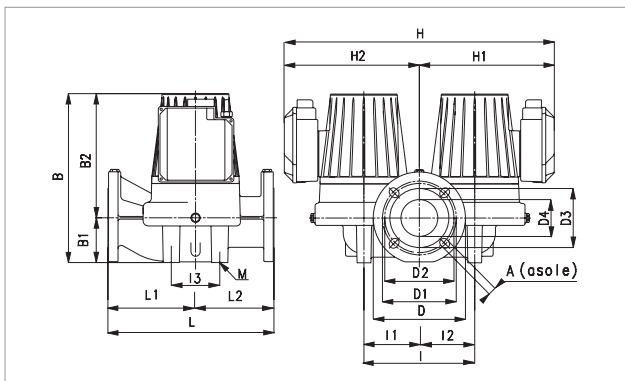


| MODEL | CENTRE DISTANCE mm | FLANGES ON REQUEST | ELECTRICAL DATA | | | | | MINIMUM SUCTION PRESSURE | | | | |
|------------------|--------------------|--------------------|-------------------|-------------|----------------------|----------------------|-------------------|--------------------------|-----|-----|------|------|
| | | | POWER INPUT 50 Hz | SPEED | REV. 1/min | P1 MAX W | In A | t° | 75° | 90° | 110° | 120° |
| | | | | | | | | | | | | |
| DPH 150/280.50 T | 280 | DN 50 - PN 10 | 3x230 V ~ | 2 1 | 2553 2420 | 1130 1032 | 3.22 3 | m.c.a. | 2 | 5 | - | 20 |
| | | | 3x400 V ~ | 3 2 1 | 2850 2802 2425 | 1470 1360 1030 | 2.9 2.5 1.7 | | | | | |

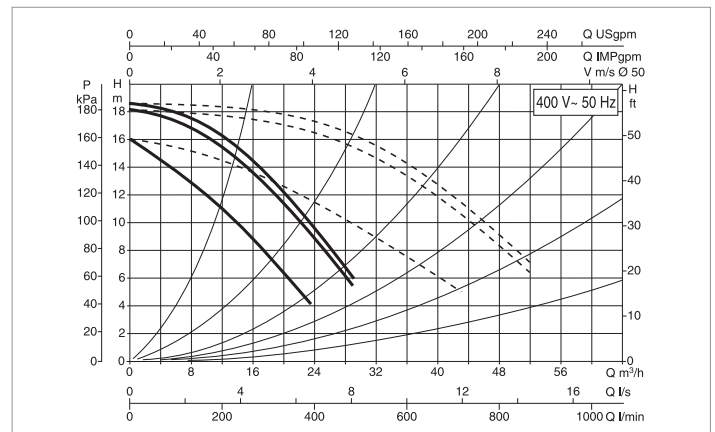
| MODEL | L | L1 | L2 | A | B | B1 | B2 | D | D1 | D2 | D3 | D4 | I | I1 | I2 | I3 | M | H | H1 | H2 | WEIGHT kg |
|------------------|-----|-----|-----|----|-----|----|-----|-----|-----|-----|----|----|-----|-----|-----|-----|-----|-----|-----|-----|-----------|
| DPH 150/280.50 T | 280 | 130 | 150 | 18 | 358 | 73 | 285 | 165 | 125 | 110 | 90 | 50 | 240 | 120 | 120 | 120 | M14 | 556 | 278 | 278 | 49 |

DPH 180/280.50 T - WET ROTOR CIRCULATORS FOR HEATING AND AIR CONDITIONING SYSTEMS - TWIN, FLANGED

Pumped liquid temperature range: from -10 °C to +110 °C - Maximum operating pressure: 10 bar (1000 kPa)



The performance curves are based on kinematic viscosity values = 1 mm²/s and density equal to 1000 kg/m³. Curve tolerance according to ISO 9906.

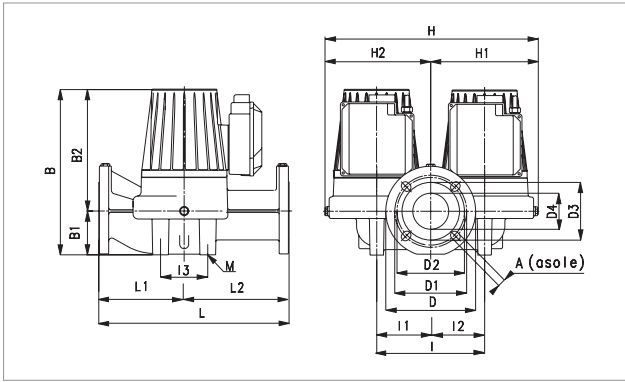


| MODEL | CENTRE DISTANCE mm | FLANGES ON REQUEST | ELECTRICAL DATA | | | | | MINIMUM SUCTION PRESSURE | | | | |
|------------------|--------------------|--------------------|-------------------|-------------|----------------------|----------------------|-------------------|--------------------------|-----|-----|------|------|
| | | | POWER INPUT 50 Hz | SPEED | REV. 1/min | P1 MAX W | In A | t° | 75° | 90° | 110° | 120° |
| | | | | | | | | | | | | |
| DPH 180/280.50 T | 280 | DN 50 - PN 10 | 3x230 V ~ | 2 1 | 2520 2340 | 1230 1120 | 3,5 3,2 | m.c.a. | 2 | 5 | - | 20 |
| | | | 3x400 V ~ | 3 2 1 | 2830 2780 2360 | 1630 1540 1130 | 3 2,70 1,85 | | | | | |

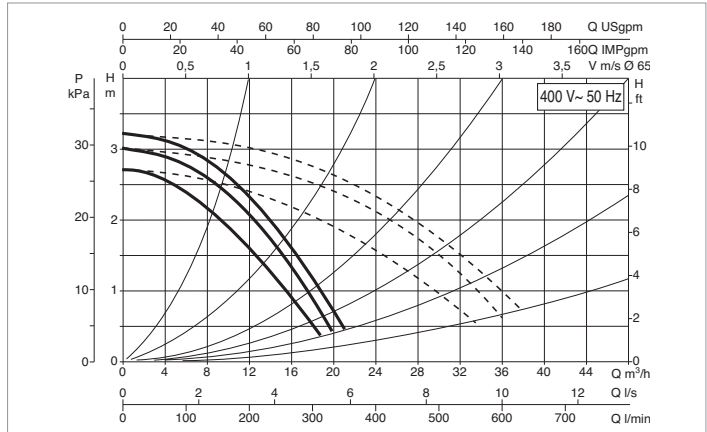
| MODEL | L | L1 | L2 | A | B | B1 | B2 | D | D1 | D2 | D3 | D4 | I | I1 | I2 | I3 | M | H | H1 | H2 | WEIGHT kg |
|------------------|-----|-----|-----|----|-----|----|-----|-----|-----|-----|----|----|-----|-----|-----|-----|-----|-----|-----|-----|-----------|
| DPH 180/280.50 T | 280 | 130 | 150 | 18 | 358 | 73 | 285 | 165 | 125 | 110 | 90 | 50 | 240 | 120 | 120 | 120 | M14 | 556 | 278 | 278 | 49 |

DMH 30/340.65 T- WET ROTOR CIRCULATORS FOR HEATING AND AIR CONDITIONING SYSTEMS - TWIN, FLANGED

Pumped liquid temperature range: from -10 °C to +120 °C - Maximum operating pressure: 10 bar (1000 kPa)



The performance curves are based on kinematic viscosity values = 1 mm²/s and density equal to 1000 kg/m³. Curve tolerance according to ISO 9906.

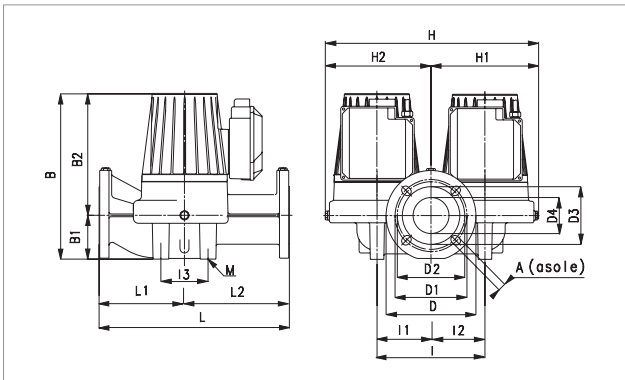


| MODEL | CENTRE DISTANCE mm | FLANGES ON REQUEST | ELECTRICAL DATA | | | | | MINIMUM SUCTION PRESSURE | | | | |
|-----------------|--------------------|--------------------|-------------------|-------|------------|----------|------|--------------------------|-----|-----|------|------|
| | | | POWER INPUT 50 Hz | SPEED | REV. 1/min | P1 MAX W | In A | t° | 75° | 90° | 110° | 120° |
| | | | | | | | | m.c.a. | 4 | 7.5 | - | 21 |
| DMH 30/340.65 T | 340 | DN 65 - PN 10 | 3x230 V ~ | 2 | 1360 | 170 | 0.73 | m.c.a. | 4 | 7.5 | - | 21 |
| | | | 3x400 V ~ | 1 | 1310 | 154 | 0.60 | | | | | |

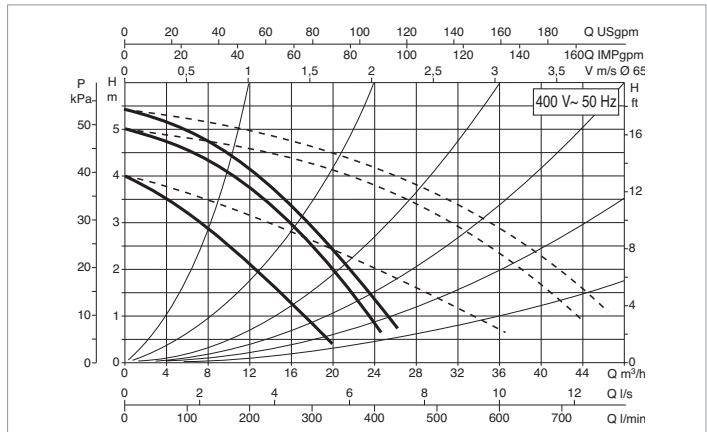
| MODEL | L | L1 | L2 | A | B | B1 | B2 | D | D1 | D2 | D3 | D4 | I | I1 | I2 | I3 | M | H | H1 | H2 | WEIGHT kg |
|-----------------|-----|-------|-------|----|-----|----|-----|-----|-----|-----|-----|----|-----|-----|-----|-----|-----|-----|-----|-----|-----------|
| DMH 30/340.65 T | 340 | 138,5 | 201,5 | 18 | 328 | 82 | 246 | 185 | 145 | 130 | 110 | 65 | 240 | 120 | 120 | 140 | M14 | 476 | 238 | 238 | 57 |

DMH 60/340.65 T - WET ROTOR CIRCULATORS FOR HEATING AND AIR CONDITIONING SYSTEMS - TWIN, FLANGED

Pumped liquid temperature range: from -10 °C to +120 °C - Maximum operating pressure: 10 bar (1000 kPa)



The performance curves are based on kinematic viscosity values = 1 mm²/s and density equal to 1000 kg/m³. Curve tolerance according to ISO 9906.

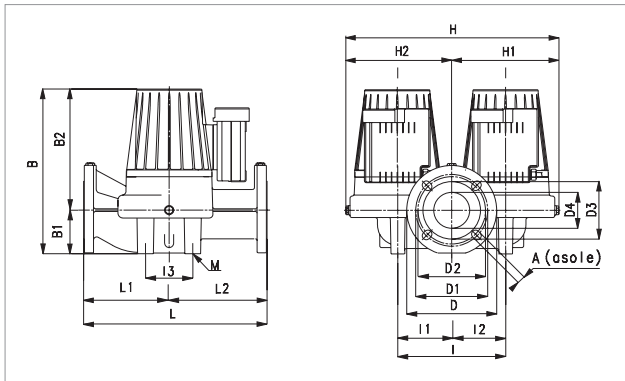


| MODEL | CENTRE DISTANCE mm | FLANGES ON REQUEST | ELECTRICAL DATA | | | | | MINIMUM SUCTION PRESSURE | | | | |
|-----------------|--------------------|--------------------|-------------------|-------|------------|----------|------|--------------------------|-----|-----|------|------|
| | | | POWER INPUT 50 Hz | SPEED | REV. 1/min | P1 MAX W | In A | t° | 75° | 90° | 110° | 120° |
| | | | | | | | | m.c.a. | 4 | 7.5 | - | 21 |
| DMH 60/340.65 T | 340 | DN 65 - PN 10 | 3x230 V ~ | 2 | 1170 | 295 | 1 | m.c.a. | 4 | 7.5 | - | 21 |
| | | | 3x400 V ~ | 1 | 1070 | 257 | 0.85 | | | | | |

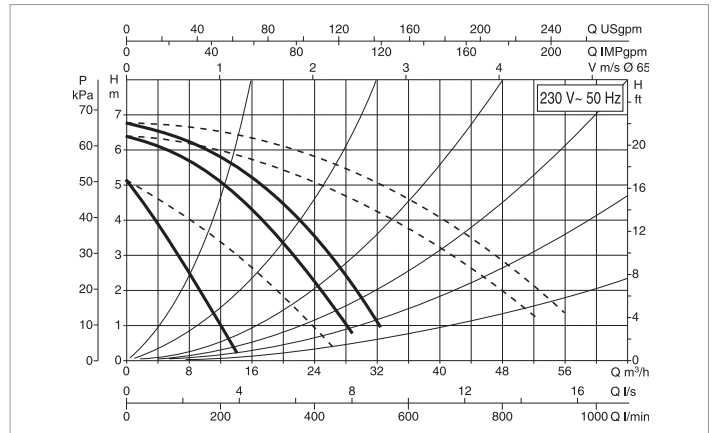
| MODEL | L | L1 | L2 | A | B | B1 | B2 | D | D1 | D2 | D3 | D4 | I | I1 | I2 | I3 | M | H | H1 | H2 | WEIGHT kg |
|-----------------|-----|-------|-------|----|-----|----|-----|-----|-----|-----|-----|----|-----|-----|-----|-----|-----|-----|-----|-----|-----------|
| DMH 60/340.65 T | 340 | 138,5 | 201,5 | 18 | 331 | 82 | 249 | 185 | 145 | 130 | 110 | 65 | 240 | 120 | 120 | 140 | M14 | 476 | 238 | 238 | 50 |

DPH 60/340.65 M - WET ROTOR CIRCULATORS FOR HEATING AND AIR CONDITIONING SYSTEMS - TWIN, FLANGED

Pumped liquid temperature range: from -10 °C to +110 °C - Maximum operating pressure: 10 bar (1000 kPa)



The performance curves are based on kinematic viscosity values = 1 mm²/s and density equal to 1000 kg/m³. Curve tolerance according to ISO 9906.

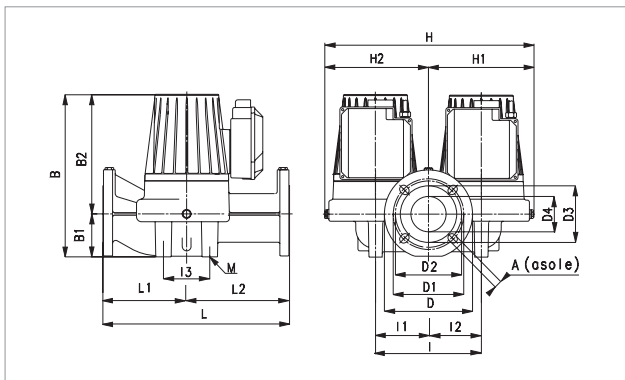


| MODEL | CENTRE DISTANCE mm | FLANGES ON REQUEST | ELECTRICAL DATA | | | | | MINIMUM SUCTION PRESSURE | | | | |
|-----------------|--------------------|--------------------|-------------------|-------|------------|----------|------|--------------------------|-----|-----|------|------|
| | | | POWER INPUT 50 Hz | SPEED | REV. 1/min | P1 MAX W | In A | t° | 75° | 90° | 110° | 120° |
| DPH 60/340.65 M | 340 | DN 65 - PN 10 | - | - | - | - | - | m.c.a. | 1 | 4 | 13 | - |
| | | | 1x230 V ~ | 3 | 2780 | 735 | 3.37 | | | | | |
| | | | | 2 | 2580 | 685 | 3.13 | | | | | |
| | | | 1 | 1460 | 564 | 3.12 | | | | | | |

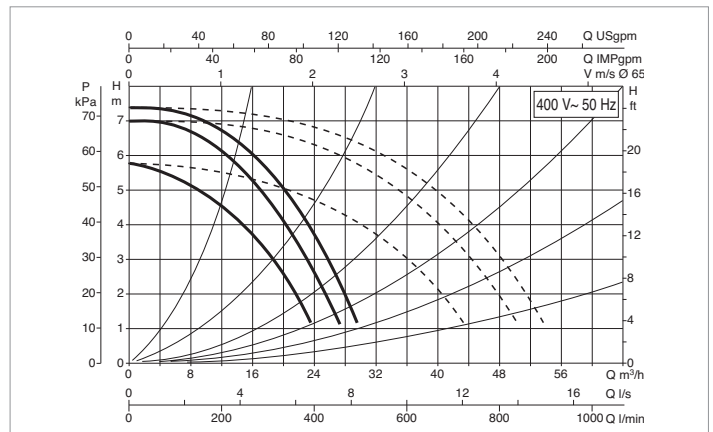
| MODEL | L | L1 | L2 | A | B | B1 | B2 | D | D1 | D2 | D3 | D4 | I | I1 | I2 | I3 | M | H | H1 | H2 | WEIGHT kg |
|-----------------|-----|-------|-------|----|-----|----|-----|-----|-----|-----|-----|----|-----|-----|-----|-----|-----|-----|-----|-----|-----------|
| DPH 60/340.65 M | 340 | 138,5 | 201,5 | 18 | 331 | 82 | 249 | 185 | 145 | 130 | 110 | 65 | 240 | 120 | 120 | 140 | M14 | 476 | 238 | 238 | 50 |

DPH 60/340.65 T - WET ROTOR CIRCULATORS FOR HEATING AND AIR CONDITIONING SYSTEMS - TWIN, FLANGED

Pumped liquid temperature range: from -10 °C to +120 °C - Maximum operating pressure: 10 bar (1000 kPa)



The performance curves are based on kinematic viscosity values = 1 mm²/s and density equal to 1000 kg/m³. Curve tolerance according to ISO 9906.

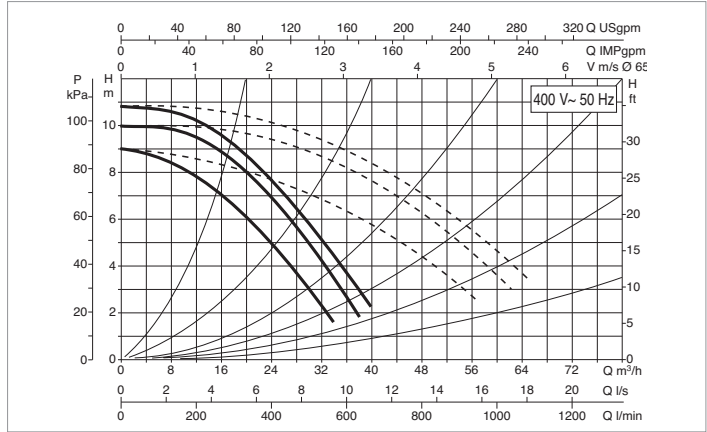
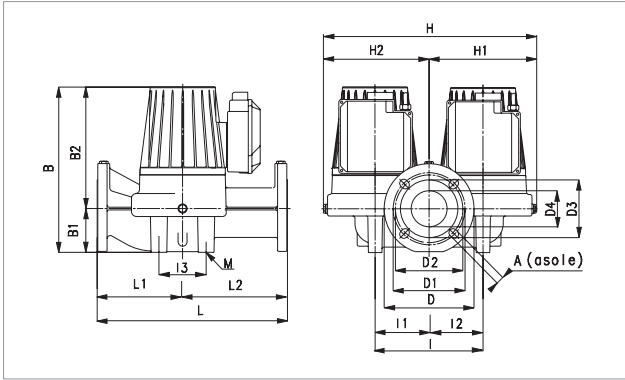


| MODEL | CENTRE DISTANCE mm | FLANGES ON REQUEST | ELECTRICAL DATA | | | | | MINIMUM SUCTION PRESSURE | | | | |
|-----------------|--------------------|--------------------|-------------------|-------|------------|----------|------|--------------------------|-----|-----|------|------|
| | | | POWER INPUT 50 Hz | SPEED | REV. 1/min | P1 MAX W | In A | t° | 75° | 90° | 110° | 120° |
| DPH 60/340.65 T | 340 | DN 65 - PN 10 | 3x230 V ~ | 2 | 2550 | 582 | 1.67 | m.c.a. | 1 | 4 | - | 18 |
| | | | | 1 | 2380 | 532 | 1.53 | | | | | |
| | | | 3x400 V ~ | 3 | 2850 | 756 | 1.5 | | | | | |
| | | | 2 | 2800 | 705 | 1.3 | | | | | | |
| | | | 1 | 2400 | 535 | 0.9 | | | | | | |

| MODEL | L | L1 | L2 | A | B | B1 | B2 | D | D1 | D2 | D3 | D4 | I | I1 | I2 | I3 | M | H | H1 | H2 | WEIGHT kg |
|-----------------|-----|-------|-------|----|-----|----|-----|-----|-----|-----|-----|----|-----|-----|-----|-----|-----|-----|-----|-----|-----------|
| DPH 60/340.65 T | 340 | 138,5 | 201,5 | 18 | 331 | 82 | 249 | 185 | 145 | 130 | 110 | 65 | 240 | 120 | 120 | 140 | M14 | 476 | 238 | 238 | 54,5 |

DPH 120/340.65 T - WET ROTOR CIRCULATORS FOR HEATING AND AIR CONDITIONING SYSTEMS - TWIN, FLANGED

Pumped liquid temperature range: from -10 °C to +110 °C - Maximum operating pressure: 10 bar (1000 kPa)



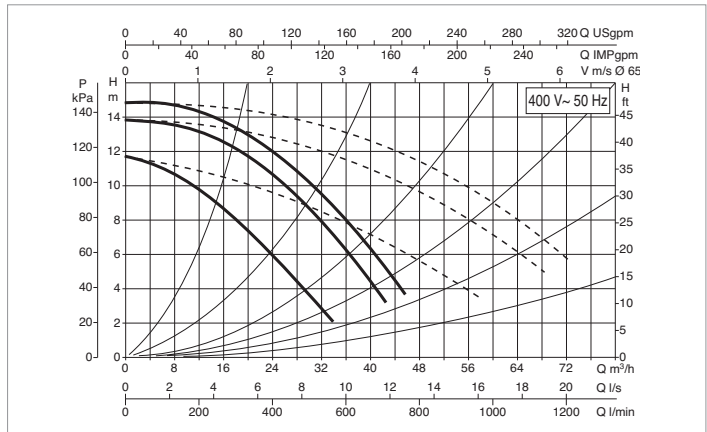
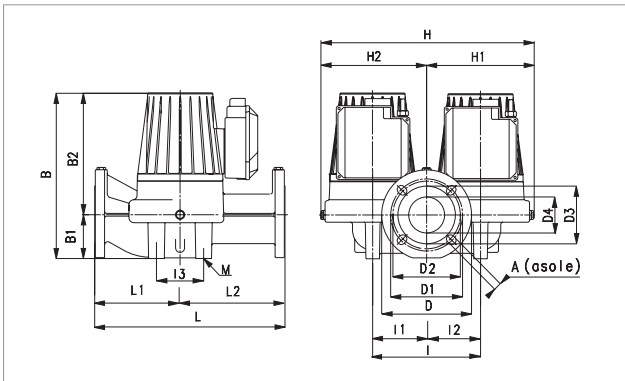
The performance curves are based on kinematic viscosity values = 1 mm²/s and density equal to 1000 kg/m³. Curve tolerance according to ISO 9906.

| MODEL | CENTRE DISTANCE mm | FLANGES ON REQUEST | ELECTRICAL DATA | | | | | MINIMUM SUCTION PRESSURE | | | | |
|------------------|--------------------|--------------------|-------------------|-------|------------|----------|------|--------------------------|-----|-----|------|------|
| | | | POWER INPUT 50 Hz | SPEED | REV. 1/min | P1 MAX W | In A | t° | 75° | 90° | 110° | 120° |
| DPH 120/340.65 T | 340 | DN 65 - PN 10 | 3x230 V ~ | 2 | 2630 | 1001 | 2.85 | m.c.a. | 6 | 9 | - | 22 |
| | | | 1 | 2500 | 940 | 2.66 | | | | | | |
| DPH 120/340.65 T | 340 | DN 65 - PN 10 | 3x400 V ~ | 3 | 2880 | 1275 | 2.64 | m.c.a. | 6 | 9 | - | 22 |
| | | | | 2 | 2830 | 1200 | 2.25 | | | | | |
| | | | | 1 | 2520 | 934 | 1.52 | | | | | |

| MODEL | L | L1 | L2 | A | B | B1 | B2 | D | D1 | D2 | D3 | D4 | I | I1 | I2 | I3 | M | H | H1 | H2 | WEIGHT kg |
|------------------|-----|-------|-------|----|-----|----|-----|-----|-----|-----|-----|----|-----|-----|-----|-----|-----|-----|-----|-----|-----------|
| DPH 120/340.65 T | 340 | 138,5 | 201,5 | 18 | 381 | 82 | 299 | 185 | 145 | 130 | 110 | 65 | 240 | 120 | 120 | 140 | M14 | 476 | 238 | 238 | 59 |

DPH 150/340.65 T - WET ROTOR CIRCULATORS FOR HEATING AND AIR CONDITIONING SYSTEMS - TWIN, FLANGED

Pumped liquid temperature range: from -10 °C to +110 °C - Maximum operating pressure: 10 bar (1000 kPa)



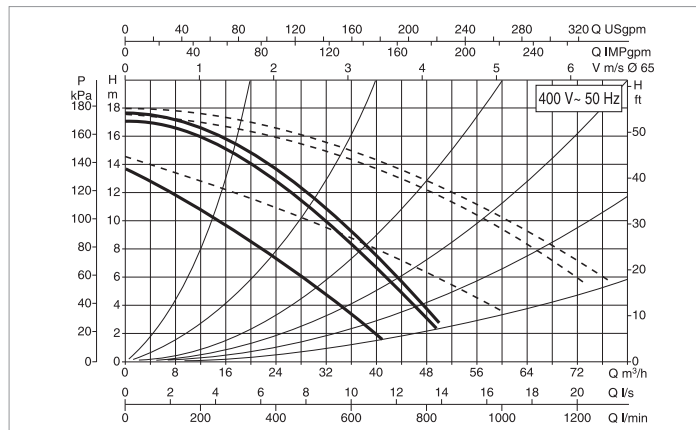
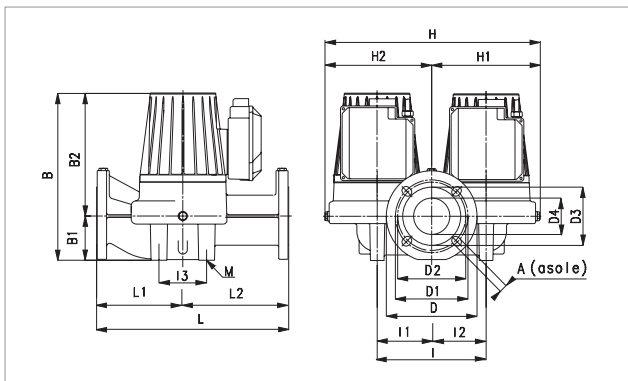
The performance curves are based on kinematic viscosity values = 1 mm²/s and density equal to 1000 kg/m³. Curve tolerance according to ISO 9906.

| MODEL | CENTRE DISTANCE mm | FLANGES ON REQUEST | ELECTRICAL DATA | | | | | MINIMUM SUCTION PRESSURE | | | | |
|------------------|--------------------|--------------------|-------------------|-------|------------|----------|------|--------------------------|-----|-----|------|------|
| | | | POWER INPUT 50 Hz | SPEED | REV. 1/min | P1 MAX W | In A | t° | 75° | 90° | 110° | 120° |
| DPH 150/340.65 T | 340 | DN 65 - PN 10 | 3x230 V ~ | 2 | 2410 | 1345 | 3.8 | m.c.a. | 7 | 11 | 18 | - |
| | | | 1 | 2250 | 1188 | 3.36 | | | | | | |
| DPH 150/340.65 T | 340 | DN 65 - PN 10 | 3x400 V ~ | 3 | 2800 | 1796 | 3.25 | m.c.a. | 7 | 11 | 18 | - |
| | | | | 2 | 2730 | 1690 | 2.93 | | | | | |
| | | | | 1 | 2250 | 1210 | 2 | | | | | |

| MODEL | L | L1 | L2 | A | B | B1 | B2 | D | D1 | D2 | D3 | D4 | I | I1 | I2 | I3 | M | H | H1 | H2 | WEIGHT kg |
|------------------|-----|-------|-------|----|-----|----|-----|-----|-----|-----|-----|----|-----|-----|-----|-----|-----|-----|-----|-----|-----------|
| DPH 150/340.65 T | 340 | 138,5 | 201,5 | 18 | 381 | 82 | 299 | 185 | 145 | 130 | 110 | 65 | 240 | 120 | 120 | 140 | M14 | 476 | 238 | 238 | 59 |

DPH 180/340.65 T - WET ROTOR CIRCULATORS FOR HEATING AND AIR CONDITIONING SYSTEMS - TWIN, FLANGED

Pumped liquid temperature range: from -10 °C to +110 °C - Maximum operating pressure: 10 bar (1000 kPa)



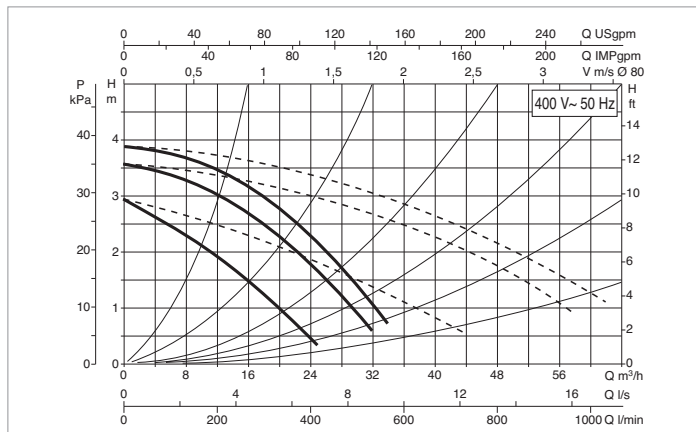
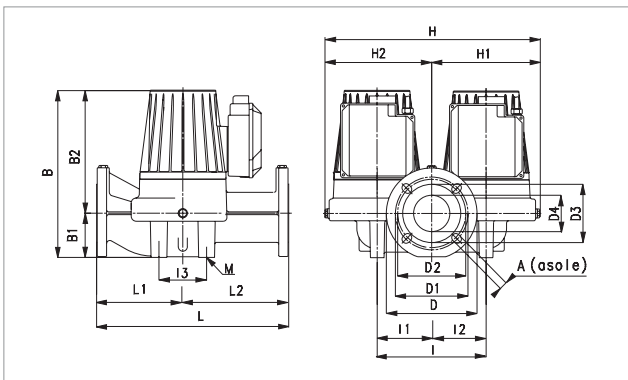
The performance curves are based on kinematic viscosity values = 1 mm²/s and density equal to 1000 kg/m³. Curve tolerance according to ISO 9906.

| MODEL | CENTRE DISTANCE mm | FLANGES ON REQUEST | ELECTRICAL DATA | | | | | MINIMUM SUCTION PRESSURE | | | | |
|------------------|--------------------|--------------------|-------------------|-------|------------|----------|------|--------------------------|-----|-----|------|------|
| | | | POWER INPUT 50 Hz | SPEED | REV. 1/min | P1 MAX W | In A | t° | 75° | 90° | 110° | 120° |
| DPH 180/340.65 T | 340 | DN 65 - PN 10 | 3x230 V ~ | 2 | 2380 | 1670 | 4,7 | m.c.a. | 7 | 11 | 18 | - |
| | | | | 1 | 2170 | 1490 | 4,25 | | | | | |
| DPH 180/340.65 T | 340 | DN 65 - PN 10 | 3x400 V ~ | 3 | 2780 | 2310 | 4 | m.c.a. | 7 | 11 | 18 | - |
| | | | | 2 | 2700 | 2210 | 3,5 | | | | | |
| | | | | 1 | 2200 | 1490 | 2,4 | | | | | |

| MODEL | L | L1 | L2 | A | B | B1 | B2 | D | D1 | D2 | D3 | D4 | I | I1 | I2 | I3 | M | H | H1 | H2 | WEIGHT kg |
|------------------|-----|-------|-------|----|-----|----|-----|-----|-----|-----|-----|----|-----|-----|-----|-----|-----|-----|-----|-----|-----------|
| DPH 180/340.65 T | 340 | 138,5 | 201,5 | 18 | 381 | 82 | 299 | 185 | 145 | 130 | 110 | 65 | 240 | 120 | 120 | 140 | M14 | 476 | 238 | 238 | 59 |

DMH 30/360.80 T - WET ROTOR CIRCULATORS FOR HEATING AND AIR CONDITIONING SYSTEMS - TWIN, FLANGED

Pumped liquid temperature range: from -10 °C to +120 °C - Maximum operating pressure: 10 bar (1000 kPa)



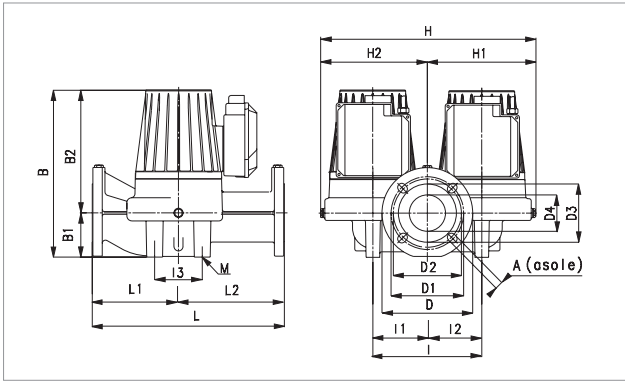
The performance curves are based on kinematic viscosity values = 1 mm²/s and density equal to 1000 kg/m³. Curve tolerance according to ISO 9906.

| MODEL | CENTRE DISTANCE mm | FLANGES ON REQUEST | ELECTRICAL DATA | | | | | MINIMUM SUCTION PRESSURE | | | | |
|-----------------|--------------------|--------------------|-------------------|-------|------------|----------|------|--------------------------|-----|-----|------|------|
| | | | POWER INPUT 50 Hz | SPEED | REV. 1/min | P1 MAX W | In A | t° | 75° | 90° | 110° | 120° |
| DMH 30/360.80 T | 360 | DN 80 - PN 10 | 3x230 V ~ | 2 | 1110 | 313 | 1,05 | m.c.a. | 4 | 7,5 | - | 21 |
| | | | | 1 | 1010 | 268 | 0,88 | | | | | |
| DMH 30/360.80 T | 360 | DN 80 - PN 10 | 3x400 V ~ | 3 | 1370 | 484 | 1,23 | m.c.a. | 4 | 7,5 | - | 21 |
| | | | | 2 | 1330 | 437 | 1 | | | | | |
| | | | | 1 | 1030 | 266 | 0,51 | | | | | |

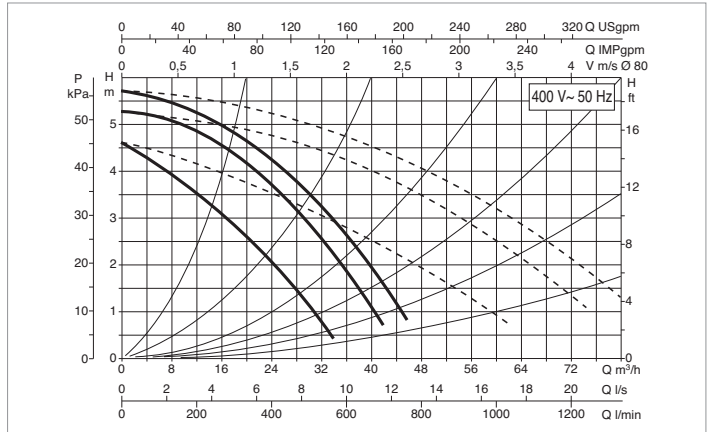
| MODEL | L | L1 | L2 | A | B | B1 | B2 | D | D1 | D2 | D3 | D4 | I | I1 | I2 | I3 | M | H | H1 | H2 | WEIGHT kg |
|-----------------|-----|-----|-----|----|-----|----|-----|-----|-----|-----|-----|----|-----|-----|-----|-----|-----|-----|-----|-----|-----------|
| DMH 30/360.80 T | 360 | 160 | 200 | 18 | 345 | 97 | 248 | 200 | 160 | 150 | 130 | 80 | 240 | 120 | 120 | 150 | M14 | 480 | 240 | 240 | 54,5 |

DMH 60/360.80 T - WET ROTOR CIRCULATORS FOR HEATING AND AIR CONDITIONING SYSTEMS - TWIN, FLANGED

Pumped liquid temperature range: from -10 °C to +120 °C - Maximum operating pressure: 10 bar (1000 kPa)



The performance curves are based on kinematic viscosity values = 1 mm²/s and density equal to 1000 kg/m³. Curve tolerance according to ISO 9906.

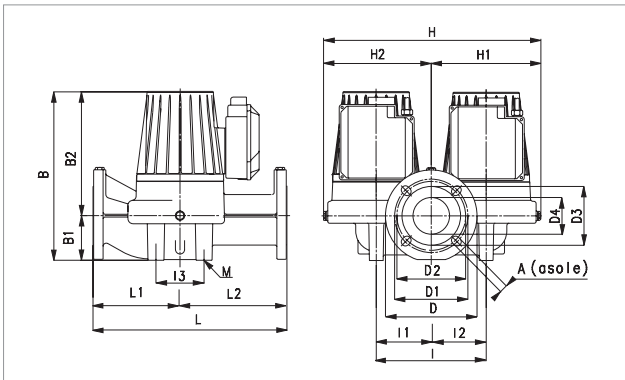


| MODEL | CENTRE DISTANCE mm | FLANGES ON REQUEST | ELECTRICAL DATA | | | | | MINIMUM SUCTION PRESSURE | | | | |
|-----------------|--------------------|--------------------|-------------------|-------|------------|----------|------|--------------------------|-----|-----|------|------|
| | | | POWER INPUT 50 Hz | SPEED | REV. 1/min | P1 MAX W | In A | t° | 75° | 90° | 110° | 120° |
| DMH 60/360.80 T | 360 | DN 80 - PN 10 | 3x230 V ~ | 2 | 1180 | 535 | 1.82 | m.c.a. | 2 | 5 | - | 20 |
| | | | 3x400 V ~ | 1 | 1100 | 465 | 1.55 | | | | | |

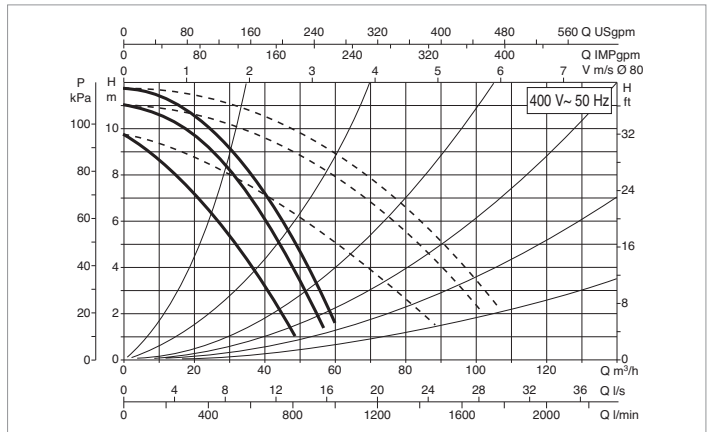
| MODEL | L | L1 | L2 | A | B | B1 | B2 | D | D1 | D2 | D3 | D4 | I | I1 | I2 | I3 | M | H | H1 | H2 | WEIGHT kg |
|-----------------|-----|-----|-----|----|-----|----|-----|-----|-----|-----|-----|----|-----|-----|-----|-----|-----|-----|-----|-----|-----------|
| DMH 60/360.80 T | 360 | 160 | 200 | 18 | 390 | 97 | 298 | 200 | 160 | 150 | 130 | 80 | 240 | 120 | 120 | 150 | M14 | 480 | 240 | 240 | 72 |

DPH 120/360.80 T - WET ROTOR CIRCULATORS FOR HEATING AND AIR CONDITIONING SYSTEMS - TWIN, FLANGED

Pumped liquid temperature range: from -10 °C to +120 °C - Maximum operating pressure: 10 bar (1000 kPa)



The performance curves are based on kinematic viscosity values = 1 mm²/s and density equal to 1000 kg/m³. Curve tolerance according to ISO 9906.

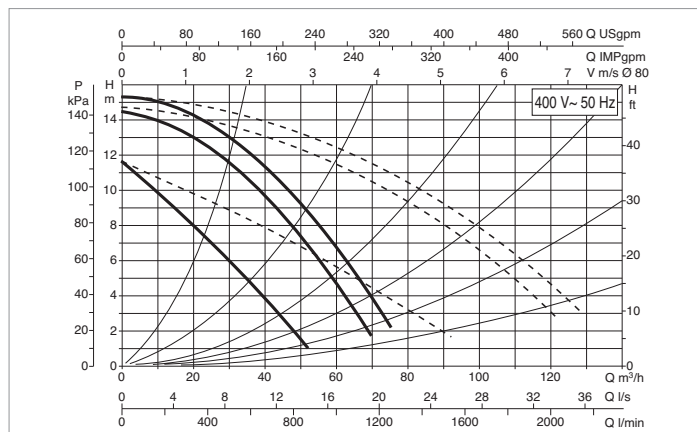
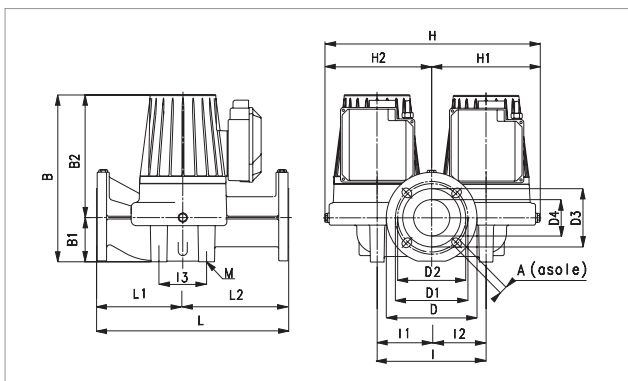


| MODEL | CENTRE DISTANCE mm | FLANGES ON REQUEST | ELECTRICAL DATA | | | | | MINIMUM SUCTION PRESSURE | | | | |
|------------------|--------------------|--------------------|-------------------|-------|------------|----------|------|--------------------------|-----|-----|------|------|
| | | | POWER INPUT 50 Hz | SPEED | REV. 1/min | P1 MAX W | In A | t° | 75° | 90° | 110° | 120° |
| DPH 120/360.80 T | 360 | DN 80 - PN 10 | 3x230 V ~ | 2 | 2500 | 1410 | 3.95 | m.c.a. | 6 | 10 | - | 22 |
| | | | 3x400 V ~ | 1 | 2340 | 1292 | 3.6 | | | | | |

| MODEL | L | L1 | L2 | A | B | B1 | B2 | D | D1 | D2 | D3 | D4 | I | I1 | I2 | I3 | M | H | H1 | H2 | WEIGHT kg |
|------------------|-----|-----|-----|----|-----|----|-----|-----|-----|-----|-----|----|-----|-----|-----|-----|-----|-----|-----|-----|-----------|
| DPH 120/360.80 T | 360 | 160 | 200 | 18 | 390 | 97 | 298 | 200 | 160 | 150 | 130 | 80 | 240 | 120 | 120 | 150 | M14 | 480 | 240 | 240 | 72 |

DPH 150/360.80 T - WET ROTOR CIRCULATORS FOR HEATING AND AIR CONDITIONING SYSTEMS - TWIN, FLANGED

Pumped liquid temperature range: from -10 °C to +110 °C - Maximum operating pressure: 10 bar (1000 kPa)



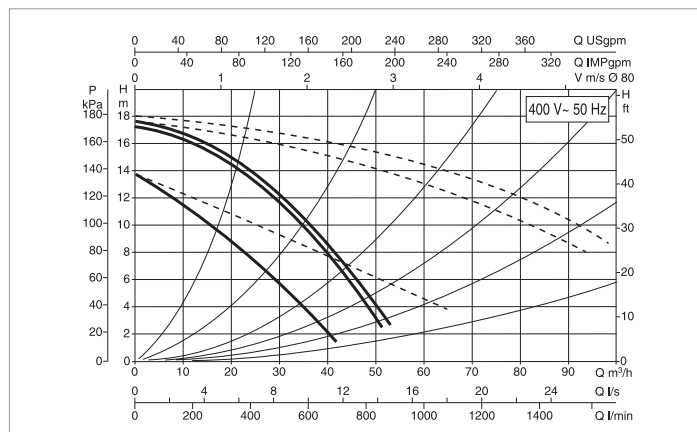
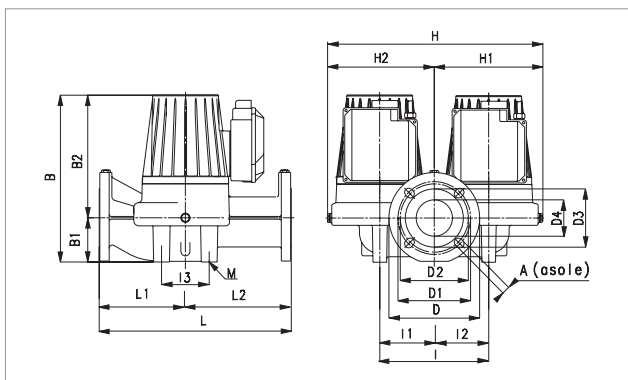
The performance curves are based on kinematic viscosity values = 1 mm²/s and density equal to 1000 kg/m³. Curve tolerance according to ISO 9906.

| MODEL | CENTRE DISTANCE mm | FLANGES ON REQUEST | ELECTRICAL DATA | | | | | MINIMUM SUCTION PRESSURE | | | | |
|------------------|--------------------|--------------------|-------------------|-------|------------|----------|------|--------------------------|-----|-----|------|------|
| | | | POWER INPUT 50 Hz | SPEED | REV. 1/min | P1 MAX W | In A | t° | 75° | 90° | 110° | 120° |
| DPH 150/360.80 T | 360 | DN 80 - PN 10 | 3x230 V ~ | 2 | 2140 | 1984 | 5.62 | m.c.a. | 7 | 11 | 18 | - |
| | | | 1 | 1900 | 1695 | 4.82 | | | | | | |
| | | | 3x400 V ~ | 3 | 2710 | 2870 | 4.64 | | | | | |
| | | | 2 | 2610 | 2686 | 4.32 | | | | | | |
| | | | 1 | 1940 | 1710 | 2.85 | | | | | | |

| MODEL | L | L1 | L2 | A | B | B1 | B2 | D | D1 | D2 | D3 | D4 | I | I1 | I2 | I3 | M | H | H1 | H2 | WEIGHT kg |
|------------------|-----|-----|-----|----|-----|----|-----|-----|-----|-----|-----|----|-----|-----|-----|-----|-----|-----|-----|-----|-----------|
| DPH 150/360.80 T | 360 | 160 | 200 | 18 | 390 | 97 | 298 | 200 | 160 | 150 | 130 | 80 | 240 | 120 | 120 | 150 | M14 | 480 | 240 | 240 | 72 |

DPH 180/360.80 T - WET ROTOR CIRCULATORS FOR HEATING AND AIR CONDITIONING SYSTEMS - TWIN, FLANGED

Pumped liquid temperature range: from -10 °C to +110 °C - Maximum operating pressure: 10 bar (1000 kPa)



The performance curves are based on kinematic viscosity values = 1 mm²/s and density equal to 1000 kg/m³. Curve tolerance according to ISO 9906.

| MODEL | CENTRE DISTANCE mm | FLANGES ON REQUEST | ELECTRICAL DATA | | | | | MINIMUM SUCTION PRESSURE | | | | |
|------------------|--------------------|--------------------|-------------------|-------|------------|----------|------|--------------------------|-----|-----|------|------|
| | | | POWER INPUT 50 Hz | SPEED | REV. 1/min | P1 MAX W | In A | t° | 75° | 90° | 110° | 120° |
| DPH 180/360.80 T | 360 | DN 80 - PN 10 | 3x230 V ~ | 2 | 2380 | 1670 | 4.7 | m.c.a. | 7 | 11 | 18 | - |
| | | | 1 | 2170 | 1490 | 4.25 | | | | | | |
| | | | 3x400 V ~ | 3 | 2780 | 2310 | 4 | | | | | |
| | | | 2 | 2700 | 2210 | 3.5 | | | | | | |
| | | | 1 | 2200 | 1490 | 2.4 | | | | | | |

| MODEL | L | L1 | L2 | A | B | B1 | B2 | D | D1 | D2 | D3 | D4 | I | I1 | I2 | I3 | M | H | H1 | H2 | WEIGHT kg |
|------------------|-----|-----|-----|----|-----|----|-----|-----|-----|-----|-----|----|-----|-----|-----|-----|-----|-----|-----|-----|-----------|
| DPH 180/360.80 T | 360 | 160 | 200 | 18 | 390 | 97 | 298 | 200 | 160 | 150 | 130 | 80 | 240 | 120 | 120 | 150 | M14 | 480 | 240 | 240 | 72 |